



HYDROTAP G5 BCSHA CELSIUS PLUS ALL-IN-ONE CHROME



BOILING



CHILLED



SPARKLING



HOT & AMBIENT

FILTERED

UNFILTERED

Order Code H5M783Z00AU

Zip HydroTap Design Range CELSIUS PLUS All-In-One Boiling, Chilled & Sparkling Filtered water, plus Hot and Cold washing up water from a single tap (hot and cold water supply required). The intuitive touch-pad with antimicrobial protection operates the filtered drinking water, while the lever dispenses unfiltered hot and cold water. Enhanced sparkling water delivery every time with an optimised aerator hidden inside the elegant spout of the tap. The system features a single under bench command centre including full colour interactive touch screen display with pin code protection and customisable settings including boiling water safety mode, 3 energy saving modes including ON/OFF timers and 2 hour sleep mode, 'Quiet' mode with automated intelligent fan speed adjustment, antimicrobial protection impregnated into key water paths for enhanced hygiene, 100% water efficient air cooled technology, 0.2 micron water filtration, and 2 disposable CO2 cylinders.

This product is available from selected specialist retailers. Click the "Find your Specialist Retailer" link to find your local showroom.

| | |
|--------------------|-------------|
| Manufacturing Code | H5M783Z00AU |
| Capacity | Residential |

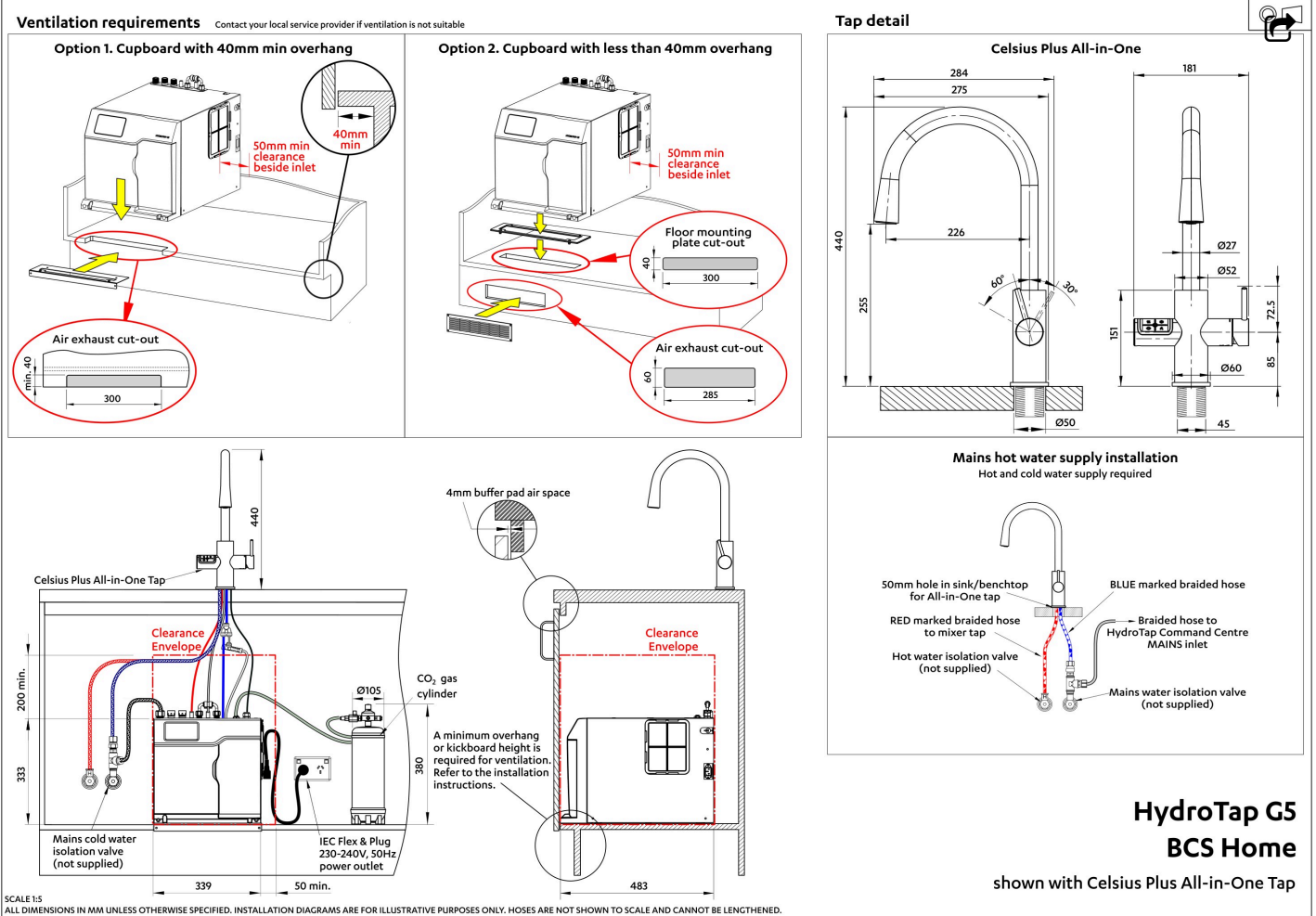


| | |
|----------------------------------|--|
| Tap | Zip HydroTap Design Range CELSIUS PLUS All-In-One (Chrome) |
| Water Pressure | Min 250kPa - Max 700kPa |
| Water Connection | 1/2" BSP (G1/2) |
| Water Supply Requirements | Cold and Hot |
| Water Valves | Integrated 500kPa Pressure limiting valve and Dual Check Valve |
| Power Rating | 1.8kW 220-240V 50Hz |
| Power Supply | 1 x 10 Amp socket outlet |
| Dimensions | W339mm x D483mm x H333mm |
| Product Approvals | WaterMark, RCM, ARC |
| Wels Rating | 5 Star, 6.0 litres |
| Warranty | 5 years (appliance warranty 36 months plus additional 24 months tank warranty) |

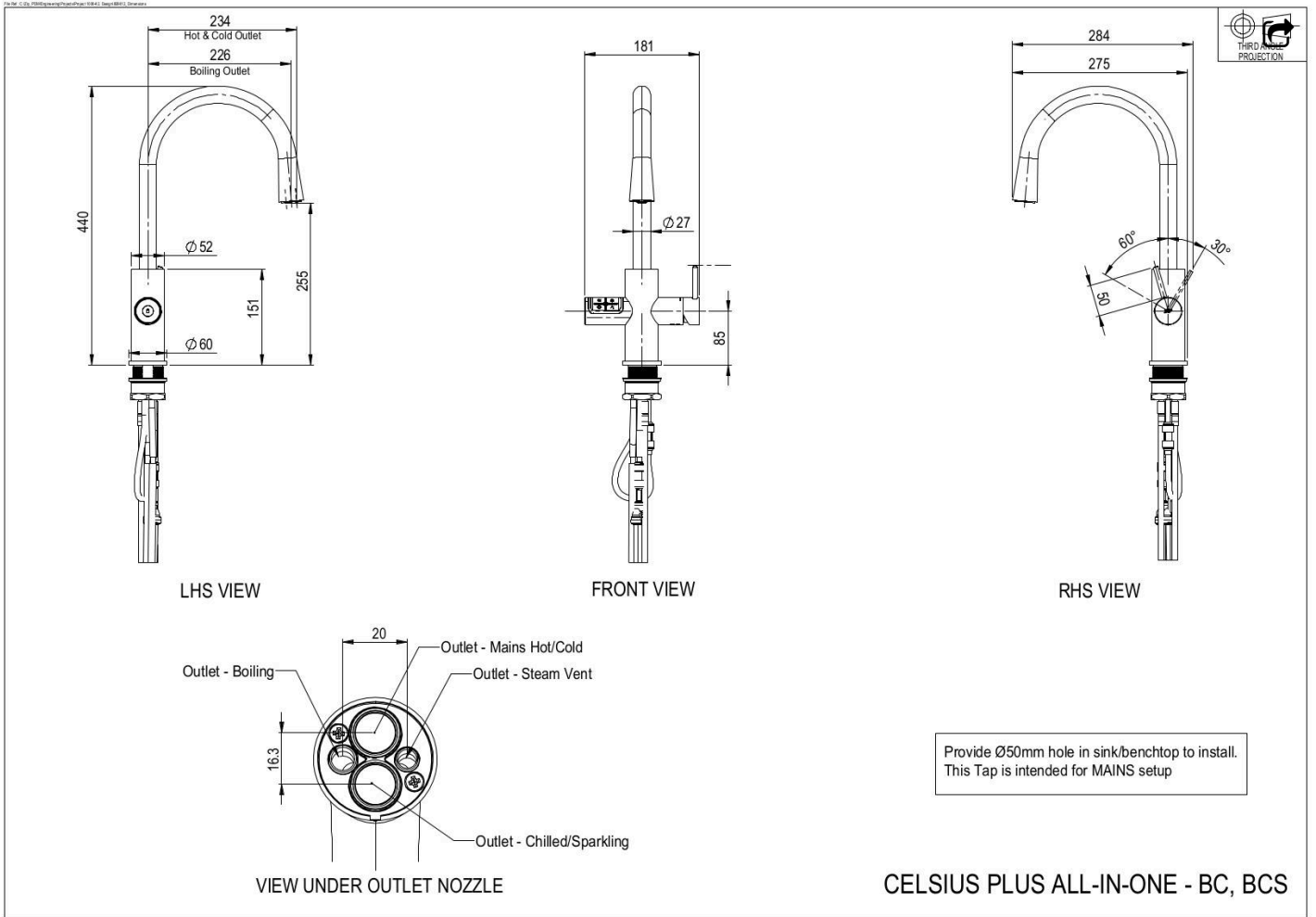
Installation Requirements

1. Installation and connection of your Zip HydroTap must be carried out by a qualified person, observing national and local regulations.
 2. You will require suitable mains electrical and drinking water connections, plus waste water drainage all within 1.5 metres of the product.
 3. **Discrete cabinetry cut outs are required for airflow. 40mm minimum clearance on cupboard base overhang required otherwise alternative installation options are available.**
 4. Installation on most bench tops is straightforward however some stone bench tops may require a specialised cutting service.
 5. If you live in a hard water area, we recommend installation of a Zip scale filtration kit.
 6. Installation by Zip Professional Service can be arranged with a phone call or through www.zipwater.com/book-service-visit
-

Installation Detail



Tap Detail



809613, 809612