

**Series 4, Slideout rangehood, 90 cm,  
Silver metallic  
DFS097A51A**



**Optional accessories**

DSZ4920 : Installation kit for 90cm wide wall unit

**Slideout rangehood: barely visible  
integrated in the wall unit, this ensures a  
sleek and clear kitchen finish.**

- **EcoSilence Drive™**: the powerful, energy-saving drive for hoods.
- **LED lighting**: for perfect, energy-efficient illumination of the cooktop.
- **Intensive speed setting**: removes strong kitchen odours especially quickly and effectively.
- With exhaust, the air is cleaned by a grease filter and then ducted to the outside which ensures optimal kitchen air quality.
- Dishwasher-safe metal grease filters for easy cleaning.

**Technical Data**

Typology : Pull-out

Approval certificates : Australia Standards, VDE

Length electrical supply cord : 175 cm

Min. required niche size for installation (HxWxD) : 385mm x 524.0mm x 290mm mm

Minimum distance above an electric cooktop : 430 mm

Minimum distance above a gas cooktop : 650 mm

Net weight : 12.5 kg

Type of control : Electronic

Number of power settings : 3-stages + intensive setting

Maximum output air extraction : 397 m<sup>3</sup>/h

Boost position output recirculating : 628 m<sup>3</sup>/h

Maximum output recirculating air : 358 m<sup>3</sup>/h

Boost position air extraction : 729 m<sup>3</sup>/h

Number of lights : 3

Noise level : 53 dB(A) re 1 pW

Diameter of air outlet : 120 / 150 mm

Grease filter material : Washable stainless steel

EAN code : 4242005252459

Connection Rating : 146 W

Fuse protection : 10 A

Voltage : 220-240 V

Frequency : 50; 60 Hz

Plug type : AU plug

Installation type : Built-in



## Series 4, Slideout rangehood, 90 cm, Silver metallic DFS097A51A

**Slideout rangehood: barely visible integrated in the wall unit, this ensures a sleek and clear kitchen finish.**

### Planning and installation information

- Appliance dimensions (HxWxD): 426 x 898 x 290 mm
- Easy installation system
- Install into a 60cm cupboard (or 90cm with optional accessory)
- Built-in dimensions (HxWxD): 385 x 524 x 290 mm
- Diameter pipe  $\varnothing$  150 mm ( $\varnothing$  120 mm enclosed)
- Electrical cable length 1.75 m

### Variant

- Appliance width: 898 mm
- Ducted and recirculated-air operation
- Accessory required for recirculation mode: Standard recirculation kit

### Design

- Appliance colour: Steel body, metallic finish

### Comfort

- Electronic controls with low-lift push buttons
- Push button controls (3 power settings plus intensive setting) with Electronic display
- 3 power settings plus intensive setting
- Intensive operation automatic revert - 6min
- Automatic run on - 10 min
- 3 x 1.5W LED
- Colour Temperature: 3500 K
- Light Intensity: 355 lux

### Cleaning

- Stainless steel filter covers, dishwasher safe

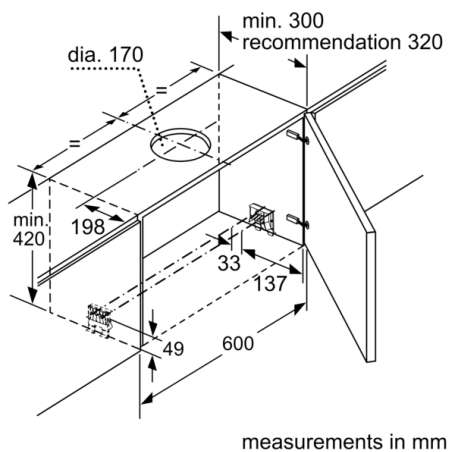
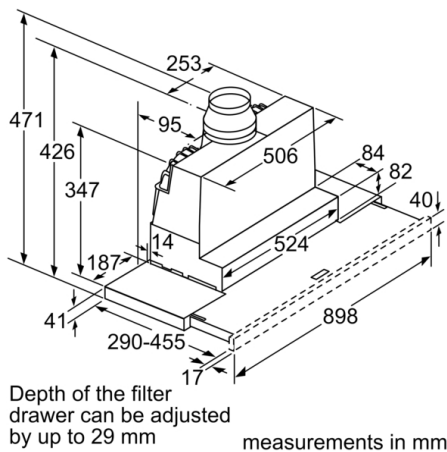
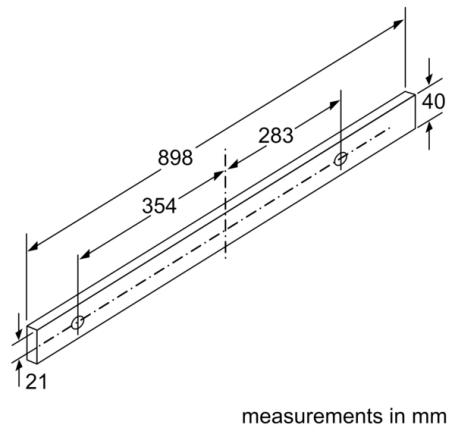
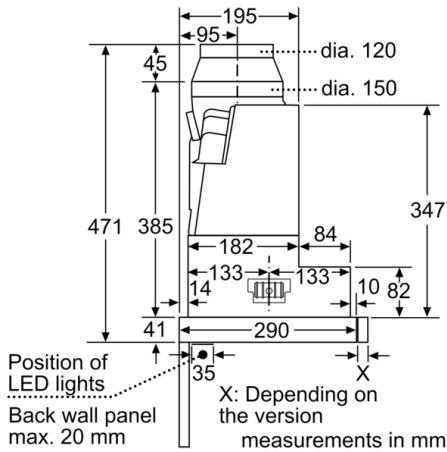
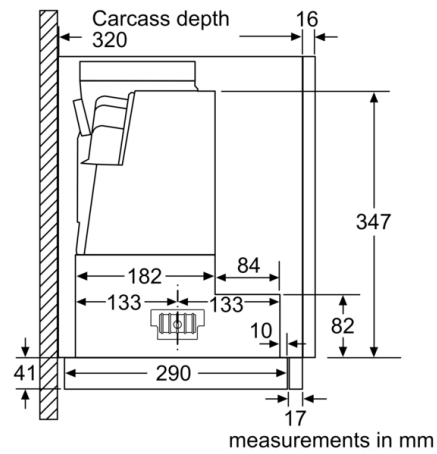
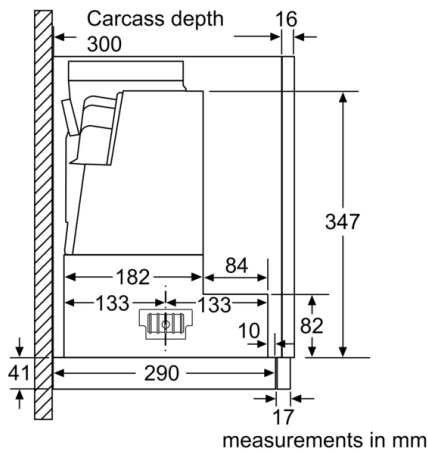
### Performance

- Extraction rate according to EN 61591  $\varnothing$  15 cm:  
max. Normal use: 397 m<sup>3</sup>/h  
Intensive: 729 m<sup>3</sup>/h
- Noise level according to EN 60704-3 exhaust air:  
Max. normal use: 53 dB(A) re 1 pW  
Intensive: 69 dB(A) re 1 pW
- Noise min./max. Normal Level: 41/53 dB
- With the Clean Air Plus recirculation kit (available as accessory) your appliances reaches:  
Extraction rate in recirculation mode: Max. normal use: 358 m<sup>3</sup>/h  
Intensive: 628 m<sup>3</sup>/h  
Noise level in recirculation mode: Max. normal use: 60 dB(A) re 1 pW  
Intensive: 71 dB(A) re 1 pW
- 2 high-performance fans, Efficient BLDC-technology
- Efficient BLDC-technology

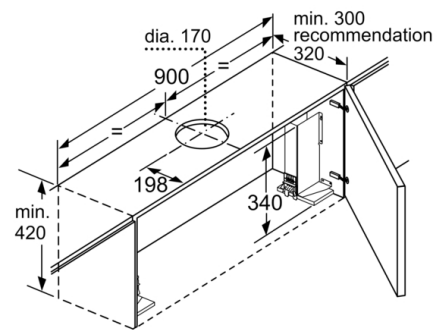
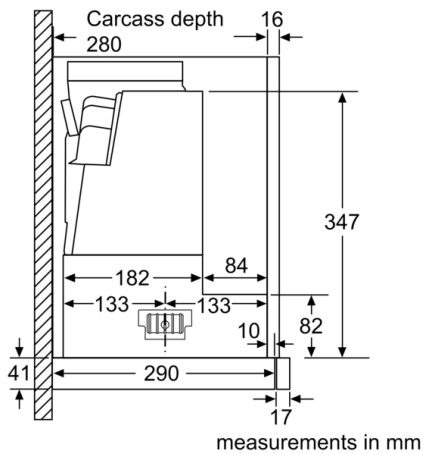
### Consumption Data

- Average Energy Consumption: 38.1 kWh/year
- Power rating: 146 W

**Series 4, Slideout rangehood, 90 cm, Silver metallic**  
**DFS097A51A**



**Series 4, Slideout rangehood, 90 cm, Silver metallic**  
**DFS097A51A**



When installing the 90 cm telescopic hood in a 90 cm wide wall-hanging cupboard, a mounting kit is required. The two mounting brackets are screwed onto the left and right of the kitchen unit. Installation in accordance with template.

measurements in mm