

Designed to Enhance

EST. 1981

omega

Installation + User Manual

OIFFBM427PRO

Integrated Bottom Mount Refrigerator 427L

Contents

03 Welcome

04 Safety Information

08 Your Refrigerator

10 Installing Your Refrigerator

22 Operating Instructions

24 Food Storage Advice

26 Cleaning & Maintenance

28 Troubleshooting

29 Purchase Details

30 Warranty Information

Welcome

Residentia Group

Office 165 Barkly Avenue Burnley
Victoria Australia 3121

ACN 70 600 546 656

Online residentia.group
omegaappliances.com.au

Post PO BOX 5177 Burnley
Victoria Australia 3121

Phone 1300 11 4357

Email support@residentia.group

Congratulations on purchasing your new Refrigerator!

Omega appliances are proudly owned, distributed, designed and engineered in Australia by Residentia Group Pty Ltd.

Please refer to the warranty chapter at the rear of this manual for information regarding your product's parts and labour warranty, or visit us online at:

→ www.residentiagroup.com.au

Here at Residentia Group, we are customer obsessed and our Support Team are there to ensure you get the most out of your appliance. Should you want to learn more about your unit, and importantly, taking care of the appliance, our Support Team are here to help. You can use our online Support Centre at any time by visiting:

→ www.support.residentiagroup.com.au

Or you can contact us by dialling: 1300 11 HELP (4357)

It is important that you read through the following user manual thoroughly, in order to familiarise yourself with the installation and operation requirements of your appliance, and to ensure optimum performance.

Again, thank you for choosing an Omega appliance and we look forward to being of service to you.

Kind Regards,

The Residentia Team

Customer Care

At Residentia Group, we strongly encourage the use of authentic spare parts to guarantee the best results. When contacting our spare parts team through 1300 11 HELP, or by emailing parts@residentiagroup.com.au, please ensure that you have the model and serial numbers on hand, which are found on your appliances' rating plate.

Safety Information

Important Safety Instructions

Read Carefully and Keep for Future Reference

Read this manual thoroughly before first use, even if you are familiar with this type of product. The safety precautions enclosed herein reduce the risk of fire, electric shock and injury when correctly adhered to. Make sure you understand all instructions and warnings.

Keep the manual in a safe place for future reference, along with the completed warranty card and purchase receipt. If you sell or transfer ownership of this product, pass on these instructions to the new owner.

Always follow basic safety precautions and accident prevention measures when using an electrical appliance. The following statements you will see in this booklet have these meanings:

WARNING: Indicating information concerning your personal safety.

CAUTION: Indicating information on how to avoid damaging the appliance or cabinetry.

IMPORTANT: Indicating tips and information about use of the appliance.

Usage Conditions and Restrictions

- Domestic use only: This appliance is intended for indoor household use only. It is not intended for commercial, industrial or outdoor use. It is not intended for use in a recreational vehicle.
- Purpose: Do not use this appliance for anything other than its intended purpose. Other uses are not recommended and may cause fire, electric shock or personal injury.
- Attachments: The use of attachments is not recommended by the appliance manufacturer and distributor as they may be hazardous.
- Improper use: Damage due to improper use, or repairs made by unqualified personnel will void your warranty. We assume no liability for any eventual damages caused by misuse of the product or non-compliance with these instructions.

Before Using Your Appliance

This manual explains the proper use of your Omega Refrigerator. Please read this manual carefully before using the product. This manual should be kept in a safe place for handy reference.

This Refrigerator is a domestic appliance which has been manufactured and tested to comply with Australian and New Zealand Standards.

This Refrigerator must only be installed in accordance with the instructions provided. Incorrect installation may cause harm to persons, damage property and void the product's warranty.

Read the following carefully to avoid damage or injury.

IMPORTANT: Check for any damage or marks. If you find the appliance is damaged or marked, you must report it within 7 days if you wish to claim for damage/ marks under the manufacturer's warranty. This does not affect your statutory rights.

Safety Instructions

- Before the installation and use of the appliance, carefully read the supplied instructions.
- The manufacturer is not responsible if an incorrect installation and use causes injuries and damages.
- Always keep the instructions with your appliance for future reference.
- If you will not use the appliance for a long time, it is advised to turn the plug off.

WARNING: To prevent any damages to your and others' life or property, you have to follow these safety instructions.

WARNING: When positioning the appliance, ensure the supply cord is not trapped or damaged.

WARNING: Do not locate multiple portable socket-outlets or portable power supplies at the rear of the appliance.

Safety Information (Continued)

Children & Vulnerable People Safety

WARNING: Risk of suffocation, injury or permanent disability.

This appliance is not intended for use by persons (including children) with reduced physical, sensory or mental capabilities, or lack of experience and knowledge, unless they have been given supervision or instruction concerning use of the appliance by a person responsible for their safety.

Children should be supervised to ensure that they do not play with the appliance.

- Children should be supervised to ensure that they do not play with the appliance.
- Keep all packaging away from children.

Unpacking

- During transportation, protective packaging was used to protect the appliance against any damage. After unpacking, please dispose of all elements of packaging in a way that will not cause damage to the environment.
- All materials used for packaging the appliance are environmentally friendly; they are 100% recyclable and are marked with the appropriate symbol.
- Remove all the packaging.

CAUTION: During unpacking, the packaging materials (polythene bags, polystyrene pieces, etc.) should be kept out of reach of children.

- Always move the appliance cautiously. Do not use the machine door or the handle to lift the appliance.

WARNING: Do not damage the refrigerant circuit.

WARNING: If you suspect refrigerant leakage, avoid touching the unit or power outlet. Ventilate the room and, if possible, turn off the unit using the circuit breaker. Contact the manufacturer immediately. Refrigerant can cause serious injury upon contact with skin or eyes; seek medical treatment promptly if exposed.

- Do not install or use a damaged appliance.
- Before installation or cleaning, disconnect the refrigerator from the power source and reset temperature controls. Reconnect and reset after completing tasks.
- Please contact 1300 11 HELP (4357) to arrange an authorised technician if you need assistance with installing the appliance.

Electrical Connection

CAUTION: Risk of fire and electrical shock!

- Ensure the appliance's plug is easily accessible.
- Ensure proper grounding of the appliance before operation. The appliance must be earthed.

WARNING: If you are unsure about grounding instructions, consult a qualified electrician or service person. Wait at least 5 minutes before reconnecting the power cord to prevent freezer failure.

- Make sure that the electrical information on the rating plate agrees with the power supply. If not, contact an electrician.
- Always use a correctly installed shockproof socket.
- Do not use any multi-plug adapters or extension cables.

WARNING: Incorrect grounding may lead to breakdowns or electric shocks. Use a dedicated outlet; using multiple devices on one outlet may cause fire hazards. Avoid positioning the power plug upwards or in a squeezed space at the back of the fridge to prevent water damage or fire risk.

- Ensure the supply cord is not trapped or damaged during positioning.
- Connect the mains plug to the mains socket only at the end of the installation. Make sure that there is access to the mains plug after the installation. Do not connect the appliance plug with a power connection board.
- Do not pull the mains cable to disconnect the appliance. Always pull the mains plug.
- Do not touch the mains cable or the mains plug with wet hands.

WARNING: If the supply cord is damaged, it must be replaced by the manufacturer or its service agent or similarly qualified person in order to avoid a hazard.

WARNING: All electrical work must be done in accordance with local and national electrical codes as applicable and should be undertaken by licenced and qualified persons only. Failure to follow these instructions can result in death, fire or electrical shock.

This product operates on 220-240V/50Hz only. The allowable voltage fluctuation range is 187V ~ 242V. It cannot be used with frequencies other than 50Hz.

To ensure safety, the socket and its cable must be capable of withstanding a current of above 10A.

Safety Information (Continued)

Appliance Placement

- Use this appliance in a domestic household only.
- Avoid installing it in wet or high humidity environments to prevent deterioration and electrical hazards.
- Install the appliance in a dry, well-ventilated room close to a wall outlet for easy access to power supply in case of accidents.
- Avoid exposing the unit to extreme heat or open flame, and ensure adequate airflow around the unit to prevent electric shock or injury.
- Do not cover or obstruct the exhaust area on the back of the unit to avoid electric shock or injury.

Care & Cleaning

CAUTION: Risk of injury or damage to the Refrigerator.

- Before installation or cleaning, disconnect the refrigerator from the power source and reset temperature controls. Reconnect and reset after completing tasks.
- Unplug the power cord when cleaning or handling the interior lamp to prevent electric shock or injury. Use a dry, clean cloth to remove water or dust from the power plug; do not touch it with wet hands. Ensure the power cord is not bent or pressed by heavy objects to avoid damage.
- Do not use a steam cleaner on the appliance.
- Avoid spraying water inside or outside the fridge or cleaning it with benzene or thinner.
- Use caution with cleaning agents; acidic cleaners, abrasive brushes, sharp tools, or those containing benzene should not be used.
- Clean the appliance with a moist soft cloth. Only use neutral detergents. Do not use abrasive products, abrasive cleaning pads, solvents or metal objects.

WARNING: Do not use mechanical devices or other means to accelerate the defrosting process, other than those recommended by the manufacturer.

Appliance Use

WARNING: Risk of fire, explosion, electric shock or damage to the appliance.

WARNING: Keep ventilation openings, in the appliance enclosure or in the built-in structure, clear of obstruction.

- Do not change the specification of this appliance.
- Do not store explosive substances such as aerosol cans with a flammable propellant in this appliance.
- Please do not close the appliance door with excessive force
- Follow instructions to prevent food contamination, including proper storage and cleaning practices.

WARNING: Do not use electrical appliances inside the food storage compartments of the appliance, unless they are of the type recommended by the manufacturer.

- Only use glassware designed for fridge/freezer use to prevent breakage and injury. Do not place ice in thin crystal cups or ceramic ware to avoid breakage and injury.
- Avoid placing heavy or dangerous objects inside the fridge, as they may cause injury, fire, or electric shock.
- Do not touch food or containers in the freezer with wet hands to prevent frostbite.
- Do not use a dryer or light a candle inside the unit, as it may cause explosion or fire.
- Avoid clinging to the door or trays, especially for children, to prevent the fridge from falling and causing serious injuries or death.



The refrigerant (R600a) is flammable.

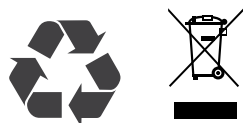
Symbol ISO 7010 W021

WARNING: Risk of fire/flammable materials!

Safety Information (Continued)

Disposal of the Appliance

- Disconnect the appliance from the mains supply, cut off the mains cable and discard it.
- Remove the doors and secure shelves before discarding old refrigerators or freezers to prevent injury or children and pet entrapment.
- When discarding the unit, keep it away from extreme heat sources due to flammable refrigerant and foaming agent.
- Adhere to local laws and regulations when discarding the refrigerator.
- Old appliances should not simply be disposed of with normal household waste and should be delivered to a collection and recycling centre for electric and electronic equipment. A symbol shown on the product, the instruction manual or the packaging shows that it is suitable for recycling.



- Dispose of refrigerant and insulation blowing gas at authorised waste disposal centres. Avoid exposing them to extreme heat or open flames.
- The packaging is designed to protect the appliance from damage during transportation. The packaging materials are environmentally friendly and should be recycled. Recycling the packaging can reduce the use of raw materials in the manufacturing process and the amount of waste in landfill sites
- Packaging materials of the product are manufactured from recyclable materials in accordance with our National Environment Regulations. Do not dispose of the packaging materials together with the domestic or other wastes. Take them to the packaging material collection points designated by the local authorities.
- Materials used inside the appliance are recyclable and are labelled with information concerning this. By recycling materials or other parts from used devices you are making a significant contribution to the protection of our environment.
- Information on appropriate disposal centres for used devices can be provided by your local authority.

Unpacking

- During transportation, protective packaging was used to protect the appliance against any damage. After unpacking, please dispose of all elements of packaging in a way that will not cause damage to the environment.
- Remove the packaging box and take off the top foam.

IMPORTANT: The bottom air inlet/outlet hood will be located within the top foam.

- Remove the protective foam from the sides and inside the refrigerator.
- Lift the refrigerator with assistance to remove the foam pad underneath.
- Open the refrigerator door and take out the installation accessories and other items stored inside.
- All materials used for packaging the appliance are environmentally friendly; they are 100% recyclable and are marked with the appropriate symbol.

CAUTION: During unpacking, the packaging materials (polythene bags, polystyrene pieces, etc.) should be kept out of reach of children.

Declaration of Compliance

When you have unpacked the appliance, make sure that it has not been damaged in any way. If you have any doubts at all, do not use it: contact a professionally qualified person. Keep packing materials such as plastic bags, polystyrene, or nails out of the reach of children because these are dangerous to children.

Your Refrigerator

Components, Parts and Accessories

Your Refrigerator comes with the following accessories:

A. Fridge Compartment (313L)

B. Freezer Compartment (114L)

C. Control Panel

D. Fridge Fresh Zone Crisper Drawer (x1)

E. 2L Water Tank

F. Power Button

G. Freezer Drawer (x1)

H. Auto Ice Maker (x1)

I. Fridge Glass Shelves (x3)

J. Fridge Door Trays (x3)

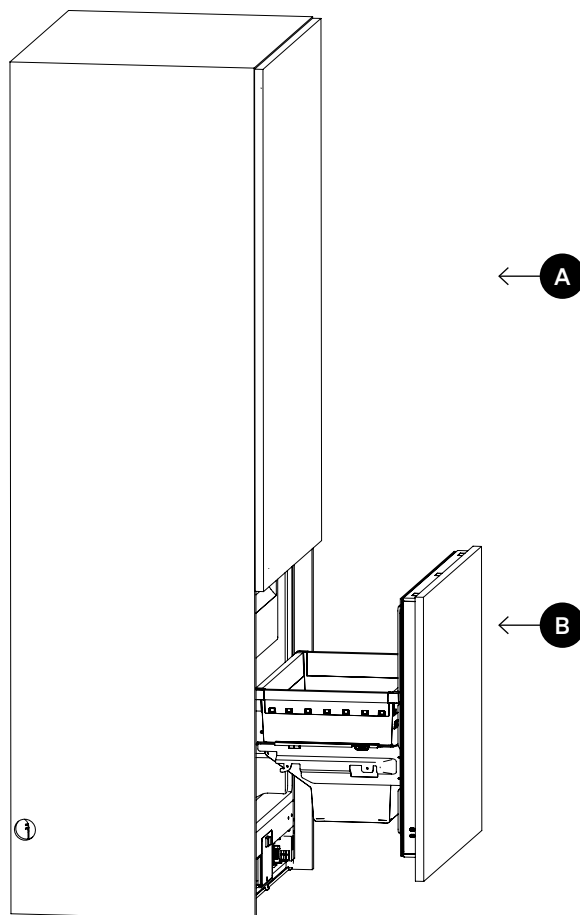
* Egg Tray (x1)

* User Manual (x1)

* Quick Start Guide (x1)

* Not pictured but also included

Model: **OIFFBM427PRO**



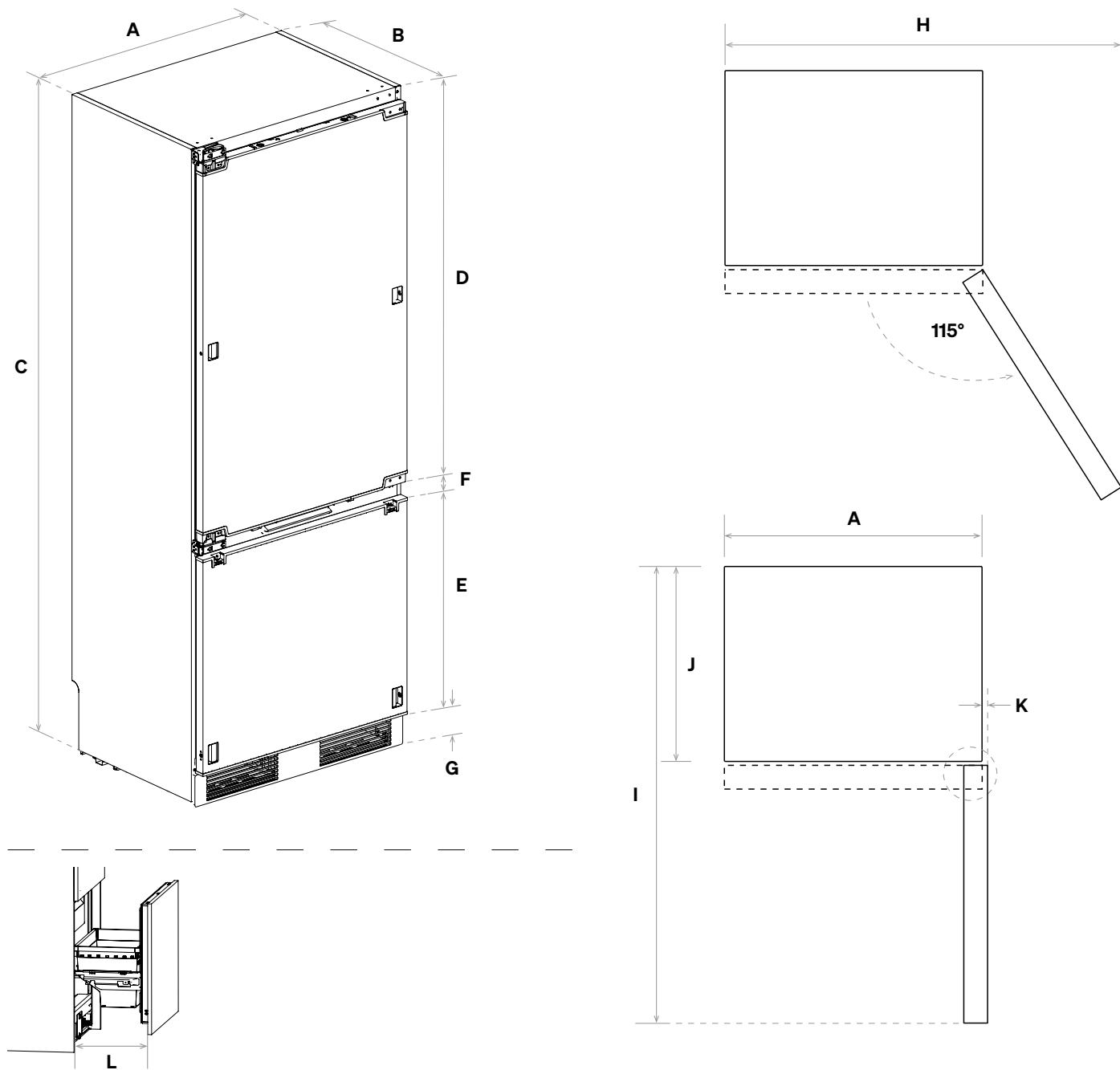
Note: The diagrams and images in this user manual are for explanatory purposes only. Your appliance's configuration may be different.

Your Refrigerator (Continued)

Product Dimensions

The dimensional diagrams for this refrigerator provide essential information about its size and layout. These diagrams detail the fridge's measurements enabling you to plan its placement effectively.

Note: The diagrams and images in this user manual are for explanatory purposes only. Your appliance's configuration may be different.



Dimensions (mm)

A 759	D 1180	G 153	J 530
B 572	E 614	H 1065	K 7
C 1996	F 49	I 1347	L 380

Installation Preparation

Installation Accessories

The following installation accessories are supplied with your Refrigerator:

A. Bottom Air Inlet/Outlet Decorative Grille (×1)

B. Power Cord (×1)

C. Upper Decorative Cover (×1)

D. Lower Decorative Cover (×1)

E. Cabinet Mounting Brackets (×2)

F. Cabinet Mounting Bracket Covers (×2)

G. Door Fixing Frames (×2)

H. Door Fixing Frame Covers (×2)

I. Door Fixing Brackets (×4)

J. Self-Tapping Countersunk Screws (×23)

K. Cross Recessed Countersunk Head Screws (×4)

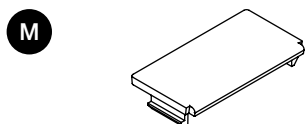
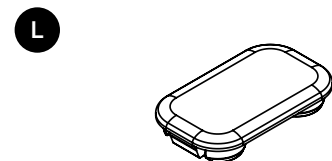
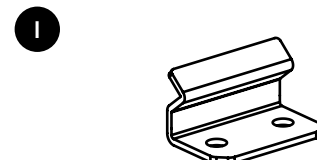
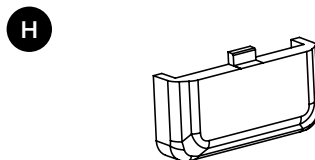
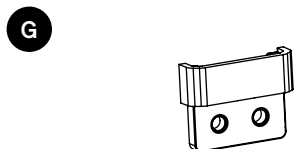
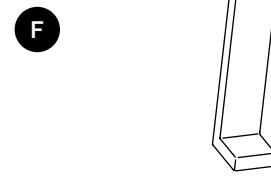
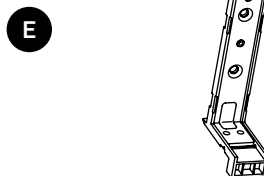
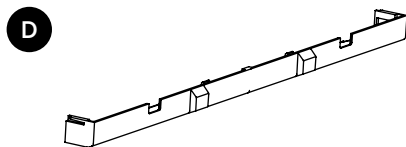
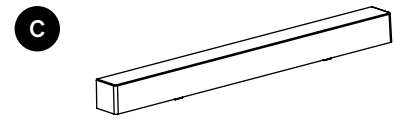
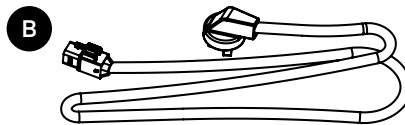
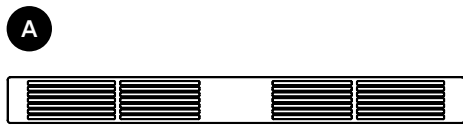
L. Screw Caps (×4)

M. Freezer Decorative Cover (×3)

* User Manual (×1)

* Quick Start Guide (×1)

* Not pictured, also available online: www.omegaappliances.com.au



Note: The Bottom Air Inlet/Outlet Decorative Grille (A) is located within the top foam of the packaging. The rest of the installation accessories are located in the boxes within the fridge.

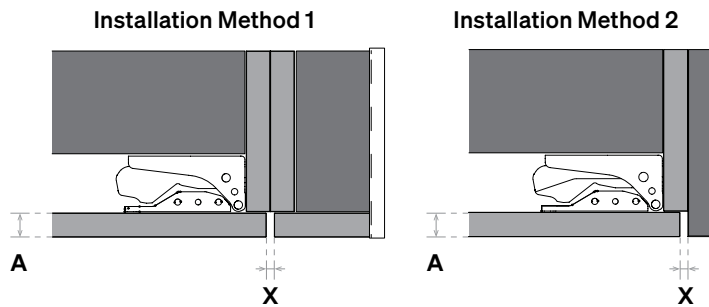
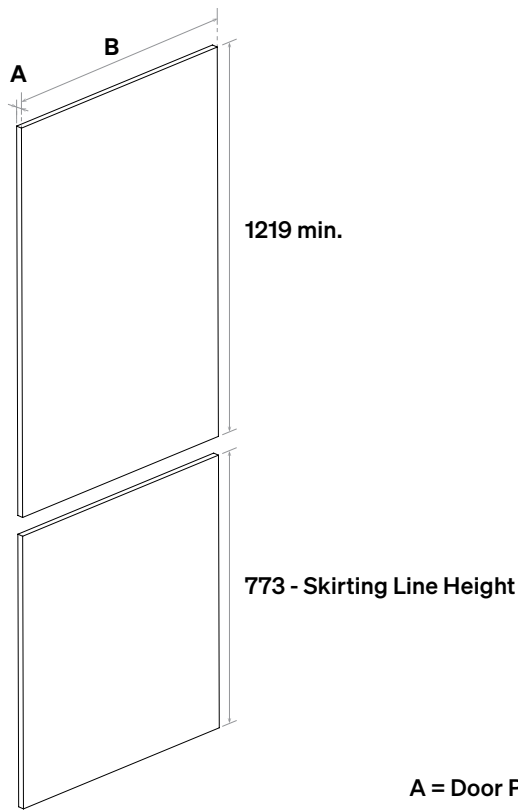
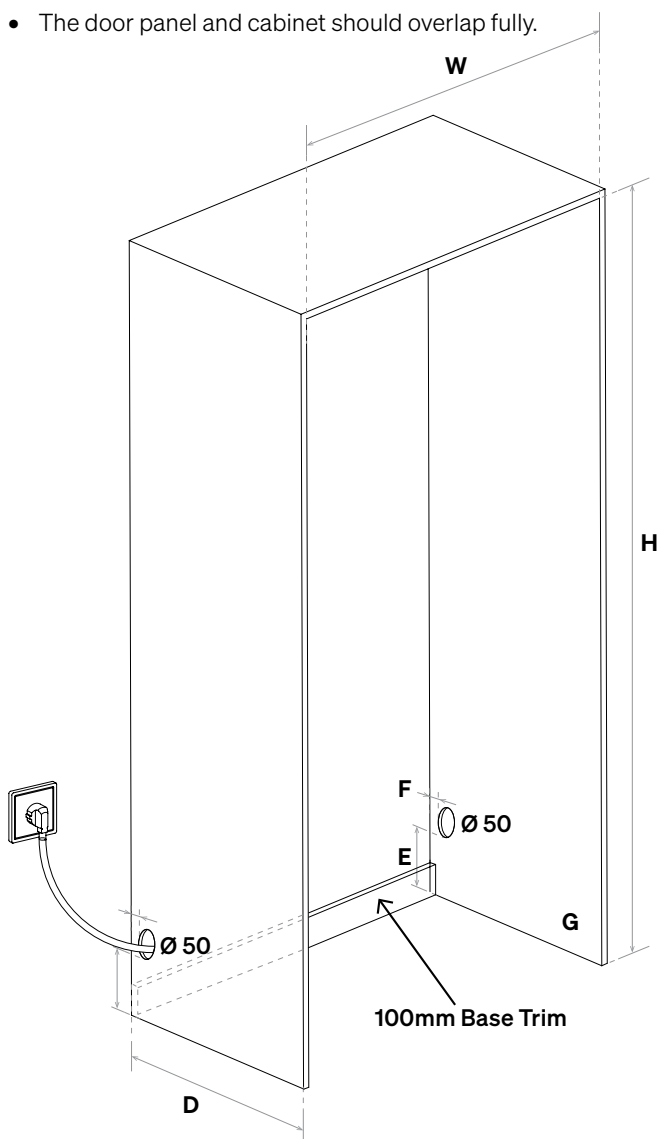
Installing Your Refrigerator

Installation of Refrigerator

In order to ensure that the built-in appliance functions properly, the cabinet containing it must be installed with adequate ventilation, maintaining the following minimum clearances: 4 mm at the top, 4 mm on the left side, 4 mm on the right side and 8 mm at the rear. The diagram below gives the dimensions of the cut-out for installation and required clearances.

- The left and right cabinet doors must have the same width (B), and the height of the doors is determined by the cabinet design.
- The door panel and cabinet should overlap fully.

- The height of the Base Trim should be between 80–120mm. If it exceeds this range, it may impact cooling performance.
- The hole for the power cable can be drilled on one or both sides, depending on your setup. The hole diameter must be equal or larger than 50mm.
- The power socket should be located in an adjacent cabinet for easy access.



Inside cavity dimensions (mm)

W 764	E 100–180
D 580 min.	F 10
H 2000	G 30

If A = 16–22:	If A = 23–25:
B 796 (Method 1)	B 794 (Method 1)
B 796 (R ≥ 7) (Method 2)	B 794 (R ≥ 9) (Method 2)
X 4	X 4

Installing Your Refrigerator (Continued)

Transportation

- Avoid transporting the refrigerator horizontally or laying it down. Keep it upright during transportation to prevent damage.
- When moving the refrigerator, refrain from holding onto the door or handle. Always lift the refrigerator from the bottom to ensure safe handling.
- Never attempt to move the unit alone. It is essential to have at least two people to safely lift or move the refrigerator. This precaution helps prevent injury and ensures the unit remains intact during transportation.

Positioning Your Refrigerator

- The refrigerator should be positioned on a solid, level surface to ensure the appliance operates efficiently and doesn't wobble.
- Keep the refrigerator away from damp areas where water is present. Promptly remove any water or dirt from the surfaces using a soft cloth to prevent rust and maintain optimal efficiency.
- Keep the fridge away from heat sources like stoves, ovens, and direct sunlight. Heat can affect the fridge's performance and energy consumption.

Installation of Power Supply

- Ensure the product is installed in a way that allows easy access to plug or unplug the power cord.
- Insert the product's plug into a dedicated socket to prevent accidental power disconnection. Avoid plugging other appliances into this socket, and do not use extension cords or multiport adapters, as their combined weight may cause them to fall from the wall.
- Refer to the product's nameplate to ensure it meets the necessary power supply requirements.
- The product must be properly grounded for safety.

Your Installer Will Require:

- | | |
|-------------------|-----------------------|
| 1. Allen Key (M3) | 4. Hexagon Nut Wrench |
| 2. Electric Drill | 5. Tooling Plate |
| 3. Tape | 6. Limit Guide Piece |

Cabinet Inspection:

- Ensure the cabinet dimensions and door panel match the specifications (refer to the dimension drawing on page 11).
- Verify the position and routing of the power cable (refer to the dimension drawing on page 11).
- Check that the power socket has a normal power supply. The socket should be located outside the refrigerator cabinet and near the cabinet opening for easy access.
- Ensure the ground is level.

NOTE: Make sure all the above requirements are met before proceeding to the installation.

Unpacking

- During transportation, protective packaging was used to protect the appliance against any damage. After unpacking, please dispose of all elements of packaging in a way that will not cause damage to the environment.

- Remove the packaging box and take off the top foam.

IMPORTANT: The bottom air inlet/outlet hood will be located within the top foam.

- Remove the protective foam from the sides and inside the refrigerator.
- Lift the refrigerator with assistance to remove the foam pad underneath.
- Open the refrigerator door and take out the installation accessories and other items stored inside.

CAUTION: During unpacking, the packaging materials (polythene bags, polystyrene pieces, etc.) should be kept out of reach of children.

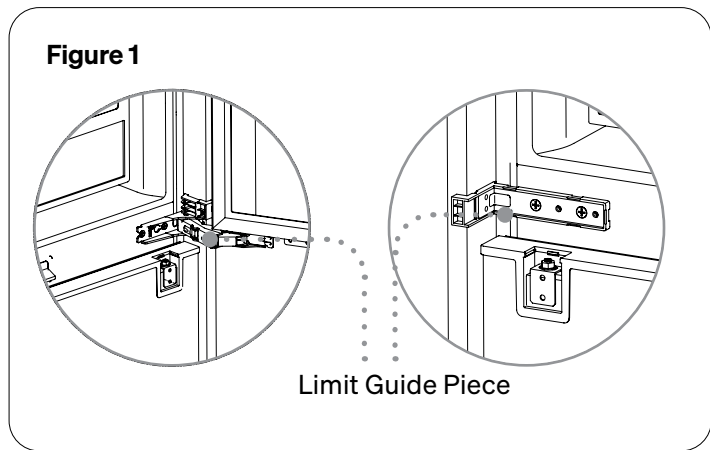
Installing Your Refrigerator (Continued)

WARNING: The refrigerator must be installed and secured according to these instructions to prevent instability and potential hazards.

Securing the Refrigerator to the Cabinet

- **Inserting Guide Pieces**

Open the refrigerator door and insert the 2 Limit Guide Pieces into the two holes of the upper and lower hinges (these guide pieces should be placed outside the refrigerator, not inside). Once inserted, close the door. (Refer to Fig. 1).

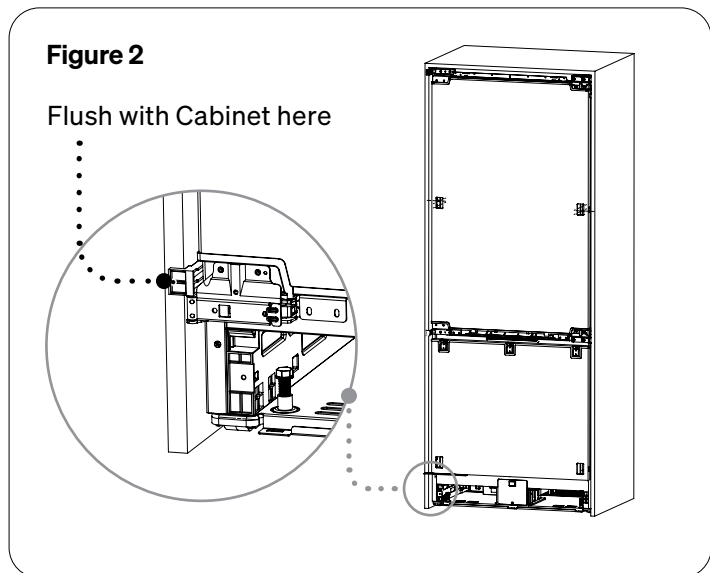


- **Connecting the Power Cable**

Insert the power cable into the lower jack socket located at the back of the refrigerator. Feed the plug through the hole in the cabinet and plug it into the designated power socket.

- **Positioning the Refrigerator in the Cabinet**

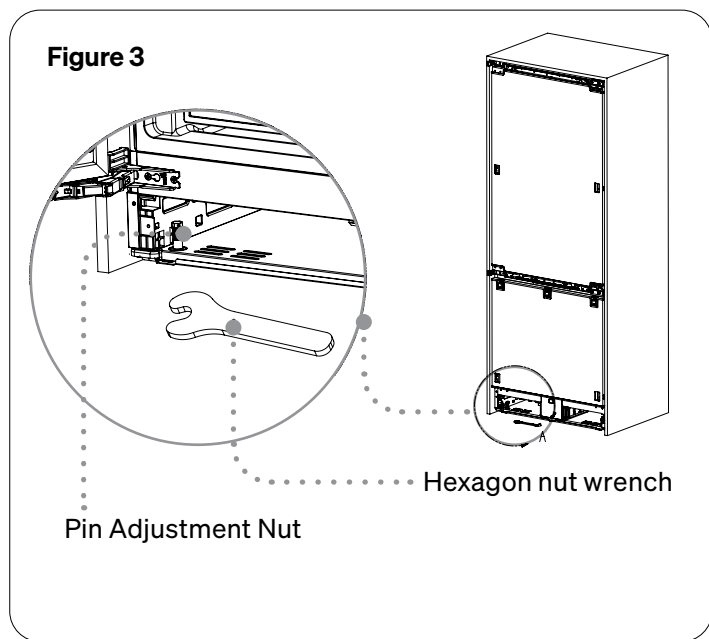
Push the refrigerator into the cabinet, while gently pulling the power cable to prevent tangling or damage. Stop pushing when the Lower End Cover of the freezer drawer is flush with the cabinet surface. (Refer to Fig. 2).



- **Adjusting the Refrigerator's Height**

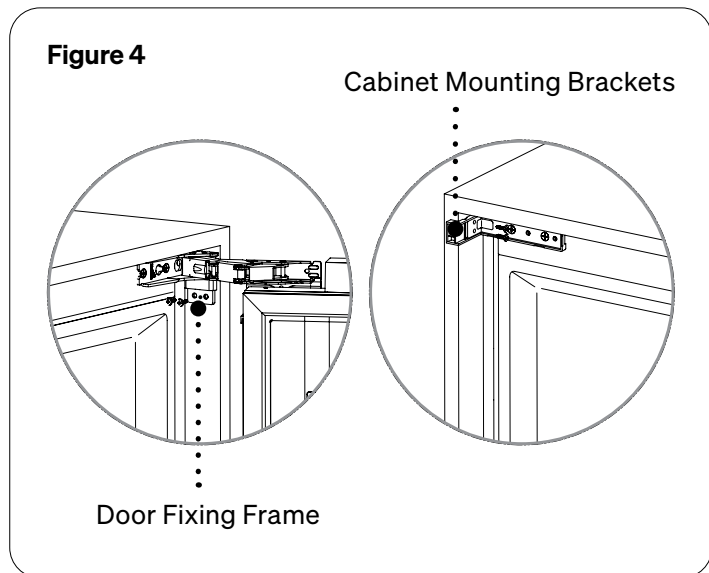
Use a hexagon nut wrench to adjust the nuts on the pins:

- Rotate clockwise to raise the front of the refrigerator.
- Rotate counter-clockwise to lower it.
- Adjust until both the upper and middle guide pieces are flush with the cabinet surface. (Refer to Fig. 3).



- **Securing the Refrigerator**

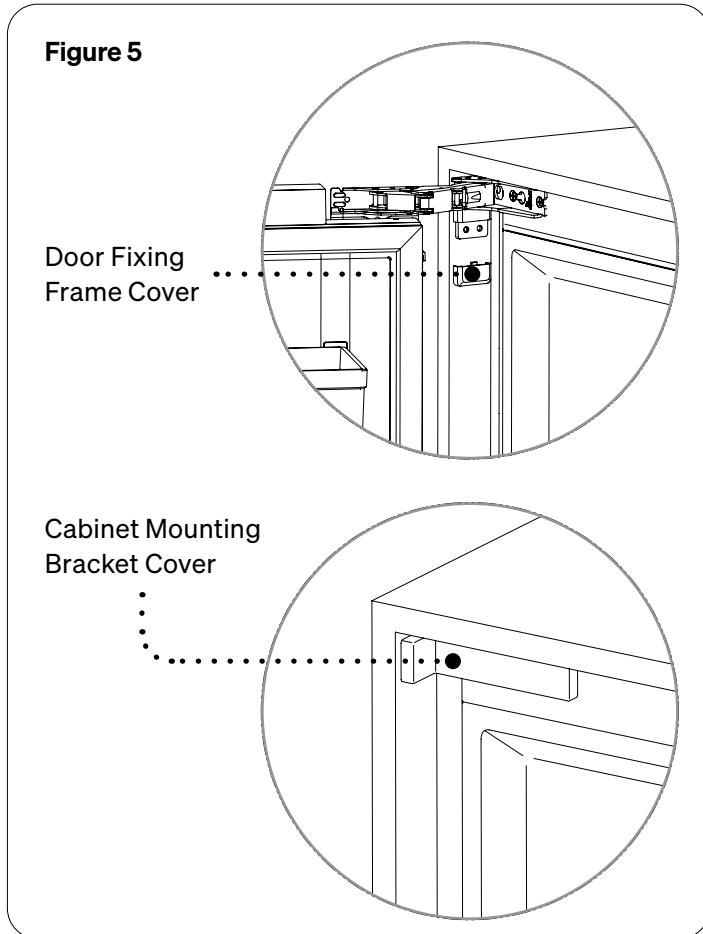
Open the door and remove the Limit Guide Piece from one of the hinges. Install the Door Fixing Frame using two self-tapping screws. Repeat this step for each hinge, removing the Limit Guide Pieces one by one. (Refer to Fig. 4).



Installing Your Refrigerator (Continued)

• Installing the Door Fixing Frame Covers

Once the refrigerator is secured, install the Door Fixing Frame Covers to complete the installation. (Refer to Fig. 5).



Following these steps ensures that your integrated refrigerator is securely and properly installed within the cabinet, providing stability and efficient operation.

Installing the Cabinet Door Panels

This process aligns and secures the cabinet doors with the refrigerator, ensuring a seamless integrated look.

• Install the Door Handle:

Begin by attaching the door handle to the cabinet door.

• Measure the Distance:

Use a tape measure to determine the distance from the fixing bracket to the top of the cabinet.

• Install the Cabinet Doors:

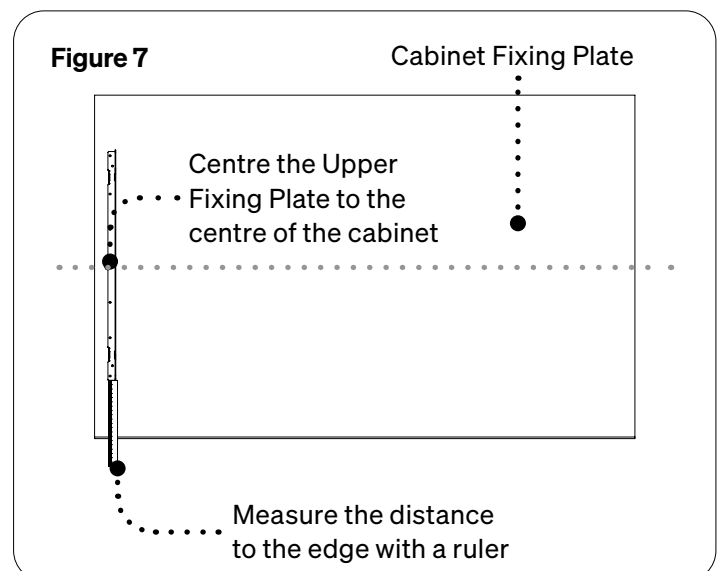
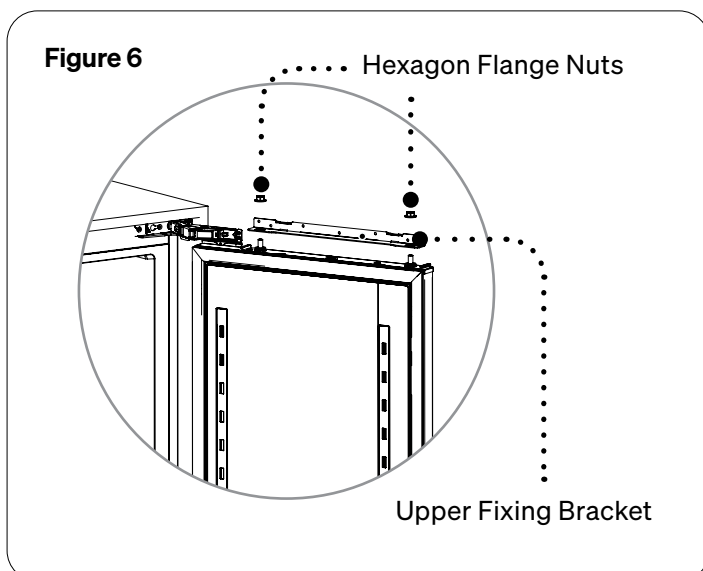
Install both cabinet doors onto the refrigerator. Loosen and remove the hexagon flange nut, and take off the upper fixing bracket from the refrigerator door. (Refer to Fig. 6).

• Securing the Upper Fixing Bracket and Cabinet Door:

Position the upper fixing bracket onto the cabinet door. Adjust it so the distance between the fixing bracket and the upper edge of the cabinet door matches the measurement from the **Measure the Distance** step above.

- Place the tooling plate against the door handle side, then align the upper fixing bracket with the limit surface of the tooling plate.

- Once the position is confirmed, secure the upper fixing bracket to the cabinet door using flat head self-tapping screws. (Refer to Fig. 7).



Installing Your Refrigerator (Continued)

Installing the Cabinet Fixing Plates

- Measure the distance from the upper cabinet fixing plate to the side of the cabinet.
- Adjust the position of Slider C on the workpiece plate to match the measured distance, then tighten the screw to lock it in place.
- Fix the centre section of the workpiece plate to the upper cabinet fixing plate.
- Insert the cabinet fixing plate into the corresponding slot in the workpiece plate, as shown in Fig. 8 (upper door – centred position).
- Secure the cabinet fixing plate to the cabinet door using flat-head self-tapping screws.
- Repeat the same procedure for both the left and right sides.

Aligning and Mounting the Cabinet Doors

- Place one end of the tooling plate against the handle side of the cabinet door.
- Insert the installed cabinet fixing plate into the corresponding slot in the tooling plate.
- Insert the second cabinet fixing plate into the remaining slot of the tooling plate.
- Secure both cabinet fixing plates to the cabinet door using flat-head self-tapping screws (Refer to Fig. 8).

Hanging the Cabinet Doors onto the Refrigerator Door:

Once the two cabinet doors are mounted, hang them onto the refrigerator door as shown in the illustration (Refer to Fig. 9).

Figure 8

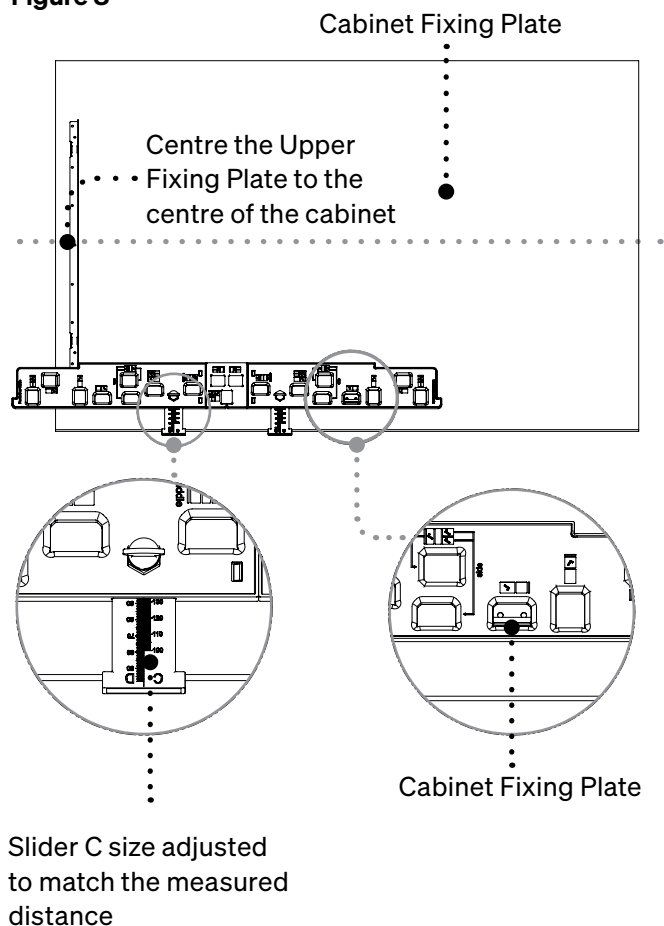
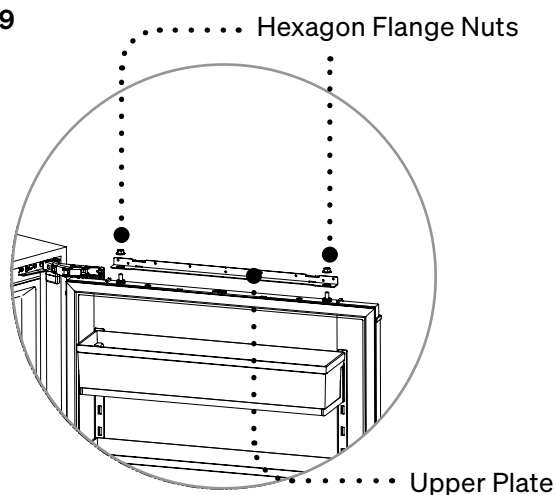


Figure 9



Installing Your Refrigerator (Continued)

Adjustment of Cabinet Door

Vertical Adjustment:

Rotate the refrigerator adjustment bolts clockwise or anticlockwise using an Allen key to move the cabinet door up or down.

Horizontal Adjustment:

Use an Allen key to rotate the lateral set screws on the refrigerator door clockwise or anticlockwise, moving the cabinet door left or right.

Front/Back Adjustment:

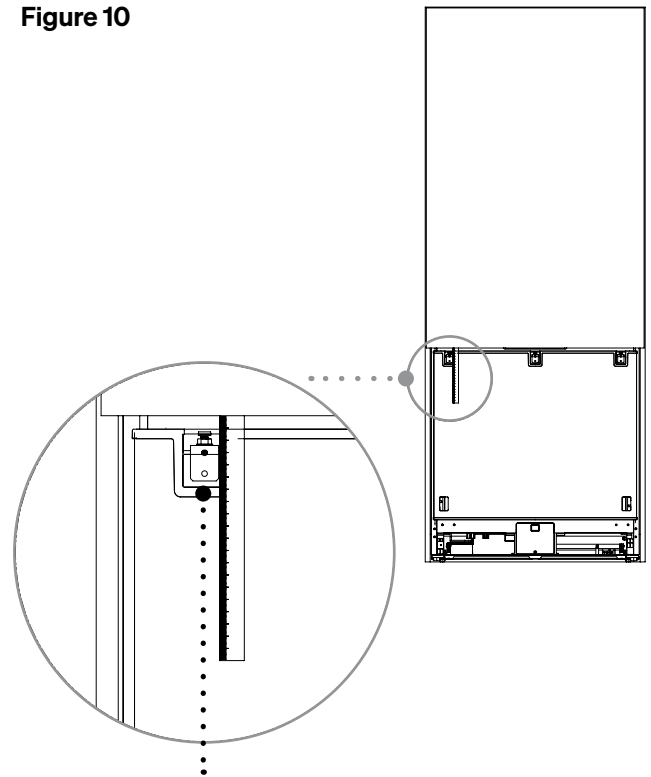
- **Upper Side:** Adjust the front/back clearance by moving the upper side of the cabinet door in relation to the upper fixing bracket and refrigerator.
- **Middle Side:** Move the cabinet door front or back until it's in the desired position, then tighten the hex socket set screw on the lateral sides of the refrigerator door.
- **Lower Side:** Adjust the lower fixing bracket based on the front/rear clearance between the lower fixing bracket and screws, making sure it's properly aligned.

NOTE: These adjustments should be calibrated repeatedly until the cabinet doors are perfectly aligned with the refrigerator.

Installing the Freezer Drawer Cabinetry

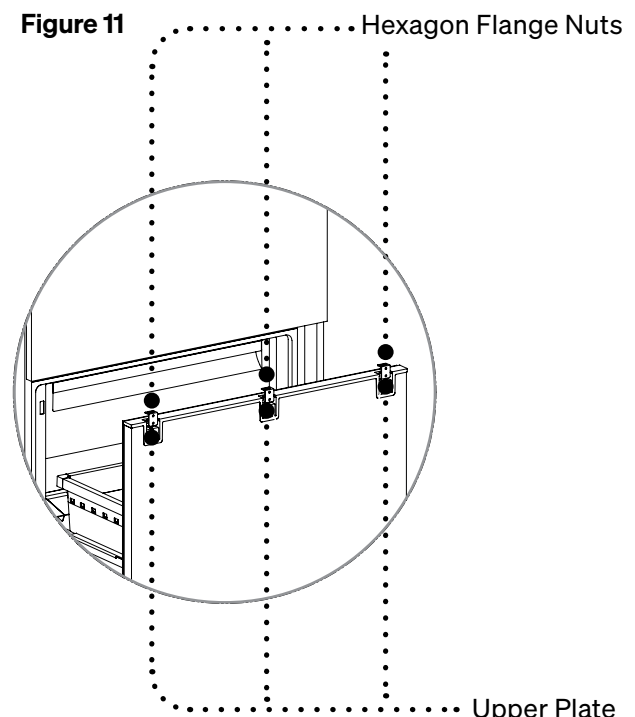
- Attach the door handles to cabinet doors;
- Using a tape measure, measure the distance between the lower edge of the adjusted refrigerated cabinet panel and the bottom of the drawer door end cap notch (Refer to Fig. 10).
- Loosen and remove the hexagonal flange nut and the drawer top mounting plate (Refer to Fig. 11).

Figure 10



Measure the lower edge of the adjusted cabinet board to here

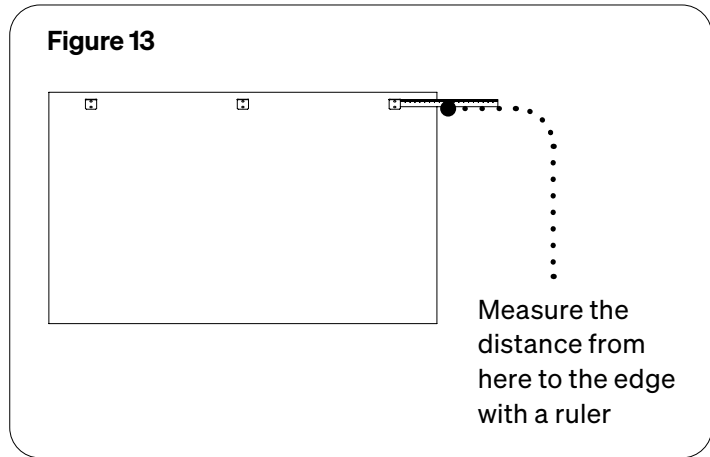
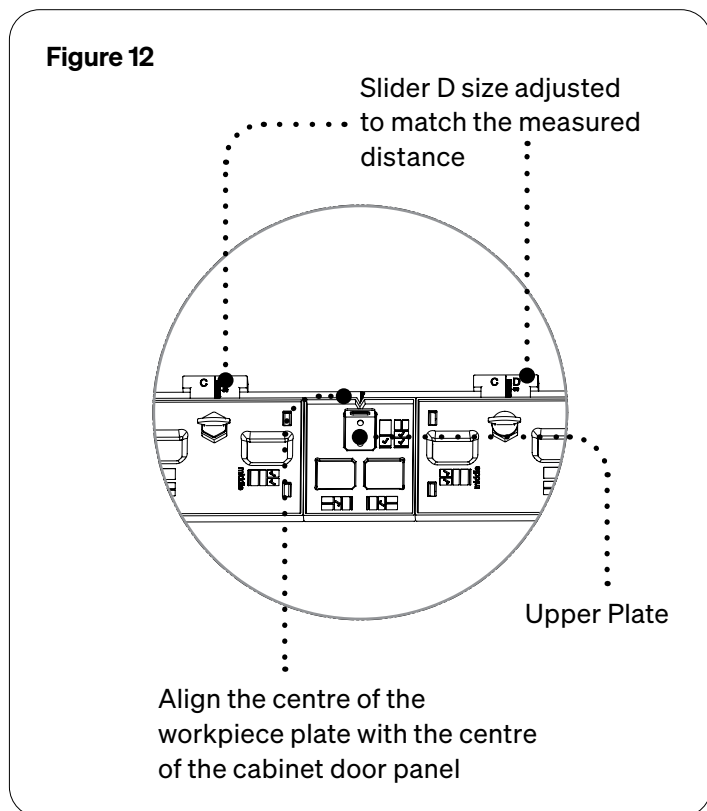
Figure 11



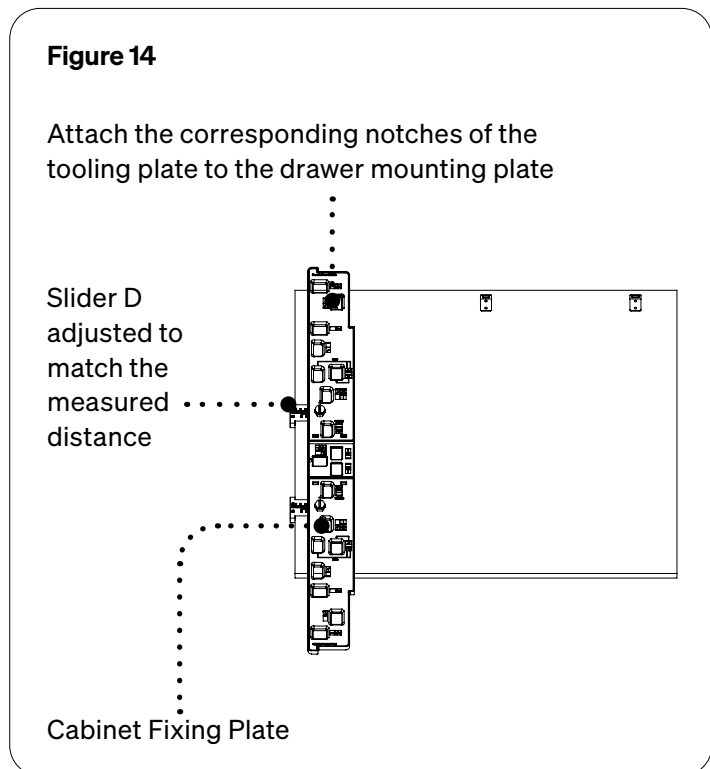
Installing Your Refrigerator (Continued)

- Adjust Workpiece Plate D to match the measurements taken above, then tighten the screw to lock it in position.
- Position the slider so it sits flush against the edge of the drawer cabinet door.
- Align the centre of the workpiece plate with the centre of the cabinet door panel.
- Insert the drawer door fixing plate into the corresponding slot in the workpiece plate.
- Secure the fixing plate to the cabinet door using flat-head self-tapping screws (see Fig. 12).

- Measure the distance from the installed drawer door fixing plate to the side of the cabinet panel (see Fig. 13).

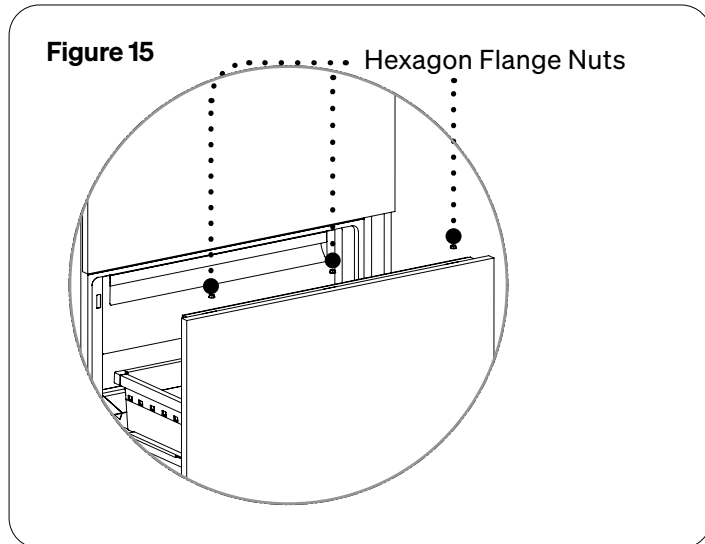


- Position the limit slot of the workpiece plate over the fixing plate on the drawer door.
- Place the slider flush against the side of the cabinet door.
- Insert the cabinet fixing plate into the corresponding slot in the workpiece plate.
- Secure the cabinet fixing plate to the cabinet door using flat-head self-tapping screws.
- Repeat the procedure for both the left-hand and right-hand sides (see Fig. 14).



Installing Your Refrigerator (Continued)

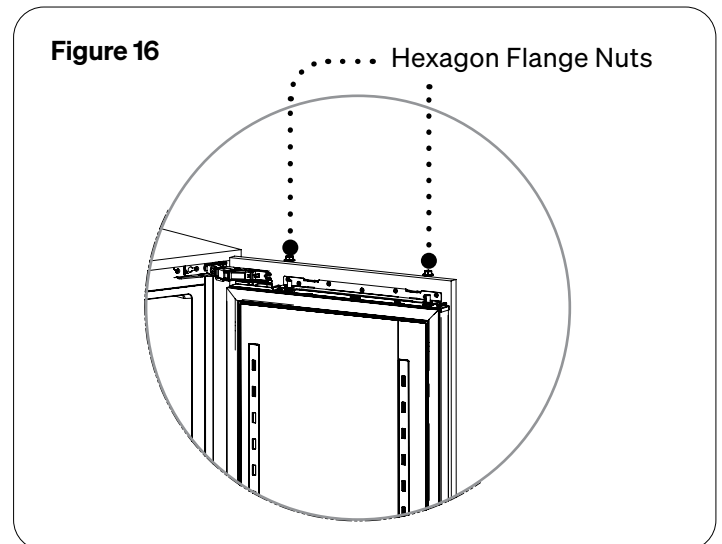
- Once all cabinet door fixing plates are secured, hang the cabinet door onto the refrigerator door body as shown in Figure 15.



Fixing the Cabinet and Refrigerator Doors

- Secure the Hexagon Flange Nuts:**

Fasten the hexagon flange nuts on the upper fixing bracket. (Refer to Fig. 16).



Adjustment of Cabinet Door

- Vertical Adjustment:**

Rotate the refrigerator adjustment bolts clockwise or anticlockwise using an Allen key to move the cabinet door up or down.

- Horizontal Adjustment:**

Use an Allen key to rotate the lateral set screws on the refrigerator door clockwise or anticlockwise, moving the cabinet door left or right.

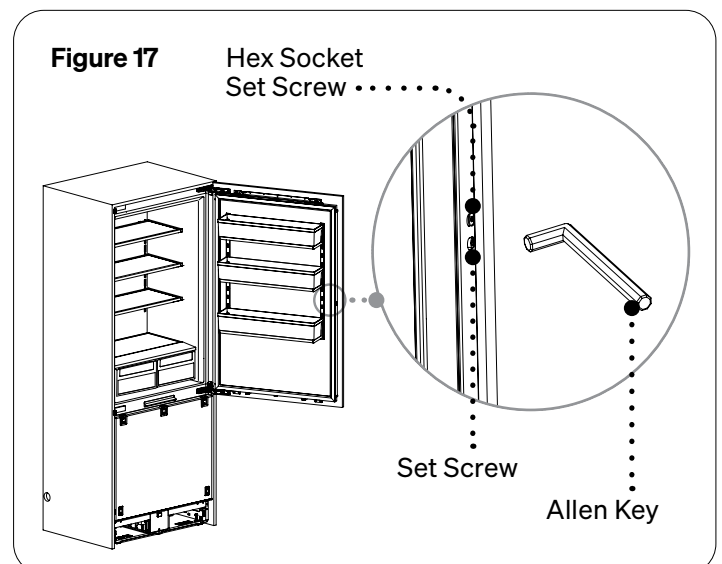
- Front/Back Adjustment:**

- Upper Side:** Adjust the front/back clearance by moving the upper side of the cabinet door in relation to the upper fixing bracket and refrigerator.
- Middle Side:** Move the cabinet door front or back until it's in the desired position, then tighten the hex socket set screw on the lateral sides of the refrigerator door.
- Lower Side:** Adjust the lower fixing bracket based on the front/rear clearance between the lower fixing bracket and screws, making sure it's properly aligned.

NOTE: These adjustments should be calibrated repeatedly until the cabinet doors are perfectly aligned with the refrigerator.

- Tighten the Set Screws:**

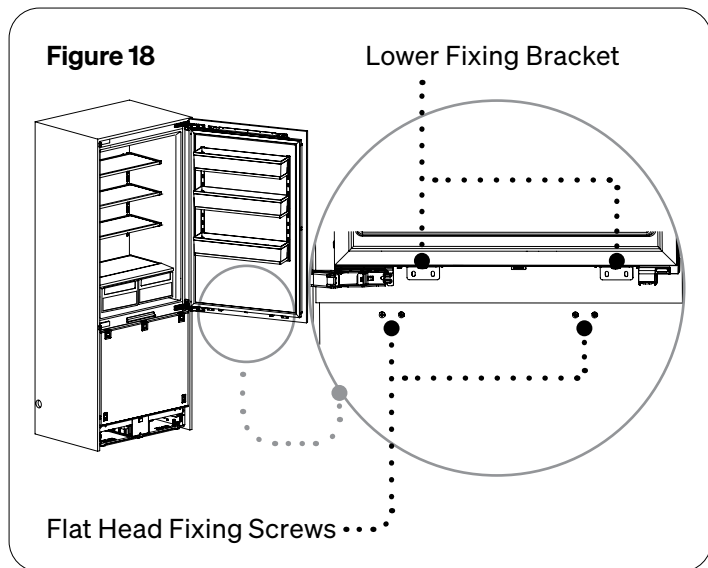
Fasten the lateral set screws and hex socket set screws on the refrigerator door. (Refer to Fig. 17).



Installing Your Refrigerator (Continued)

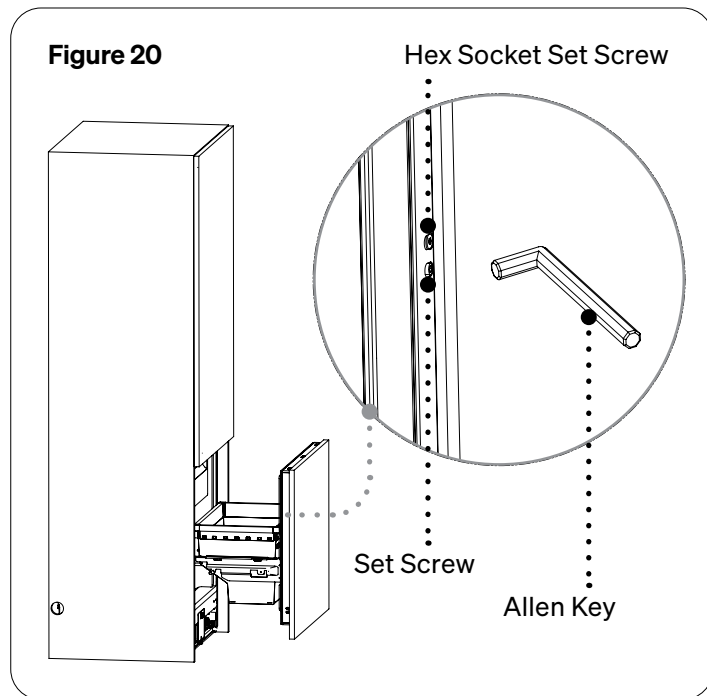
- **Lower Fixing Bracket Adjustment:**

Slightly loosen the fixed hex socket set screws on the lower fixing bracket and refrigerator door to allow the lower fixing bracket to move in all directions. Then, secure the lower fixing bracket and cabinet door with flat head self-tapping screws. Once the cabinet door is properly adjusted, fasten the socket head cap screws to lock everything in place (Refer to Fig. 18).



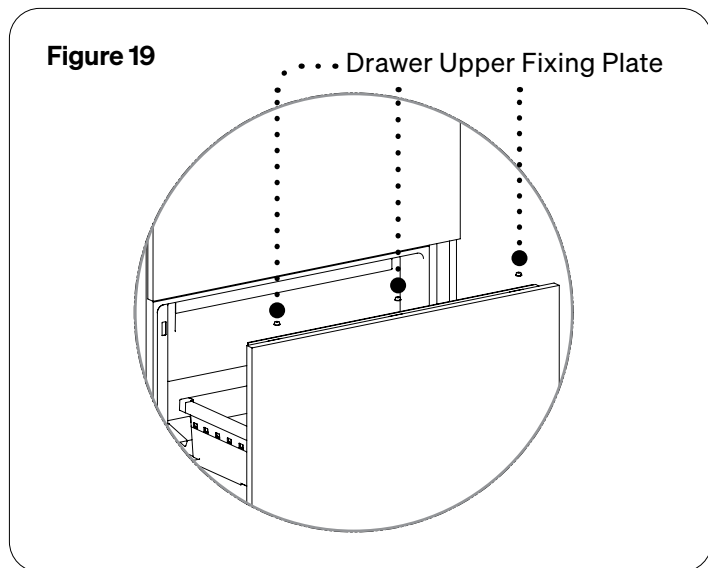
- **Securing the Freezer Door screws:**

Tighten the lateral set screws and the hex socket set screws on the freezer door (Refer to Fig. 20).



- **Securing the Drawer Upper Fixing Plate:**

Tighten the hexagonal flange nut on the upper fixing plate to secure it to the cabinet door (Refer to Fig. 19).



Installing Your Refrigerator (Continued)

Installation of Refrigerator Accessories

Install the Decorative Covers:

Insert the upper decorative cover into the upper edge clip of the refrigerator, and the lower decorative cover into the lower edge clip (Refer to Fig. 21 & Fig. 22). Fit the freezer decorative covers to the top edge of the drawer (Refer to Fig. 23).

Install the Bottom Air Inlet/Outlet Decorative Grille:

Insert the bottom air inlet/outlet decorative grille into the lower part of the refrigerator. (Refer to Fig. 24).

NOTE: Ensure that the grille is not blocked.

Install the Screw Cap:

Place the screw cap into the lateral notch of the refrigerator door for a clean finish. (Refer to Fig. 25).

These steps will complete the installation of the accessories, ensuring optimal performance and a refined appearance.

NOTE: By following these steps, you will ensure precise alignment and secure fixation of the cabinet door with the refrigerator for optimal performance and aesthetics.

Figure 23

Freezer Decorative Covers

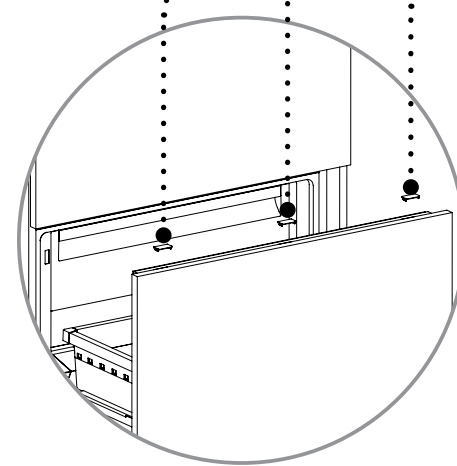


Figure 21

Upper Decorative Cover

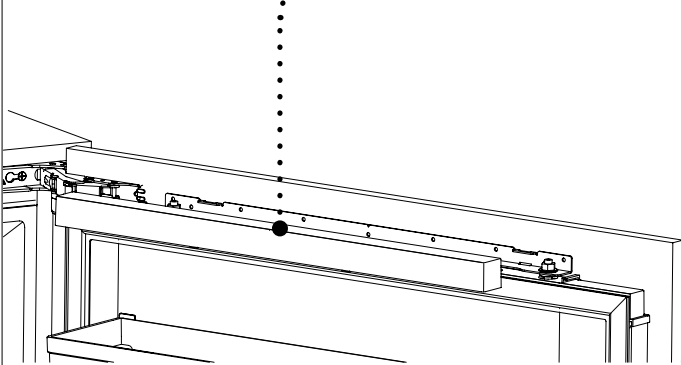
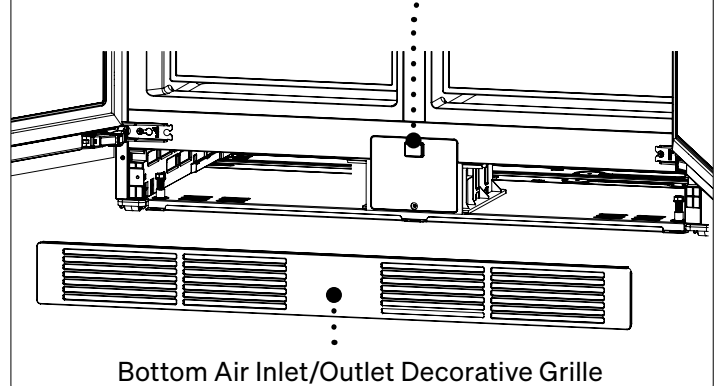


Figure 24

Power Button



Bottom Air Inlet/Outlet Decorative Grille

Figure 22

Lower Decorative Cover

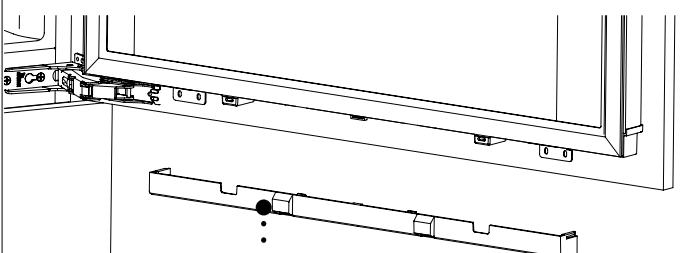
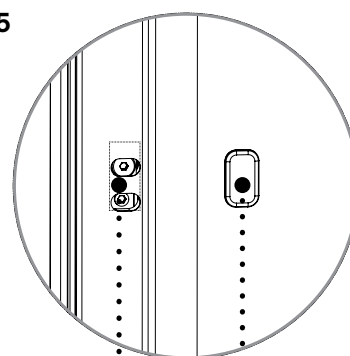


Figure 25

Lateral Notch

Screw Cap

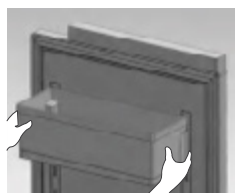


Installing Your Refrigerator (Continued)

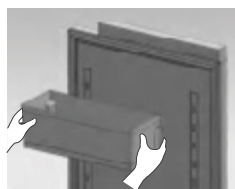
Rearranging the Door Tray

- To remove the door rack, firmly grasp both sides with both hands and lift it up as a whole. Continue lifting until the rear end of the door rack gets stuck. At this point, the claw will completely disengage from the slot.

NOTE: Throughout the entire process, the door rack will need to be lifted by approximately 7mm.



- Then simply pull out the door rack outwards to remove it.



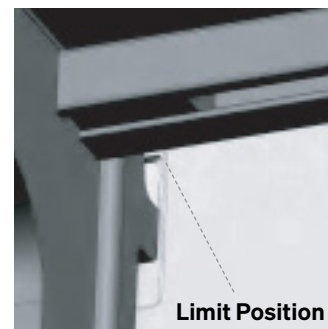
NOTE:

- The transparent body of the bottle frame and the aluminium alloy hanger can be separated, so please handle with care during disassembly.
- The bottle frame is designed to prevent accidental contact and detachment, and if the lifting distance is too high, it may not be possible to pull the frame outwards. In such cases, it is recommended to remove the bottle first. Then, slightly lower the box before attempting to pull the frame out.

Rearranging the Glass Shelving

- Firmly grasp the front edge of the glass shelf with both hands.
- Lift the shelf as a whole until the glass rests securely in position.

WARNING: Do not lift the rear end of the shelf frame beyond its limit position.

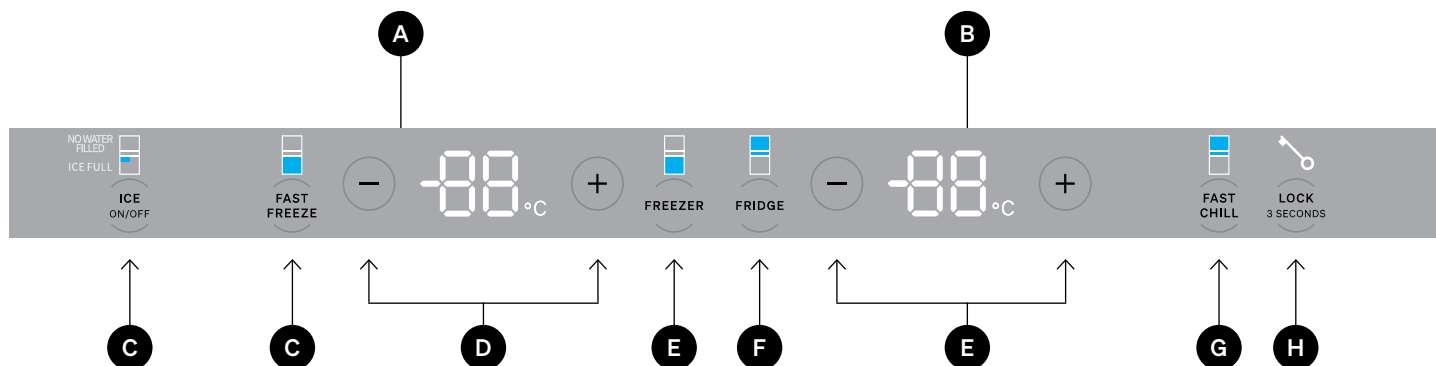


- Once the shelf claws are fully detached, remove the shelf from the slot. Then simply carefully lift it up and pull the glass shelf outward to remove it.

NOTE: The glass shelf thickness is approximately 7mm.



Operating Instructions



Control Panel

- A. Freezer Temperature Display

- B. Refrigerator Temperature Display

- C. Ice Maker Button

- D. Fast Freeze Button

- E. Temperature Adjustment Buttons

- F. Freezer Compartment Button

- G. Fridge Compartment Button

- H. Fast Chill Button

- I. Child Lock Button

Before First Use

- Ensure that the refrigerator is correctly installed following the Installing Your Refrigerator section.
- Remove all packaging, including foam backing and tape securing shelves and door trays.
- Before use, clean the unit with a warm, soapy cloth, and dry thoroughly.

Starting Your Refrigerator

Switch on the appliance using the Power Button (refer to the Your Refrigerator section on page 8).

Functions Selection

- **Fast Freeze:**
Activates the Fast Freeze mode when touched, with the icon above the button turning on. The set temperature on the display will be -23°C as the freezer zone temperature drops continuously. The mode automatically deactivates after 24 hours, when the temperature sensor reads below -28°C , or if the Fast Freeze button is pressed again. The icon will turn off upon deactivation.

- **Freezer Compartment Button:**
The default temperature of the freezer is set to -18°C .

To adjust the temperature, press the Freezer Compartment Button to cycle through the available set temperatures ranging from -15°C to -23°C .

WARNING: Avoid placing fresh foods directly on frozen foods.

- **Temperature Adjustment Buttons (- & +):**
Increases or decreases the set temperature in the selected zone (fridge or freezer) each time it is touched.

The fridge and freezer will increase or decrease by 1°C , stopping at the minimum or maximum temperature.

Operating Instructions (Continued)

- **Fridge Compartment Button:**

The default temperature of the fridge is set to -5°C.

To adjust the temperature, press the Fridge Compartment Button to cycle through the available set temperatures ranging from 2°C to -8°C.

- **Fast Chill Zone Button:**

Activates Fast Chill mode when touched, with the icon above the button turning on. In this mode, the set temperature is 2°C. The mode automatically deactivation after running for 150 minutes, or if the button is pressed again, with the icon turning off upon deactivation.

- **Ice Maker Button:**

Activates and deactivates the Ice Maker when touched, with the icon above the button turning on. The icon will turn off upon deactivation.

- **Ice Maker Warning Indicators:**

LOW WATER will light up to indicate that the refrigerator has insufficient water supply and **ICE FULL** will light up to indicate when the ice storage bin is full.

- **Display Activation:**

When a door is opened, the display indicator lights up. If no buttons are touched for 30 seconds, the display will turn off automatically. It can be reactivated by touching any button or opening and closing the door again.

- **Power Off Memory:**

The refrigerator has a power-off memory function that remembers the temperature and function settings. After 30 seconds, any changes made are saved and will be retained in case of power loss.

- **Button Operations:**

All buttons can only be operated when the display is unlocked. Attempting to press buttons while locked will result in prompt sounds, flickering icons, and the alert sounding.

Child Lock

While in Child Lock mode, the refrigerator's control panel disables the functionality of other buttons, ensuring the safety of settings and preventing accidental changes by children.

- Pressing the Child Lock button activates lock mode, and the Child Lock icon becomes visible.
- While in this mode, the control panel's other buttons become inactive. Touching them triggers a chime and flashing Child Lock icon.
- To deactivate Child Lock mode, press and hold the Child Lock button for 3 seconds until the icon disappears.

Open Door Alarm

Should any door remain open for longer than 1 minute, the alarm will alert users to close it promptly by sounding three consecutive alarms.

If the door remains open, three alarm sounds will happen every 30 seconds. Once the doors are closed, the alarm will stop.

Climate Classes

- **Extended temperature (SN):**

This refrigerating appliance is intended to be used at ambient temperatures ranging from 10°C to 32°C.

- **Temperate (N):**

This refrigerating appliance is intended to be used at ambient temperatures ranging from 16°C to 32°C.

- **Subtropical (ST):**

This refrigerating appliance is intended to be used at ambient temperatures ranging from 16°C to 38°C.

- **Tropical (T):**

This refrigerating appliance is intended to be used at ambient temperatures ranging from 16°C to 43°C.

Food Storage Advice

CAUTION: Avoid direct contact between food, especially oily items, and the refrigerator liner. Promptly clean any oil or oily food stains to prevent prolonged contact, which can lead to liner corrosion and cracking.

The Freezer Compartment is ideal for storing pre-frozen food, making ice cream, and producing ice cubes. The Fridge Compartment is suitable for freezing fresh food.

If the refrigerator is left empty for extended periods, switch it off, defrost, clean, dry, and leave the door open to prevent mould growth.

Please consider the actual product situation for best practices.

Refrigerator Storage

- When storing frozen foods, place them inside the Freezer Compartment in stead of the door tray to prevent frost cracking. Avoid placing bottled or canned foods in the Freezer to prevent damage.
- Before refrigerating hot foods, allow them to cool to room temperature to reduce power consumption.
- Avoid leaving the refrigerator door open for long periods, as this can raise the temperature inside.
- Regularly clean surfaces that come into contact with food and accessible drainage systems.
- Store raw meat and fish in appropriate containers to prevent contact or dripping onto other food.
- Mark the freezing date on packaging bags according to different food storage times to prevent exceeding the limit.
- Divide foods into appropriate portions and package them separately to freeze thoroughly without sticking together.
- Use odourless, airtight, watertight, and pollution-free packaging materials to prevent food contamination.
- Avoid overloading the Freezer with fresh foods, ideally not exceeding the refrigerator's freezing capacity.
- Do not refreeze melted foods unless they are prepared into dishes to avoid quality deterioration.
- Avoid placing glass bottles or containers in the Freezer or near the air outlet of the refrigerator duct to prevent explosions.
- Ensure that foods do not block the air outlet to maintain proper air circulation and prevent abnormal operation.
- The glass shelves and drawers can be removed to store food if needed.
- Do not allow food to touch any surface inside the appliance directly. It has to be wrapped separately in aluminium foil or in cling film or in airtight containers.
- Dairy foods and eggs: Most pre-packed dairy foods have a recommended use by date, best before date or best by date stamped on them. Store them in the Fridge Compartment and use within the recommended time.
- Butter: Store in a sealed container to prevent absorption of strong odours.
- Eggs: Store in the Fridge Compartment.
- Red Meat: Place on a plate and loosely cover with waxed paper, plastic wrap, or foil. Store cooked and raw meat separately to prevent cross-contamination.
- Poultry: Rinse whole birds inside and out with cold water, then dry and place on a plate. Cover loosely with plastic wrap or foil. Store poultry pieces similarly. Do not stuff poultry until just before cooking.
- Fish and Seafood: Use on the day of purchase if possible. Store on a plate covered with plastic wrap, waxed paper, or foil. Rinse whole fish in cold water, pat dry, and store in a sealed plastic bag. Keep shellfish chilled and use within 1–2 days.
- Precooked Foods and Leftovers: Store in covered containers for 1–2 days. Reheat leftovers only once until steaming hot.
- Vegetable Container: Ideal for storing fresh fruits and vegetables. Avoid storing certain fruits at temperatures below 6°C for extended periods to prevent undesirable changes such as softening of the flesh, browning and/or accelerated decaying.
- Do not refrigerator avocados, bananas, and mangoes until they are ripe.

Food Storage Advice (Continued)

Fridge Storage Recommendations

- **Temperature Settings:**

Setting the temperature too high or too low can shorten the shelf life of your food, resulting in increased food waste.

- **Optimal Fridge Temperature:**

It is recommended to set the fridge temperature to +5°C and arrange food in a way that ensures optimal use of the cooling conditions inside, providing the best environment for food preservation.

Food Type	Fridge Location
Butter & Cheese	Upper Door Tray
Jams, Jars, Small Bottles, Tubes & Eggs	Middle Door Trays
Drink Cartons & Bottles	Lower Door Shelves
Fruit, Vegetables, Salad, Meat, Sausages, Cheese, Dairy Products, Canned Food and Cans, Drinks, Bottles and Tubes	Shelves and Crisper Drawer Lowest Shelf Above Crisper
Food Type	Freezer Location
Small Frozen Food	Door Tray
Packaged Frozen Foods	Freezer Drawer
Fish, Meat and Ice Cream	Lower Area or Freezer Drawer

Note: The above is a recommended guide.

Freezer Storage

- The freezer compartment serves multiple purposes such as storing deep-frozen food, making ice cubes and freezing food.
- Store at -18°C or colder. Avoid opening the freezer compartment door unnecessarily.

NOTE: Ensure that the freezer compartment door is closed properly to maintain proper freezing conditions.

Purchasing Frozen Food

- Packaging must not be damaged.
- Use by the recommended use by date, best before date or best by date.
- If possible, transport deep-frozen food in an insulated bag and place quickly in the Freezer Compartment.

Freezing Fresh Food

- When freezing food, it's important to use fresh and undamaged items. For optimal nutritional value, flavour, and colour retention, vegetables should be blanched before freezing, except for eggplants, capsicums, zucchinis, and asparagus.
- Suitable foods for freezing include cakes, pastries, fish, seafood, meat, game, poultry, vegetables, fruit, herbs, shell-less eggs, dairy products like cheese and butter, ready meals, and leftovers such as soups, stews, cooked meat and fish, potato dishes, soufflés, and desserts.
- However, foods such as lettuce, radishes, eggs in shells, grapes, whole apples, pears, and peaches, hard-boiled eggs, yoghurt, soured milk, sour cream, and mayonnaise are not suitable for freezing.

Frozen Storage Recommendations

These times vary depending on the type of food.

The food that you freeze can be preserved from 1 to 12 months (minimum at -18°C).

Food Type	Storage Time
Bacon, Casseroles and Milk	1 Month
Bread and Ice Cream	2 Months
Sausages and Pies	
Prepared Shellfish	
Oily fish	3 Months
Non-oily Fish and Shellfish	
Pizza, Scones and Muffins	
Ham, Cakes and Biscuits	4 Months
Beef and Lamb chops	
Poultry Pieces	
Butter	6 Months
Eggs (Whole and Yolks)	
Blanched Vegetables	
Cooked Crayfish	
Raw Minced Meat or Pork	
Fruit (Dry Or In Syrup), Egg Whites Raw Beef or Raw Lamb Whole Chicken Fruit Cakes	12 Months

Note: The above is a recommended guide.

Cleaning & Maintenance

Defrosting

Automatic Defrosting: With a built-in program, the unit controls the frequency and duration of freezer defrosting, eliminating the need to manually defrost the freezer.

Prior to Cleaning Your Refrigerator

- Before cleaning, always turn off the power switch and disconnect the power plug.
- Ensure no water enters the switch, control panel, door lamp, or top control box during cleaning.

LED Light Replacement

Only a professional should replace the LED light source in this product.

Cleaning

Precautions for internal and external cleaning of the refrigerator:

- Use a mild cleaner to remove dirt from the exterior of the refrigerator, then wipe with a clean, soft cloth, and allow the refrigerator to dry naturally.
- When cleaning the door sealing strip, use clean water, wipe with a dry cloth, and allow it to dry naturally. For the refrigerator body (excluding the door sealing strip), use a wet soft cloth with warm water or neutral cleaner for wiping.
- Do not directly flush the refrigerator with water as it may affect electrical insulation properties.
- Avoid using metal wipers, wire brushes, coarse abrasive cleaners, strong alkaline detergents, or flammable or toxic cleaning fluids to clean the refrigerator.
- After cleaning, connect the power plug of refrigerator and power on the refrigerator.

On Vacation

Before leaving for vacation, it's recommended to keep the refrigerator running continuously and leave foods that can be stored for a short time. If you decide to stop the refrigerator, remove all foods, disconnect the power, clean the inside of the refrigerator thoroughly, and leave the door open to prevent abnormal odours.

Power failure

Short-term power failures usually do not significantly affect the refrigerator's temperature. However, during prolonged power outages, reduce the frequency of opening the refrigerator and avoid placing fresh foods inside to prevent a rapid increase in temperature. If you anticipate a power failure, you can activate the Fast Freeze function in advance to maintain the refrigerator's temperature at the lowest setting.

Shutdown

Generally, it's not advisable to shut down the refrigerator or turn off the power switch as it may affect the refrigerator's lifespan.

Energy Saving Tips

- Make sure to keep the refrigerator away from heat source and direct sunlight.
- Before storing hot foods, cool them to room temperature and then put into refrigerator.
- Close the door timely, reduce the opening frequency, and shorten the opening time.
- When defrosting frozen foods, you can put them into the refrigerating chamber, which will assist in refrigeration of the refrigerating chamber.
- Make sure that the temperature sensor is not covered or blocked by foods, and keep proper distance with foods.

Cleaning & Maintenance

Button Failure

If you experience button failure, please check the control panel to see if the fridge is in Child Lock mode. When the fridge is in Child Lock mode, all buttons are disabled and won't function.

Low Voltage

Low voltage may prevent the compressor from starting. Consider purchasing a pressurizer of more than 1000W for the appliance's installation area to better protect your fridge.

Long Chilling Time

In high ambient temperatures, the appliance may take longer to begin chilling.

Hot Middle Beams

Feeling hot on the middle beams after the appliance has been running for some time is considered a normal phenomenon.

Dew Drops

When external air flows into the cool inner surface of the fridge, dew drops can form. During humid or rainy weather, dew drops can also form on the outer side of the fridge. This is a natural phenomenon. Wipe the water drops with a dry cloth.

Noise

Initially, the fridge may operate at a higher speed to cool quickly, resulting in louder sounds. Once the internal temperature reaches a certain level, the noise will decrease. Various sounds, such as those from the compressor starting or ending its operation, parts expanding or contracting, or control devices operating, are normal.

Compressor Heat

During operation, the compressor may become hot. Avoid touching the compressor, as it can cause serious injury. The outer temperature of the compressor can reach up to 80°C, so caution is advised.

Long Running Time

In high ambient temperatures or when the fridge is filled with a large amount of fresh food, it may take longer to cool down until the appliance reaches the set temperature.

Troubleshooting

For Minor Faults

Problem	Possible Cause	Solution
No display on the display panel	The mains plug of the appliance is not in the socket properly.	Check whether the power is on.
Alarm sound	Door is slightly open or not close more than 1 minute.	Close the door completely.
The compressor does not work	<ul style="list-style-type: none"> It is under defrosting mode Power is not connected well. 	<ul style="list-style-type: none"> It is normal for defrosting; Check whether the power is connected well
Compressor runs too long	<ul style="list-style-type: none"> The fridge has recently been disconnected for a period of time. Put too much fresh or hot food. Doors are opened too frequently or too long. 	<ul style="list-style-type: none"> It takes some hours for the fridge to cool down completely Hot food will cause the fridge to run longer until the desired temperature is reached Warm air entering the fridge cause it to run longer. Open the door less often
Vibrating noise	<ul style="list-style-type: none"> Floor is uneven or weak Items placed on the top of the fridge are vibrating Fridge is touching wall or cabinets 	<ul style="list-style-type: none"> Be sure floor is level and solid and can adequately support fridge Remove items Move fridge so that does not touch the wall or cabinets

For Serious Faults

Some minor faults can be fixed by referring to the table above, however if an emergency or serious fault occurs, immediately set all controls to their off positions and disconnect the power from the source.

If a serious fault occurs, DO NOT attempt to repair the Refrigerator yourself, instead wait for a service agent to do so.

For assistance or to organise an authorised service agent contact our After Sales Support by calling 1300 11 4357, or by emailing support@residentiagroup.com.au.

Please note that if a service agent is asked to attend whilst the product is under warranty and finds that the problem is not the result of an appliance fault, then you may be liable for the cost of the call out charge.

The appliance must be accessible for the service agent to perform any necessary repair. If your appliance is installed in such a way that a service agent is concerned that damage will be caused to the appliance or your kitchen, then they will not complete a repair.

Please refer to the Warranty Information to learn more.

Purchase Details

Attach your receipt to this page

For future reference, please record the following information which can be found on the rating plate and the date of purchase which can be found on your sales invoice.

Store Details

Store Name

Address

Telephone

| Purchase Date

Product Details

Model No.

Serial No.

Warranty Information

WARRANTY TERMS AND CONDITIONS REFRIGERATORS

This document sets out the terms and conditions of the product warranties for Residentia Group Appliances. It is an important document. Please keep it with your proof of purchase documents in a safe place for future reference should you require service for your Appliance.

1. In this warranty
 - (a) 'acceptable quality' as referred to in clause 10 of this warranty has the same meaning referred to in the ACL;
 - (b) 'ACL' means Trade Practices Amendment (Australian Consumer Law) Act (No.2) 2010;
 - (c) 'Appliance' means any Residentia Group product purchased by you accompanied by this document;
 - (d) 'ASR' means Residentia Group authorised service representative;
 - (e) 'Residentia Group' means Residentia Group Pty Ltd of 165 Barkly Ave, Burnley VIC 3121, ACN 70 600 546 656 in respect of Appliances purchased in Australia;
 - (f) 'major failure' as referred to in clause 10 of this warranty has the same meaning referred to in the ACL and includes a situation when an Appliance cannot be repaired or it is uneconomic for Residentia Group, at its discretion, to repair an Appliance during the Warranty Period;
 - (g) 'Warranty Period' means:
 - (i) where the Appliance is used for personal, domestic or household use (i.e. normal single family use) as set out in the instruction manual, the Appliance is warranted against manufacturing defects for 36 months, following the date of original purchase of the Appliance;
 - (h) 'you' means the purchaser of the Appliance not having purchased the Appliance for re-sale, and 'your' has a corresponding meaning.
2. This warranty only applies to Appliances purchased and used in Australia and is in addition to (and does not exclude, restrict, or modify in any way) any non-excludable statutory warranties in Australia.
3. During the Warranty Period Residentia Group or its ASR will, at no extra charge if your Appliance is readily accessible for service, without special equipment and subject to these terms and conditions, repair or replace any parts which it considers to be defective. Residentia Group or its ASR may use remanufactured parts to repair your Appliance. You agree that any replaced Appliances or parts become the property of Residentia Group.
This warranty does not apply to light globes, batteries, seals, filters or similar perishable parts.
4. Parts and Appliances not supplied by Residentia Group are not covered by this warranty.

Warranty Information

5. You will bear the cost of transportation, travel and delivery of the Appliance to and from Residentia Group or its ASR. If you reside outside of the service area, you will bear the cost of:
 - (a) travel of an authorised representative;
 - (b) transportation and delivery of the Appliance to and from Residentia Group or its ASR, in all instances, unless the Appliance is transported by Residentia Group or its ASR, the Appliance is transported at the owner's cost and risk while in transit to and from Residentia Group or its ASR.
6. Proof of purchase is required before you can make a claim under this warranty.
7. You may not make a claim under this warranty unless the defect claimed is due to faulty or defective parts or workmanship. Residentia Group is not liable in the following situations (which are not exhaustive):
 - (a) the Appliance is damaged by:
 - (i) accident
 - (ii) misuse or abuse, including failure to properly maintain or service
 - (iii) normal wear and tear
 - (iv) power surges, electrical storm damage or incorrect power supply
 - (v) incomplete or improper installation
 - (vi) incorrect, improper or inappropriate operation
 - (vii) insect or vermin infestation
 - (viii) failure to comply with any additional instructions supplied with the Appliance;
 - (b) the Appliance is modified without authority from Residentia Group in writing;
 - (c) the Appliance's serial number or warranty seal has been removed or defaced;
 - (d) the Appliance was serviced or repaired by anyone other than Residentia Group, an authorised repairer or ASR.
8. This warranty, the contract to which it relates and the relationship between you and Residentia Group are governed by the law applicable where the Appliance was purchased.
9. To the extent permitted by law, Residentia Group excludes all warranties and liabilities (other than as contained in this document) including liability for any loss or damage whether direct or indirect arising from your purchase, use or non use of the Appliance.
10. For Appliances and services provided by Residentia Group in Australia, the Appliances come with a guarantee by Residentia Group that cannot be excluded under the Australian Consumer Law. You are entitled to a replacement or refund for a major failure and for compensation for any other reasonably foreseeable loss or damage. You are also entitled to have the Appliance repaired or replaced if the Appliance fails to be of acceptable quality and the failure does not amount to a major failure. The benefits to you given by this warranty are in addition to your other rights and remedies under a law in relation to the Appliances or services to which the warranty relates.
11. At all times during the Warranty Period, Residentia Group shall, at its discretion, determine whether repair, replacement or refund will apply if an Appliance has a valid warranty claim applicable to it.
12. Missing parts are not covered by warranty. Residentia Group reserves the right to assess each request for missing parts in a case by case basis. Any parts that are not reported missing in the first week after purchase will not provide free of charge.
13. To enquire about claiming under this warranty, please follow these steps:
 - (a) carefully check the operating instructions, user manual and the terms of this warranty;
 - (b) have the model and serial number of the Appliance available;
 - (c) have the proof of purchase (e.g. an invoice) available;
 - (d) telephone the numbers shown below.
14. You accept that if you make a warranty claim, Residentia Group and its ASR may exchange information in relation to you, in order to enable Residentia Group to meet its obligations under this warranty.

IMPORTANT

Before calling for service, please ensure that the steps in point 13 have been followed.

Contact Service: Please call 1300 11 HELP (4357)

The Australian Consumer Law requires the inclusion of the following statement with this warranty:

Our goods come with guarantees that cannot be excluded under the Australian Consumer Law. You are entitled to a replacement or refund for a major failure and for compensation for any other reasonably foreseeable loss or damage. You are also entitled to have the goods repaired or replaced if the goods fail to be of acceptable quality and the failure does not amount to a major failure.

EST. 1981

Designed to Enhance

omega