

CPRA315MB

Product Family	Drawer
Commercial height	15 cm
Type	Reheat



Aesthetics

Aesthetic	Classic	Material	Painted material
Colour	Stainless steel	Logo	Embossed
Finishing	Matte black	Logo position	External

Controls

Type of control setting	Control knobs	Control knobs	Standard
No. of controls	1	Controls colour	Steel effect

Technical Features

Opening mechanism	Push-pull	Maximum drawer loading weight	85 kg
Base material	Stainless steel	Capacity	21 l
Drawer maximum protrusion	440 mm	Type of heating	Fan assisted
Max weight allowance	15 kg	Accessories included	Silicone antislip mat

Electrical Connection

Plug	(I) Australia	Voltage (V)	220-240 V
Nominal power	400 W	Frequency (Hz)	50-60 Hz
Current	2 A		

Logistic Information

Width (mm)

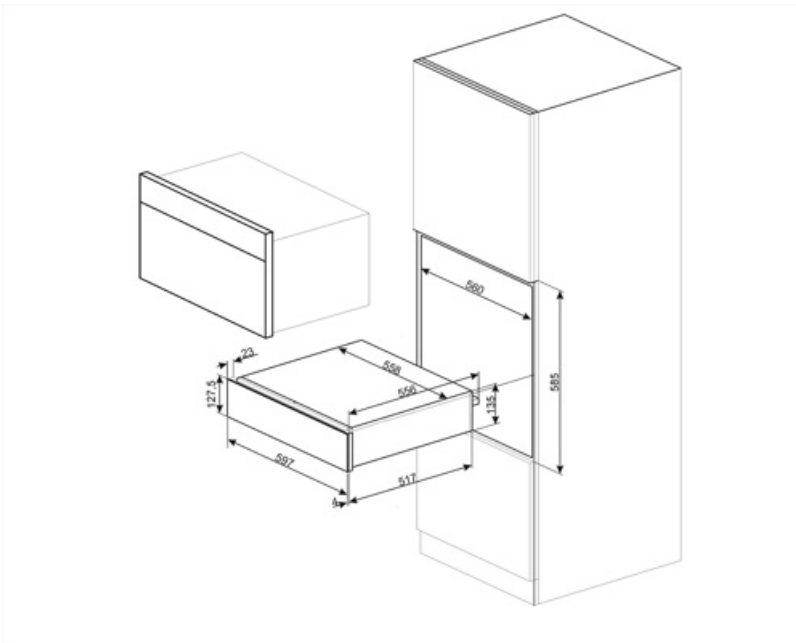
597 mm

Product Height (mm)

135 mm

Depth (mm)

538 mm



Symbols glossary



Fingerprint proof stainless steel: Fingerprint proof stainless steel keeps stainless steel looking as good as new.