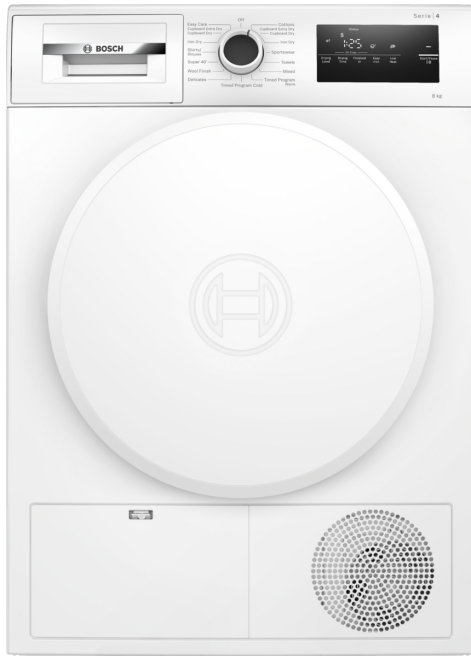


Series 4, heat pump tumble dryer, 8 kg WTH83002AU



- **ActiveAir Technology:** Reuses existing heat efficiently during the entire drying process.
- **Auto Dry:** Automatically dries to the exact degree of dryness you want.
- **Quick 40' drying:** Fast drying within 40 minutes, suitable for a small amount of synthetic fibers and thin fabrics.

Built-in / Free-standing: Free-standing
 Removable top: No
 Door hinge: Right
 Length electrical supply cord: 145.0 cm
 Dimensions (HxWxD): 842x598x613 mm
 Net weight: 54.6 kg
 Fluorinated greenhouse gases: R290
 Hermetically sealed equipment: Yes
 EAN code: 4242005506019
 Connection rating: 600 W
 Fuse protection: 10 A
 Voltage: 220-240 V
 Frequency: 50 Hz
 Capacity: 8.0 kg
 Energy efficiency rating: A++



-
- WMZ20600 Wool in basket - accessory
 - WTZ1110 Condenser drainage kit
 - WTZ11400 Stacking kit with pull-out shelf
 - WTZ20410 Stacking kit
 - WTZPW20D Platform with pull-out, dryer, cubic

Series 4, heat pump tumble dryer, 8 kg WTH83002AU

Capacity

- Capacity: 8 kg

Consumption rates

- 8 stars
- Energy consumption 135 kWh per year on Cottons, Cupboard Dry Plus, Drying level 1, used once per week. When tested in accordance with AS/NZS 2442.2. Actual energy use and running costs will depend on how you use the appliance.

Programs

- standard programmes: cotton, easy care
- Special drying programs:
 - Cottons: hard-wearing items made from cotton or linen with four desired dryless level options: Cupboard Extra Dry / Cupboard Dry / Iron Dry / Eco Easy Care: items made from synthetic or blended fabrics with three desired dryless level options: Cupboard Extra Dry / Cupboard Dry / Iron DryShirts/Blouses: designed to allow immediate ironing or hanging up shirts/blouses after the program completes.
 - Delicates: items made from satin, synthetic or blended fabrics
 - Towels: hard wearing towels and dressing gowns made of cotton
 - Mixed: items made from cotton or blended fabrics Super 40': short program for synthetic fabrics and light cottons
 - Sportswear: sports and leisure items made from synthetic fibers, microfiber or fleece
 - Timed Program Cold: manually set a custom time for loosening up or airing clothing that has hardly been worn
 - Timed Program Warm: manually set a custom time for drying slightly damp or multi layered thick items
- Touch control option settings:
 - Three dryless level options: Cupboard Dry / Cupboard Dry Plus / Iron DryEasy Iron: the drum moves the laundry at regular intervals after drying to prevent creasing
 - Low Heat: reduce the drying temperature for delicate fabrics
 - Finished in (delayed start): you can delay the start of the program by up to 24 hours

Features

- ActiveAir heat pump technology, existing heat is reused efficiently during the entire drying process
- Sensitive drying system: textile friendly drum design and SoftFlow paddles ensure soft, fluffy laundry and helps to reduce creasing
- Time delay to select end of time of your wash (1-24 hours) and time remaining indicator
- Consumption Indication: Information about energy consumption
- Easy clean filter for easy maintenance
- Easy-to-use program selector for standard, timed and special programs
- 2 time-based programs
- 7 Sensor-Care plus 2 time-based programs
- Warning indicator for lint filter
- End of cycle indicator
- Automatic drum stop when door is opened
- Large LED display for easy use
- Glass door with 170 ° opening angle
- AntiVibration design: for greater stability and quietness

Technical Information

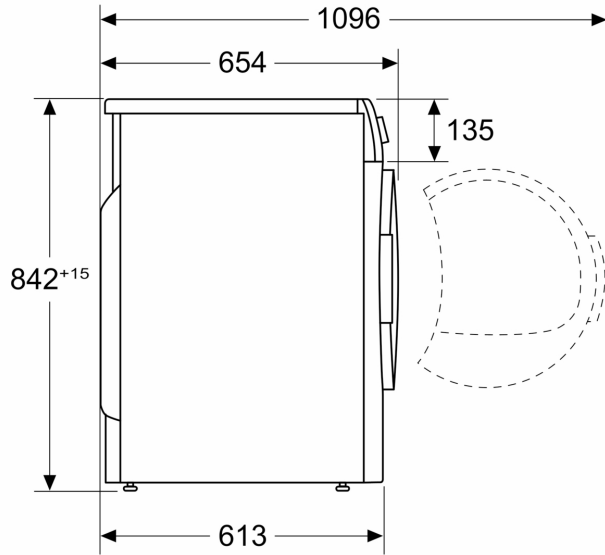
- Slide-under height of 85cm
- Dimensions (H x W x D): 84.2 cm x 59.8 cm x 61.3 cm (65.4 cm including door handle)
- Operating noise level: 65 dB(A)

Safety

- Child safety control lock

**Series 4, heat pump tumble dryer, 8
kg
WTH83002AU**

Measurements in mm



Measurements in mm

