

the Re-Fresha™ Kit

Instruction Book - LAD100



Breville®



Contents

- 2 Breville Recommends Safety First
- 6 Components
- 7 Features
- 8 Functions
- 9 Care, Cleaning & Storage

BREVILLE RECOMMENDS SAFETY FIRST

At Breville we are very safety conscious. We design and manufacture consumer products with the safety of you, our valued customer, foremost in mind. In addition, we ask that you exercise a degree of care and adhere to the following precautions.

IMPORTANT SAFEGUARDS

READ ALL INSTRUCTIONS BEFORE USE AND SAVE FOR FUTURE REFERENCE

- Carefully read all instructions before operating the mini dehumidifier for the first time and save for future reference.
- Remove and safely discard any packaging material and promotional labels before using the mini dehumidifier for the first time
- The mini dehumidifier is intended for household use only and not for commercial or industrial use. Do not use outdoors.
- Do not place the mini dehumidifier drying base near the edge of a bench or table during operation. Ensure the surface is level, clean and free of water.
- To protect against electrical hazards, do not immerse any part of the mini dehumidifier in water or other liquids.
- Always unplug the mini dehumidifier drying base when not in use.

- Do not insert any foreign objects through the openings in any part of the mini dehumidifier.
- Do not unplug the mini dehumidifier drying base by pulling on the cord.
- Do not operate the mini dehumidifier with a damaged cord or plug, or if the mini dehumidifier has been dropped or damaged in any manner. Return the mini dehumidifier to your nearest Breville service centre for examination, electrical or mechanical adjustment or repair.
- Do not place anything on top of the drying base other than the mini dehumidifier when drying or when stored.
- Never block any openings in the drying base or place the drying base on a soft surface, such as a bed or sofa when in use.
- Do not attempt to open the casing of either part of the mini dehumidifier to repair or adjust any functions. The inside of the unit contains no consumer serviceable parts. All servicing should be performed by qualified personnel only.
- Keep the mini dehumidifier clean and check openings from time to time for accumulated dust. Follow the cleaning instructions provided in this book.
- The mini dehumidifier contains small parts (silica beads) which may present a choking hazard to small children. If ingested, seek medical advice immediately.
- Only dry the mini dehumidifier using the drying base provided. Never attempt to dry by any other method.
- Do not drop either part of the mini dehumidifier.
- Do not cover the mini dehumidifier while the drying base is powered on and drying the mini dehumidifier.
- Keep the mini dehumidifier at least 10cm away from other objects while the drying base is powered on and drying to increase air flow and avoid overheating.
- Avoid touching the mini dehumidifier while it is connected to the drying base and powered on as some parts may be hot. Always allow both the mini dehumidifier and drying base to cool down before moving.

- When moving the mini dehumidifier, carry it by the top handle.
- Use this mini dehumidifier only as described in this instruction manual. Any other use not recommended by the manufacturer may cause fire, electric shock or injury and void all warranties
- The appliance is not intended for use by persons (including children) with reduced physical, sensory or mental capabilities, or lack of experience and knowledge, unless they have been given supervision or instruction concerning use of the appliance by a person responsible for their safety.

IMPORTANT SAFEGUARDS FOR ALL ELECTRICAL APPLIANCES

- Fully unwind the power cord before use.
 - Connect only to a 230V or 240V power outlet.
 - Do not let the power cord hang over the edge of a bench or table, touch hot surfaces or become knotted.
 - To protect against electric shock, do not immerse the power cord, power plug or appliance in water or any other liquid or allow moisture to come in contact with the part, unless it is recommended in the cleaning instructions.
 - Children should be supervised to ensure that they do not play with the appliance.
 - It is recommended to regularly inspect the appliance. To avoid a hazard, do not use the appliance if power cord, power plug or appliance becomes damaged in any way. Return the entire appliance to the nearest authorized Breville Service Centre for examination and/or repair.
 - Any maintenance other than cleaning should be performed at an authorised Breville Service Centre.
 - This appliance is for household use only.
 - Do not use this appliance for anything other than its intended use. Do not use in moving vehicles or boats. Do not use outdoors.
- Misuse may cause injury.**

- The installation of a residual current device (safety switch) is recommended to provide additional safety protection when using electrical appliances. It is advisable that a safety switch with a rated residual operating current not exceeding 30mA be installed in the electrical circuit supplying the appliance.
- See your electrician for professional advice.
- During electrical storms, the appliance should be disconnected from the power source at the wall socket to prevent any electrical surges that may arise during the storm and which may inadvertently cause damage to the appliance and its electronic componentry.
- Always turn the appliance to the OFF position, switch off at the power outlet and unplug at the power outlet when the appliance is not in use.
- Before cleaning, always turn the appliance to the OFF position, switch off at the power outlet, unplug at the power outlet and remove the power cord, if detachable, from the appliance and allow all parts to cool.
- Do not place this appliance on or near a heat source, such as hot plate, oven or heaters.
- Position the appliance at a minimum distance of 20cm away from walls, curtains and other heat or steam sensitive materials and provide adequate space above and on all sides for air circulation.



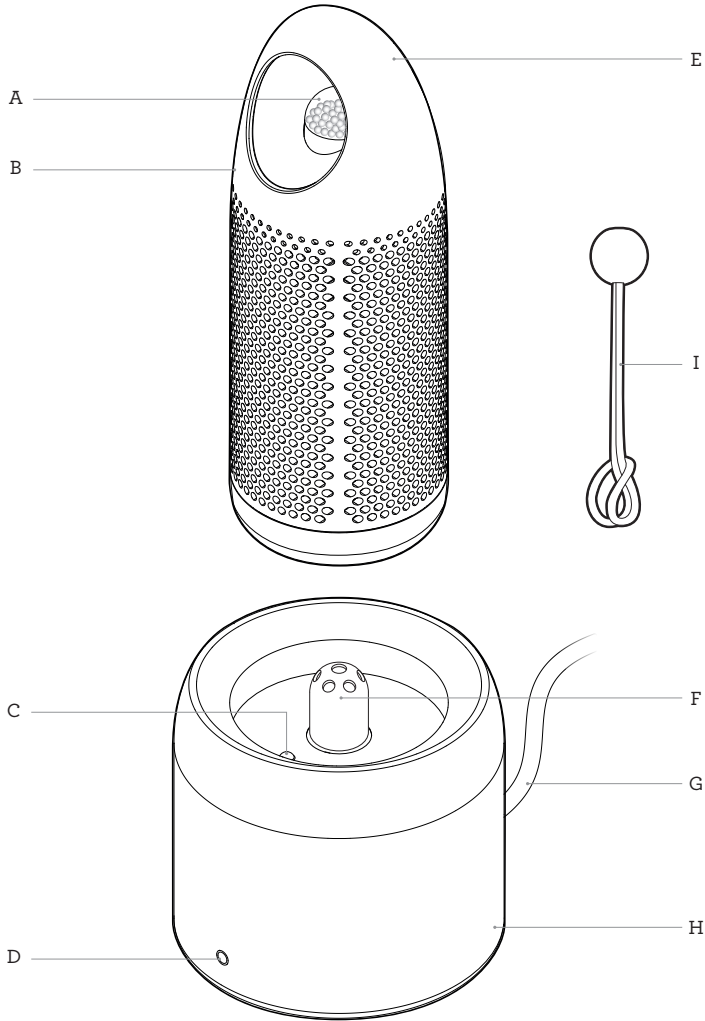
WARNING

To avoid electric shock, do not connect the plug to the power outlet when hands are wet.

**FOR HOUSEHOLD USE ONLY
SAVE THESE INSTRUCTIONS**



Components



- A. Moisture status viewing window
- B. Mini dehumidifier
- C. Detector switch
- D. Indicator light
- E. Handle

- F. Hot air outlet
- G. Power cord
- H. Drying base
- I. Elastic hanging cord



Features

WHAT IS A DEHUMIDIFIER?

Your Breville mini dehumidifier is designed to reduce moisture in small and compact spaces, such as wardrobes and drawers, to prevent mould and mildew in its surrounds. The mini dehumidifier is reusable and perfect for protecting closets, wardrobes, drawers, bookcases, handbags, cars, and shoe boxes where excess moisture may be present.

This device is designed for compact enclosed spaces. For larger open spaces please review on breville.com for more suitable models.

HOW DOES A SILICA BEAD DEHUMIDIFIER WORK?

The silica beads absorb moisture from the air surrounding the unit and the beads in the viewing window change colour to indicate when they are saturated and need drying. When the beads in the viewing window turn green, return the mini dehumidifier to the drying base to dry. Once the silica beads turn orange again, the mini dehumidifier is ready for dehumidification once again.



NOTE

The drying base is only for drying the mini dehumidifier and is not required during dehumidification. Only the drying base

contains electrical parts.

BEFORE FIRST USE

1. Before using your mini dehumidifier for the first time, remove all packaging material and promotional labels.
2. Check for any missing or damaged parts as per the components list.
3. Clean all parts according to the Care, Cleaning & Storage section of this book.
4. Check the colour of the silica beads in the viewing window.
 - **Orange** indicates the mini dehumidifier is ready to use for dehumidification.
 - **Green** indicates the mini dehumidifier needs to be dried using the drying base provided.

DRYING THE MINI DEHUMIDIFIER

If the silica beads in the viewing window are green, the beads have absorbed moisture to capacity and it is time to place the unit on the drying base. Use only the drying base designed to be used with this mini dehumidifier to dry.

1. Position the base at least 10cm from any obstructions before use.
2. Connect the power plug of the drying base to a 230V or 240V outlet and switch on at the outlet. A white indicator light will flash on the drying base indicating the base is in standby mode.
3. Place the mini dehumidifier onto the drying base. This will engage the detector switch and activate the hot air outlet to begin drying the silica beads. The indicator light will illuminate green while drying and the silica beads will gradually change colour from green to orange.
4. The drying base will operate for 2 hours, then automatically stop and return to standby mode.
5. Once drying is complete, the indicator light will flash white again as the drying base

returns to standby mode. The silica beads should now be orange.

NOTE

If after 2 hours of drying the silica beads do not change to orange, more drying time is required. This may be due to environmental factors. To restart the cycle and continue drying, remove the mini dehumidifier from the drying base for 3 seconds before replacing back onto the drying base to dry for a further 2 hours.

If the mini dehumidifier is removed from the drying base before the drying cycle has finished, the indicator light will stay green and the fan in the drying base will continue to operate for 1 minute to cool the unit down before returning to standby mode and the light will illuminate white.

Remove the mini dehumidifier from the drying base and unplug the base from the power outlet when not in use. When the beads are orange, the mini dehumidifier is now ready to use for dehumidification.

NOTE

Placing the mini dehumidifier on the drying base will start the 2 hours drying cycle. If, during this process, the unit is disturbed, such as being removed or knocked, the drying cycle will reset back to 2 hours.

WARNING

After drying, the mini dehumidifier and hot air outlet will be hot. Use the handle to remove the mini dehumidifier from the drying base.



Functions

USING YOUR BREVILLE MINI DEHUMIDIFIER

- Your Breville mini dehumidifier is a versatile and compact solution to remove moisture from small and compact spaces.
- Additional units of the mini dehumidifier can be purchased separately without the drying base, to be used in multiple spaces. Look out for the Kit version on breville.com.au or at a electrical retail stockists.
- Place the mini dehumidifier only (do not use the drying base) in your chosen location to absorb moisture. As moisture starts to be absorbed from the air, the silica beads will begin to turn colour. Once the silica beads turn green, return the mini dehumidifier to the drying base to dry before further use.
- An elastic hanging cord is also provided for your convenience. Use the hanging cord if you want to hang the mini dehumidifier, for example, from a closet rod or coat hanger.



Care, Cleaning & Storage



WARNING

Before cleaning or maintenance of the drying base, ensure the power is switched off at the outlet and the plug is removed.

CLEANING YOUR MINI DEHUMIDIFIER

1. Keep the mini dehumidifier upright when cleaning.
2. Wipe the mini dehumidifier body with a soft, dry cloth to remove any excess dust.
3. To remove dirt that may have built up on the body, wipe with a damp cloth only.

CLEANING YOUR DRYING BASE

1. Ensure the drying base is switched off at the outlet and the plug is removed before cleaning.
2. Keep the base upright when cleaning.
3. Wipe the base with a soft, dry cloth for any excess dust.
4. To remove dirt that may have built up on the base, wipe with a damp cloth only.



NOTE

Do not use any objects, such as a wire brush, that may scratch to clean the mini dehumidifier or drying base.

STORAGE

1. Disconnect the drying base from the power outlet.
2. Clean the mini dehumidifier and drying base as per instructions.
3. Store the mini dehumidifier on the drying base upright and avoid standing in direct sunlight if leaving for long periods.
4. Never store anything on top of the mini dehumidifier.



Notes



Notes

Breville Customer Service Centre

Australian Customers

Phone: 1300 139 798

Web: www.breville.com

New Zealand Customers

Phone: 0800 273 845

Web: www.breville.com

Breville®

Master Every Moment™

Breville, the Breville logo, Master Every Moment and Re-Fresha are trademarks of Breville Pty. Ltd. A.B.N. 98 000 092 928.
Copyright Breville Pty. Ltd. 2022.

Due to continued product improvement, the products illustrated/photographed in this booklet may vary slightly from the actual product.

LAD100 ANZ A22