

# 76cm Series 9 Minimal Pyrolytic Oven

Minimal

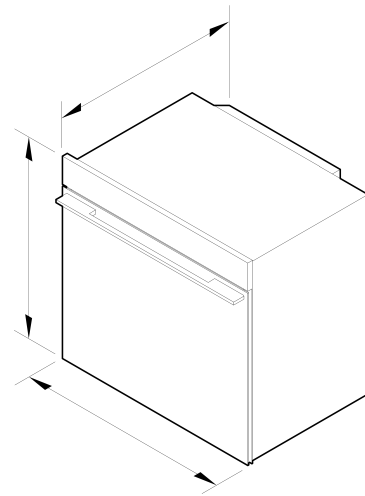


This refined Minimal oven with pyrolytic cleaning features a large 6.8" touchscreen and method-led cooking for perfect results.

- Create perfect results with precise cooking methods, including Air Fry and Slow Cook, via the large 6.8" touchscreen
- Full-extension sliding shelves make it easy to take hot dishes out of the oven
- Generous capacity with twin vertical fans, for even cooking across multiple shelves
- SmartHQ™ app offers the ability to preheat remotely or check cooking progress

## DIMENSIONS

Height	729 mm
Width	758 mm
Depth	595 mm



## FEATURES & BENEFITS

### EXCEPTIONAL PERFORMANCE

Experience unmatched performance and effortless convenience with precise cooking methods and pyrolytic cleaning. Guided by a deep understanding of the science of cooking, we've mastered the balance of heat, humidity and airflow to deliver precise cooking methods, from Air Fry to Slow Cook, that bring out the full potential of every ingredient. With Twin Vertical Fans, and ActiveVent™ technology to manage humidity levels, you can expect consistently perfect results on every shelf.

### MASTERY OF TEMPERATURE

Whether you want to Proof Bread, Roast Chicken or Bake Pastry, each of our precise cooking methods has been carefully calibrated with the optimal combination of heat, temperature, and humidity to help preserve texture, retain nutrients, and enhance flavour. With additional guidance for multi-shelf cooking and the Temperature Sensor, it brings true mastery of temperature to every dish.

### CONSIDERED DESIGN

Every detail of our Minimal style appliances has been meticulously designed. With a black glass finish, refined handle, and intuitive 6.8" touchscreen, every element aligns beautifully. Create your ultimate kitchen solution with our range of ovens and companion products, creating a seamless and cohesive look when installed side by side or stacked — with perimeter gaps as small as 2 mm. The perfect pairing of style and precision for your kitchen.

### GENEROUS CAPACITY

An expansive 137L capacity provides plenty of room for all your dishes, whether it's everyday meals, family feasts, or entertaining a crowd. The full-extension, non-tip shelves glide effortlessly, making it simple and safe to remove hot dishes.

### EFFORTLESS CLEANING

For effortless wipe-downs, pyrolytic cleaning uses very high temperatures to turn residues into fine ash, while the removable crumb tray sits discreetly under the door hinge to catch drips or crumbs and is easily removed for cleaning. The redesigned door showcases remarkable engineering — a gentle push lifts the glass out smoothly, making deep cleaning simple and satisfying.

### MULTI-FUNCTIONAL ACCESSORIES

Thoughtfully designed accessories expand your cooking possibilities. The Multi-Functional Air Fry Tray adapts seamlessly for Air Frying, Baking, or Grilling, its perforated design ensuring even airflow. Multi-use by design, it reduces storage needs and helps to support a sustainable kitchen, while the Wired Temperature Sensor delivers real-time monitoring and useful alerts.

**CONNECT AND CONTROL**

Connected cooking brings intelligence and ease to your kitchen. With WiFi and the SmartHQ™ app, you can monitor and control your oven remotely, receive real time notifications, and access helpful guidance. Software updates are delivered through the app to keep your appliance current with the latest features and functionality. Voice control with Google Assistant offers hands free convenience, while our temperature sensors support precise, confident cooking.

**SPECIFICATIONS**

**Accessories (included)**

Full extension sliding shelves	<b>2</b>
Multi-functional Air fry tray	<b>1</b>
Roasting dish	<b>1</b>
Wired temperature sensor	<b>1</b>

**Capacity**

Shelf positions	<b>8</b>
Total capacity	<b>137 L</b>
Usable capacity	<b>130 L</b>

**Cleaning**

- Acid resistant graphite enamel
- Pyrolytic-proof side ladders
- Removable oven door
- Removable oven door inner glass
- Removable side ladders

**Connected Features**

- Alerts and notifications
- Education and onboarding
- Monitoring
- Remote operation
- Software updates

**Controls**

- Adjustable audio and display settings
- Audio feedback
- Automatic cooking/minute timer
- Automatic pre-set temperatures
- Celsius/Fahrenheit temperature
- Certified Sabbath mode
- Delay start
- Guided touchscreen cooking
- Halogen lights
- Intuitive touchscreen display
- Multi-language display **true**
- Smart appliance
- Soft close doors
- Temperature sensor
- True convection oven

- Voice control
- Wireless temperature sensor compatible

**Functions**

- Air fry
- Bake
- Classic bake
- Classic fan
- Dehydrate
- Fan bake
- Fan forced
- Fan grill
- Grill
- Maxi Grill
- Number of functions **13**
- Roast
- Slow cook
- Vent bake

**Performance**

- ActiveVent™ system
- AeroTech™ technology
- Automatic rapid pre-heat
- Method Cooking

**Power requirements**

- Rated current **20 A**
- Supply frequency **50 Hz**

Supply voltage **220 - 240 V**

---

[↓](#) Safety & Warnings (English)

[↓](#) SketchUp

#### Product dimensions

Depth **595 mm**

Height **729 mm**

Width **758 mm**

---

#### Where applicable:

All appliances use energy, and energy usage typically generates carbon emissions. **Fisher & Paykel Appliances' In-use Energy Carbon Emissions Estimate** indicates carbon emissions from a product's in-use energy. This is calculated either annually or per cycle, using the product's market-specific energy label energy consumption data multiplied by the carbon emissions factor for energy in your country or region.

Our In-use Energy Carbon Emissions Estimate is designed to assist customers in making informed purchasing decisions when comparing different Fisher & Paykel products. For example, a heat pump dryer typically has a lower In-use Energy Carbon Emissions Estimate than a vented dryer.

#### Safety

Control panel key lock •

---

SKU **84278**

---



#### A PEACE OF MIND SALE

**24 Hours 7 Days a Week Customer Support**

T 0800 372 273 W [www.fisherpaykel.com](http://www.fisherpaykel.com)

The product dimensions and specifications in this page apply to the specific product and model. Under our policy of continuous improvement, these dimensions and specifications may change at any time. You should therefore check with Fisher & Paykel's Customer Care Centre to ensure this page correctly describes the model currently available. © Fisher & Paykel Appliances Ltd 2020

#### Other product downloads available at [fisherpaykel.com](http://fisherpaykel.com)

[↓](#) DWG

[↓](#) DXF

[↓](#) Care & Maintenance (English)

[↓](#) First Use (English)

[↓](#) Installation Guide (English)

[↓](#) Planning Guide - 76cm Minimal (English)

[↓](#) Revit

[↓](#) Rhino