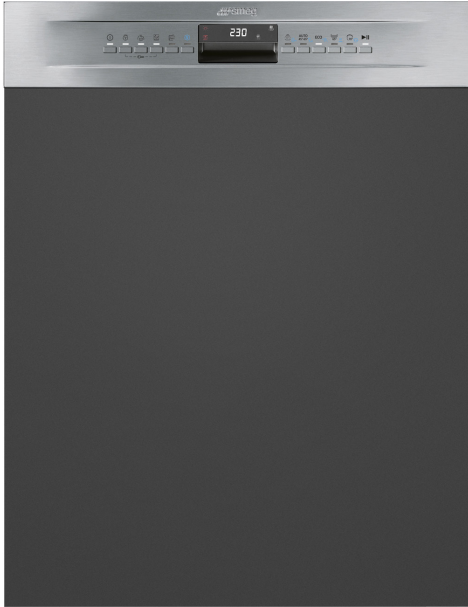
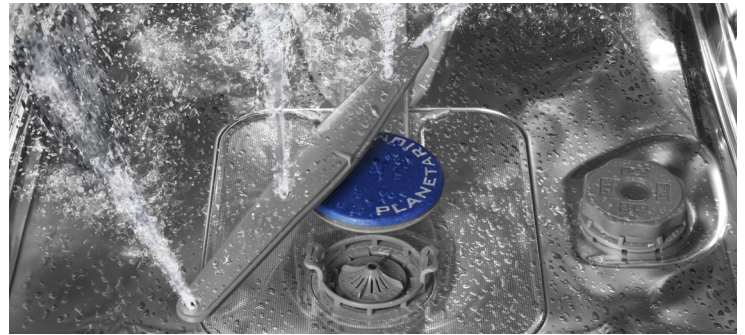


DWAI6234X4 SMEG STAINLESS STEEL SEMI-INTEGRATED DISHWASHER



PLANETARY WASH SYSTEM

The unique, patented planetary wash system from Smeg consists of a circular support and a double high-speed simultaneous movement spray arm, which means that the water reaches every point of the chamber, ensuring excellent washing results and low water consumption.



EAN 8017709351243

Size	598mmW x 570mmD x 818 - 858mmH
Capacity	14 place settings
Finish	Stainless Steel control panel
Display	LED with time remaining indicator
Programs	10 +1 programs
End of cycle indicator	On display, with acoustic signal
Baskets	2 Levels + cutlery basket
Wash system	Planetary wash system
Water softener	Yes
Temperatures	7 - 38°, 45°, 50°, 55°, 65°, 70°, 75°C
Features	Special programs Inverter motor Acquatest turbidity sensor ½ load FlexiZone Upper basket adjustable in three levels on telescopic guides Water softener Self balancing hinges
Water connection	Cold or hot water connection (60°C max)
Timer	Up to 24 hours, with automatic soak
Filtration	Stainless steel 5 stage filtration
Drying	Natural condenser drying, with Dry Assist + automatic door opening system at the end of the cycle
Safety	Total Acquastop anti flood protection system Child safety system (control lock)
Noise	43 dB(A) re 1pW
Energy consumption	230 kWh per year using ECO program
Water consumption	10.4 litres per wash cycle using ECO program
Power	1800 W 220-240V /50 Hz/10 amp
Warranty	Five years parts and labour

DRY ASSIST+ AUTO DOOR OPENING

In addition to saving energy, it ensures perfect drying of dishes by opening the door automatically at the end of the wash cycle

HYGIENE 99.9%

High-temperature washing programme. The 75° rinse guarantees the removal of 99.9% of germs and bacteria, making it ideal for sanitising cutting boards and baby's bottles.

FULL EXPRESS 60'

The Full Express 60' program is designed to wash and dry a full load of crockery and glassware in 1 hour, making it ideal for everyday use.

AQUATEST - TURBIDITY SENSOR

The Auto wash program uses a turbidity sensor to measure the particles suspended in the water throughout the wash cycle. Based on the level of soiling detected, the program adjusts the temperature, duration, and water usage to optimise cleaning efficiency.



ID241015

DISHWASHERS

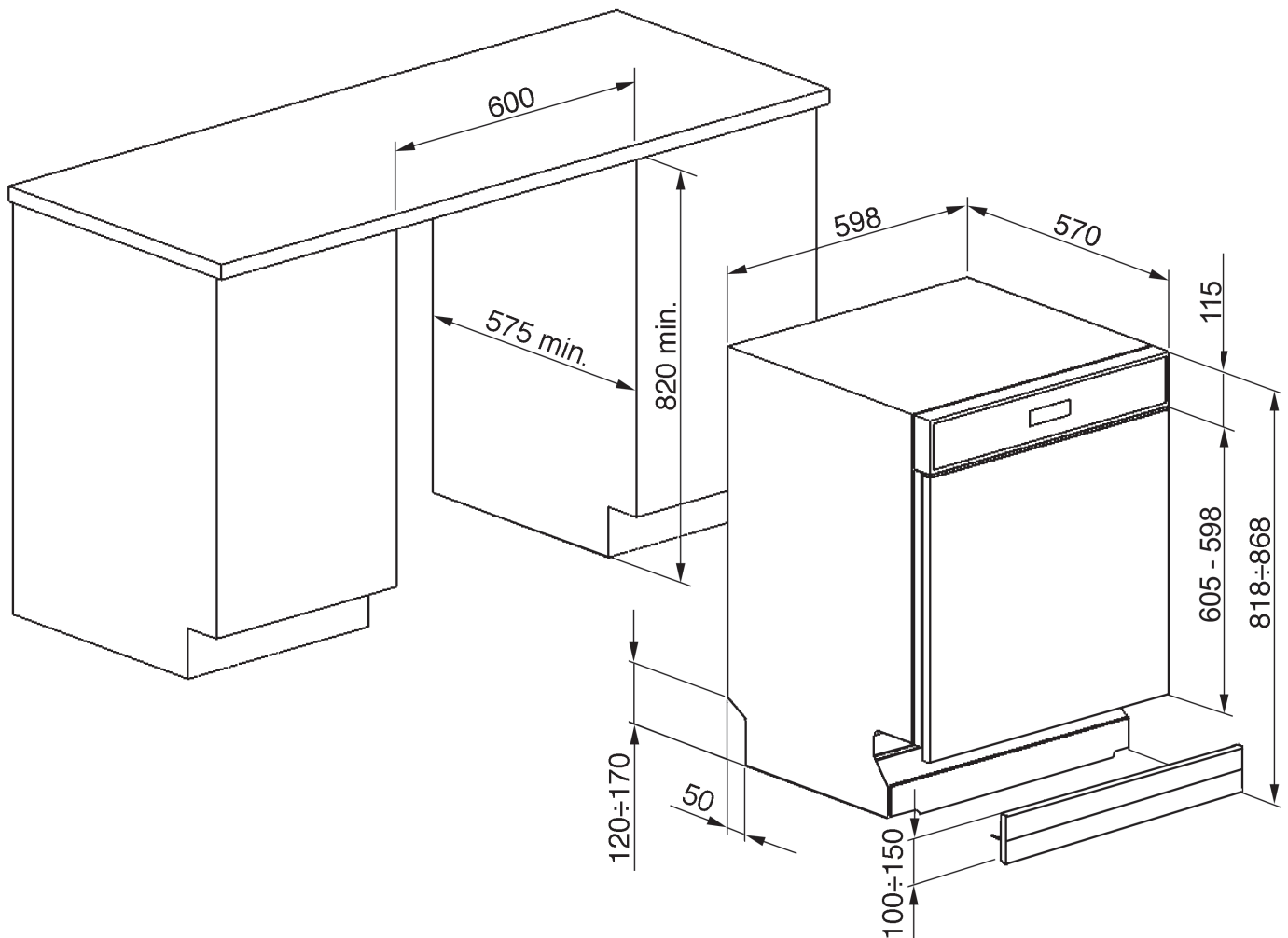
Wash programs



Additional functions



Special wash programs



PLEASE NOTE: drawings are not to scale. They are to assist only.

WARNING: technical specifications and product sizes can be varied by the manufacturer without notice.

Cutouts for appliances should only be by physical product measurements. The above information is indicative only.