



OCS8487S

Installation type: Built-in
 Range: Craft
 Available colour: Stainless Steel
 Product dimensions (HxWxD): 45,5 x 59,5 x 54,6 cm
 5 Air Flow System, Pure steam system, Oven volume 50l, Aqua Clean (ASKO) BW, Steam clean, 1 level telescopic fully extendable, SousVide, Auto Roast, Full steam function, Eco



5 Air Flow System



Pure steam system



50 LITRE Oven volume 50l



Steam clean



1 level telescopic fully extendable



SousVide



Auto Roast

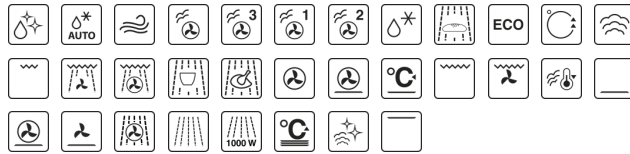
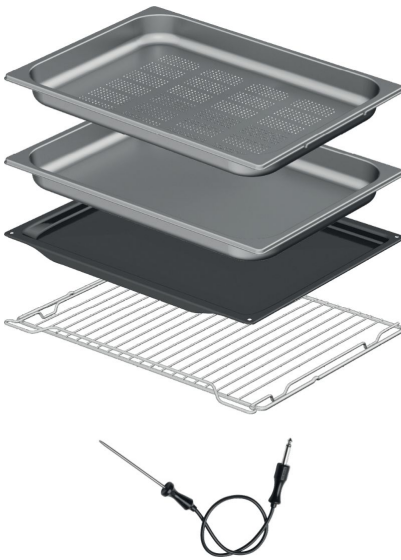


Full steam function



Eco

Standard accessories



Aqua clean, Auto defrost, Clean air, Combi steam, Combi steam high, Combi steam low, Combi steam middle, Defrosting, Defrosting bread, Eco, Fast preheat, Full steam function, Grill, Grill fan microwave, Grill with fan and microwaves, Heating beverage, Heating meal, Hot air, Hot air bottom heat, Keep warm, Large grill, Large grill fan, Low temperature steam, Lower heater, Lower heater with circular and fan, Lower heater with fan, Micro hot air, Microwave, Microwave 1000w, Plate warming, Pro Roast (ASKO), Pyrolytic Clean (ASKO), Regenerate (ASKO), Sous vide program (ASKO), Steam clean, Upper and lower heater (ASKO), Upper heater

Construction & Performance

- Hot air convection
- Maximum oven temperature: 230 °C
- Meat probe
- Multi Steam 360

Use & Flexibility

- Oven lighting: Both sides
- Water container: 1,3 l
- Oven useful volume (old energy label): 50 l
- OpenView
- Fully extendable guides
- Number of trays and grids: 4
- Grid
- Steam tray
- 1 full width perforated steam tray
- 1 Shallow tray

Interaction & Control

- Digital display
- Full colour display
- Knob shape: Ergonomical dials

Programs, options and modes

- Number of oven functions: 19
- Number of cooking programs: 160
- Lower heater BIO
- Upper Heater
- Lower and upper heater
- Small infra heater
- Large Infra Heater
- Large infra heater with ventilation
- Circular heater
- Eco-function
- Lower heater and fan
- Lower heater with fan BIO
- Strong steam
- Medium steam

ASKO Appliances Pty Ltd - 35 Sunmore Close - MOORABBIN VIC 3189
 Phone: 1300 00 2756 - Fax: 03 8551 2220
 Email Address: sales@asko.com.au - www.asko.com.au

ASKO
 Inspired by Scandinavia

- Low steam
- Steam baking
- SousVide
- Defrost cooker
- WarmPlate
- StayWarm function
- Fast Preheat
- STEP Bake
- Auto roast function

Design & Integration

- Door material: Glass
- Available colour: Stainless Steel
- Touch Free Inox
- Tinted door glass
- Integration side trims
- Adjustable feet: 4
- Niche dimensions (HxWxD): 45 x 56 x 55 cm

Safety & Maintenance

- Dynamic oven cooling plus - DC+
- Soft open and gentle close door hinge
- Removable flat oven inner door glass surface
- AquaClean function
- Steam cleaning
- SousVide
- Descaling

Technical data

- Consumption in standby mode: 1 W
- Energy class: A+
- Oven consumption (conventional operation): 0,82 kWh
- Oven consumption (venting operation): 0,62 kWh
- Energy consumption conventional oven (old energy label): 0,82 kWh
- Energy consumption forced air assisted oven (old energy label): 0,62 kWh
- Connection rating: 2900 W
- Voltage: 220-240 V
- Nominal current: 16 amp
- Frequency: 50 Hz

Dimensions

- Product dimensions (HxWxD): 45,5 x 59,5 x 54,6 cm
- Length electrical cord: 1,5 m
- Net weight: 36,4 kg

Logistic information

- Dimensions of packed product (HxWxD): 55 x 66 x 70 cm
 - Gross weight: 41,1 kg
 - Product code: 500351
 - EAN code: 3838942106620
 - Product area: Kitchen
 - Market: Domestic
 - Range: Craft
-

