




## HydroTap G5 BCSHA Celsius Plus All-In-One Brushed Bronze

Boiling Chilled Sparkling

 **Finish:** Brushed Bronze

**Product code:** H5M783Z15AU

**Capacity:** Residential

Zip HydroTap Design Range CELSIUS PLUS All-In-One Boiling, Chilled & Sparkling Filtered water, plus Hot and Cold washing up water from a single tap (hot and cold water supply required). The intuitive touch-pad with antimicrobial protection operates the filtered drinking water, while the lever dispenses unfiltered hot and cold water. Enhanced sparkling water delivery every time with an optimised aerator hidden inside the elegant spout of the tap. The system features a single under bench command centre including full colour interactive touch screen display with pin code protection and customisable settings including boiling water safety mode, 3 energy saving modes including ON/OFF timers and 2 hour sleep mode, 'Quiet' mode with automated intelligent fan speed adjustment, antimicrobial protection impregnated into key water paths for enhanced hygiene, 100% water efficient air cooled technology, 0.2 micron water filtration, and 2 disposable CO2 cylinders. This product is available from selected specialist retailers. Click the "Find your Specialist Retailer" link to find your local showroom.

# Specifications

Product name	HydroTap G5 BCSHA Celsius Plus All-In-One Brushed Bronze
Product code	H5M783Z15AU
Filtered water type	BCSHA
Product approvals	WaterMark, RCM, ARC
Warranty	3-years comprehensive parts and labour or 5-years with a Zip Certified Installation
Chilling Technology	Air cooled technology making it 100% water efficient

# Plumbing

Water supply requirements	Cold
Water connection	1/2" BSP (G1/2)
Water valves	Integrated 500kPa Pressure limiting valve and Dual Check Valve
Water pressure	Min 250kPa - Max 700kPa

# Electrical

Power rating	1.8kW 220-240V 50Hz
Power supply	1 × 10 Amp socket outlet

# Tap design

Tap	Zip HydroTap Design Range CELSIUS PLUS All-In-One (Brushed Bronze)
HydroTap style	Celsius Plus All-In-One
Finish	Brushed Bronze
Disability options	Unavailable

# Command centre

Dimensions	W339mm x D483mm x H333mm
------------	--------------------------

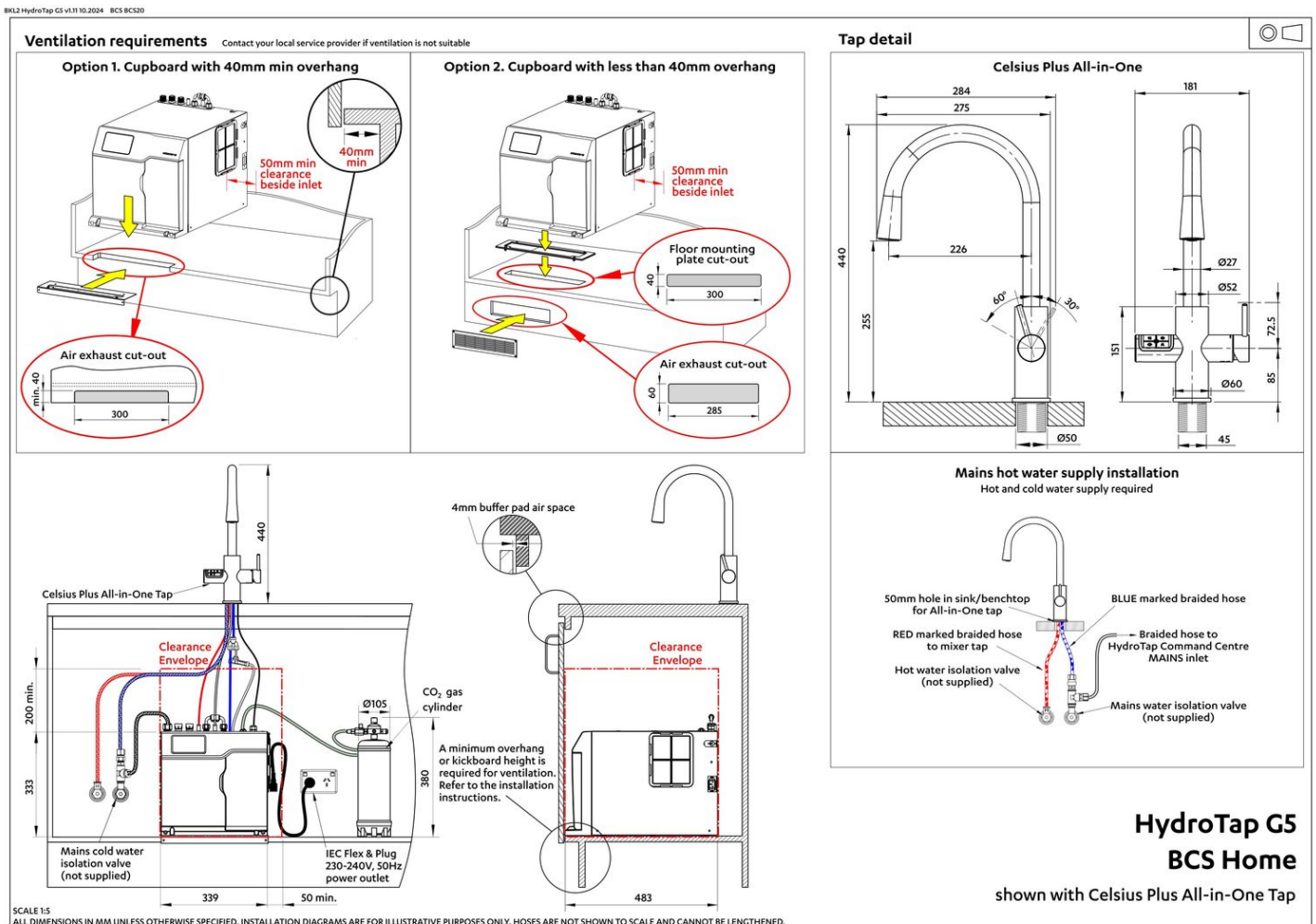
# Installation

## Installation requirements

1. Installation and connection of your Zip HydroTap must be carried out by a Zip Certified service technician, observing national and local regulations.
2. You will require suitable mains electrical and drinking water connections, plus waste water drainage all within 1 metre of the product.
3. Zip HydroTap is air-cooled so discrete cabinetry cut-outs are required for ventilation.
4. Installation on most bench tops is straightforward however some stone bench tops may require a specialised cutting service.
5. Installation by Zip Professional Service can be arranged with a phone call or through [www.zipwater.com/book-service-visit](http://www.zipwater.com/book-service-visit)

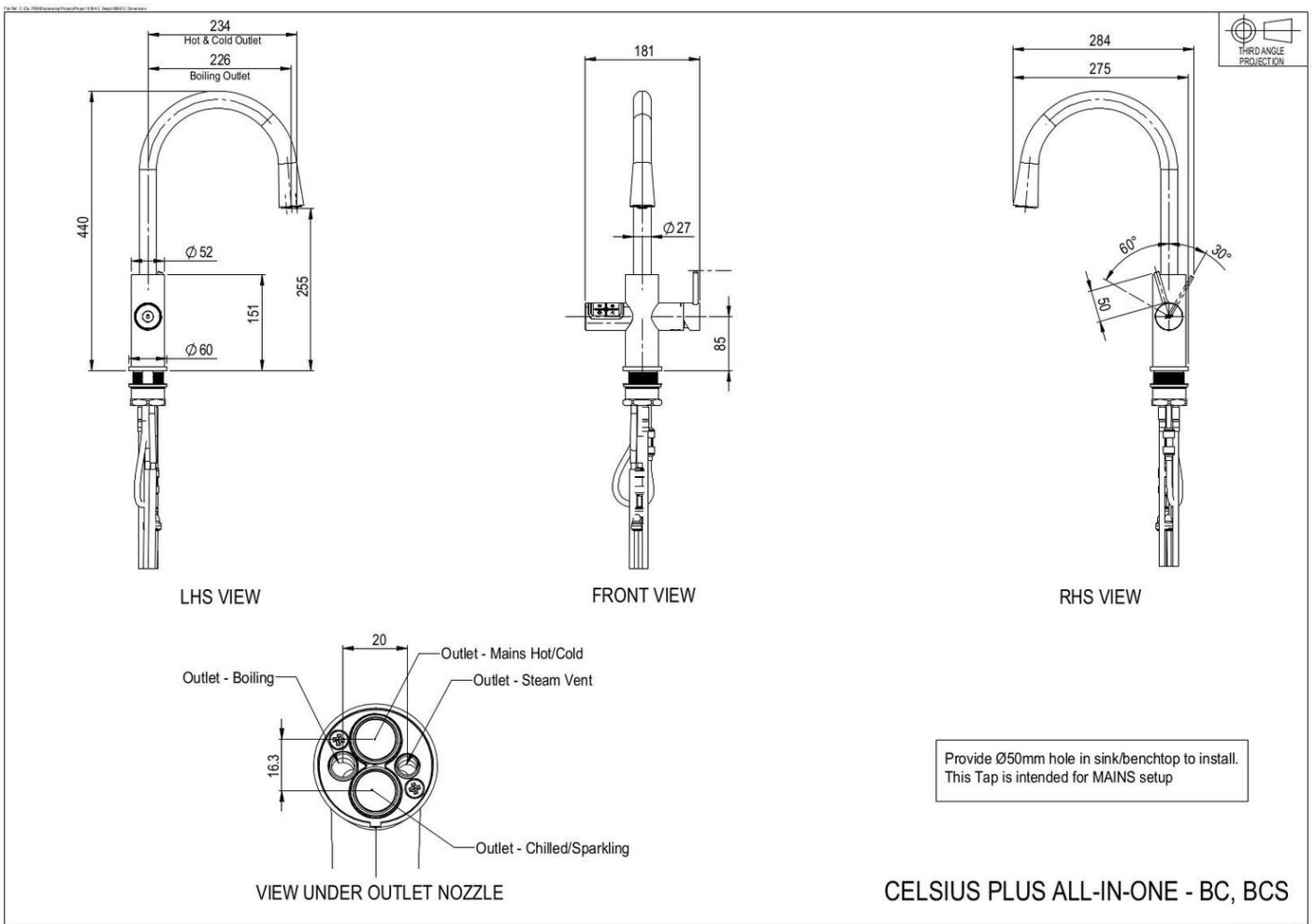
## Files

Installation Layout 3D (DWG)



Installation Layout (PDF)

Tap Detail (DWG)



Tap Detail (PDF)

## BIM files

LCF

ArchicAD Swift  
Globals Library  
(LCF)

LCF

ArchicAD Zip Water  
Library (LCF)

RVT

Revit Virtual  
Showroom (RVT)

Download all

# Certifications



OHS  
ISO 45001



Environment  
ISO 14001



Quality  
ISO 9001



↓ Health & Safety (PDF)



↓ Environment ISO (PDF)



↓ Quality ISO (PDF)



↓ Environmental Product Declaration Brochure (PDF)



↓ ARC (PDF)



↓ Filter performance (PDF)



↓ HydroTap Clean SDS (PDF)

# Manuals & brochures



↓ Brochure (PDF)



↓ CO<sub>2</sub> MSDS (PDF)



↓ Instruction manual (PDF)



↓ Quick guide (PDF)



↓ Tap operation label (PDF)



↓ User manual (PDF)

↓ Download all