

**Series 2, Slideout rangehood, 60 cm,
Silver metallic
DFM064W54A**



**Slideout rangehood: barely visible
integrated in the wall unit, this ensures a
sleek and clear kitchen finish.**

- 3-Speed Power Level Options To Suit Your Cooking Style And Recipes
- Dishwasher-safe metal grease filters for easy cleaning.
- **Grease filtration level:** filters out over 85% of the grease from kitchen air
- **LED lighting:** for perfect, energy-efficient illumination of the cooktop.
- With exhaust, the air is cleaned by a grease filter and then ducted to the outside which ensures optimal kitchen air quality.

Technical Data

Typology : Pull-out

Length electrical supply cord : 175 cm

Min. required niche size for installation (HxWxD) : 162mm x 526.0mm x 290mm mm

Minimum distance above an electric cooktop : 430 mm

Minimum distance above a gas cooktop : 650 mm

Net weight : 8.9 kg

Type of control : mechanical

Number of power settings : 3

Maximum output air extraction : 388 m³/h

Maximum output recirculating air : 257 m³/h

Number of lights : 2

Noise level : 67 dB(A) re 1 pW

Diameter of air outlet : 120 / 150 mm

Grease filter material : Washable aluminium

EAN code : 4242005252435

Connection Rating : 108 W

Fuse protection : 10 A

Voltage : 220-240 V

Frequency : 50 Hz

Plug type : AU plug

Installation type : Built-in



4 242005 252435

Series 2, Slideout rangehood, 60 cm, Silver metallic DFM064W54A

Slideout rangehood: barely visible integrated in the wall unit, this ensures a sleek and clear kitchen finish.

- Appliance width: 598 mm
- Install into a 60cm wide wall cupboard
- Ducted and recirculated-air operation
- Accessory required for recirculation mode: Standard recirculation kit

Design

- Appliance colour: Steel body, metallic finish

Comfort

- 3 power settings
- rocker switch for power and light
- Automatic On/Off operation when telescopic canopy is pulled out and pushed back
- 2 x 1.5W LED
- Colour Temperature: 3500 K

Cleaning

- Dishwasher safe metal grease filters
- Cassette with alu frame

Performance

- Extraction rate exhaust air according to EN 61591: max. 389 m³/h
- Noise min./max. Normal Level: 59/67 dB
- Average Energy Consumption: 40.3 kWh/year
- 1 single inlet horizontal, Capacitor motor

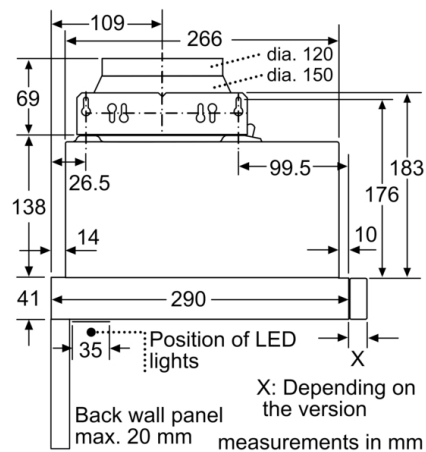
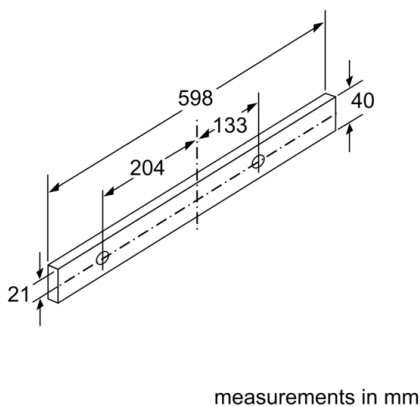
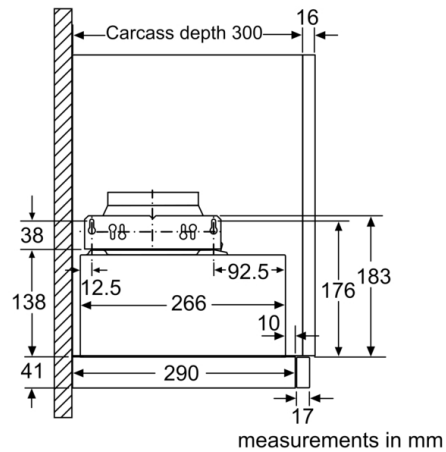
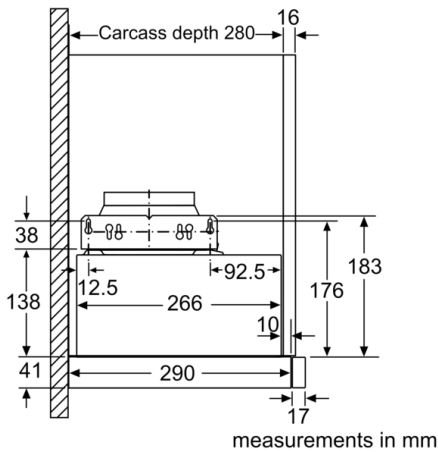
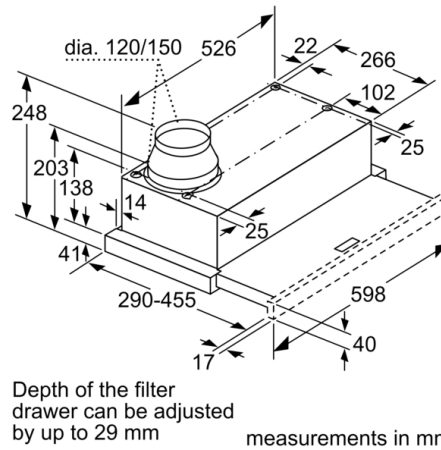
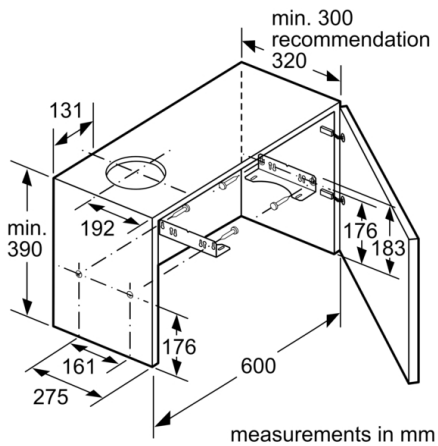
Planning and installation information

- Appliance dimensions (HxWxD): 203 x 598 x 290 mm
- Built-in dimensions (HxWxD): 162 x 526 x 290 mm
- Diameter pipe Ø 150 mm (Ø 120 mm enclosed)
- Electrical cable length 1.75 m

Consumption Data

- Power rating: 108 W

Series 2, Slideout rangehood, 60 cm, Silver metallic
DFM064W54A



**Series 2, Slideout rangehood, 60 cm, Silver
metallic
DFM064W54A**

