

N 90, INTEGRATED RANGEHOOD, 86 CM, BLACK
D86NPC1S0A



Your undermount rangehood fits discreetly into your cabinet for more spacious versatility in the home

- ✓ Efficient Drive Motor – Quiet and energy-efficient motor for a calmer kitchen.
- ✓ Intensive Setting – A peak performance beats steam during intense cooking with automatic revert.
- ✓ Hidden Design: Seamlessly integrate your hood in a flush fitted cupboard design.
- ✓ LED Lighting – Clear illumination while you cook.
- ✓ Dimmer Function: Easily dim the light according to your mood with the touch of a finger.

Z5135X1	Standard odor filter (replacement)
Z5135X3	Standard recirculation kit
Z51ITD1X1	Long Life recirculation kit external
Z51ITP0X0	Long Life odor filter (replacement)
Z51IXB1X6	Clean Air Plus odor filter (replacement)
Z51IXC1X6	Clean Air Plus recirc. kit external

Typology:	Built-in/Built-under
Length electrical supply cord:	150.0 cm
Required niche size for installation (HxWxD):	345mm x 836.0mm x 264mm mm
Minimum distance above an electric cooktop:	600 mm
Minimum distance above a gas cooktop:	650 mm
Net weight:	9.1 kg
Type of control:	Electronic
Number of power settings:	3-stages + intensive setting
Maximum output air extraction:	595 m ³ /h
Boost position output recirculating:	780 m ³ /h
Maximum output recirculating air:	570 m ³ /h
Boost position air extraction:	820 m ³ /h
Number of lights:	2
Noise level:	61 dB(A) re 1pW
Diameter of air outlet:	120 / 150 mm
Grease filter material:	Washable aluminium
EAN code:	4242004282679
Connection Rating:	172 W
Fuse protection:	3 A
Voltage:	220-240 V
Frequency:	60; 50 Hz
Plug type:	AU plug
Installation typology:	Built-in



N 90, INTEGRATED RANGEHOOD, 86 CM, BLACK D86NPC1S0A

Design:

- For installation in a kitchen cabinet
- Flush-fitted installation for a seamless integration in wall cupboards.
- Suitable for ducted extraction and recirculation
- For recirculated extraction various recirculation kits are available as optional accessories.

Features:

- 2 x 1 Watt LED lights with color temperature selectable from 2 fixed values
- Softlight: the lighting elements switch on and off smoothly.
- Dimming function: the brightness of the lighting elements can be adjusted.
- Colour Temperature: 4000 K
- Light Intensity: 250 lux
- EfficientDrive: Efficient BLDC technology
- 2 metal grease filter(s).

Comfort Features:

- Electronic controls with low-lift push buttons
- Saturation indicator for grease filters
- Automatic after running (10 minutes)
- Interval operation: the hood switches on and off in the selected setting for the selected time.
- 3 power levels plus intensive setting
- Automatic reset from intensive to normal setting after 6 min

Cleaning Comfort:

- Metal grease filter dishwasher-safe
- Easy to clean smooth surfaces and materials.

Performance Exhaust:

- According to EN 61591 and EN/ IEC 60704-2-13 your appliance can achieve the following values in exhaust mode: Speed 1: extraction rate 270 m³/h; noise level 42 dB (A) re1pW Speed 2: extraction rate 395 m³/h; noise level 51 dB (A) re1pW Speed 3: extraction rate 595 m³/h; noise level 61 dB (A) re1pW Intensive 1: extraction rate 820 m³/h; noise level 68 dB (A) re1pW

Performance Recirculation:

- According to EN 61591 and EN/ IEC 60704-2-13 your appliance can achieve the following values in recirculation mode with standard recirculation kit (available as optional accessory):
- Speed 1: extraction rate 190 m³/h; noise level 56 dB(A) re1pW
- Speed 2: extraction rate 230 m³/h; noise level 63 dB(A) re1pW
- Speed 3: extraction rate 360 m³/h ; noise level 70 dB(A) re1pW
- Intensive Speed 1: extraction rate 460 m³/h; noise level 75 dB (A) re1pW

Technical Information:

- Power rating: 172 W
- Voltage: 220 - 240 V
- Environmentally friendly packaging

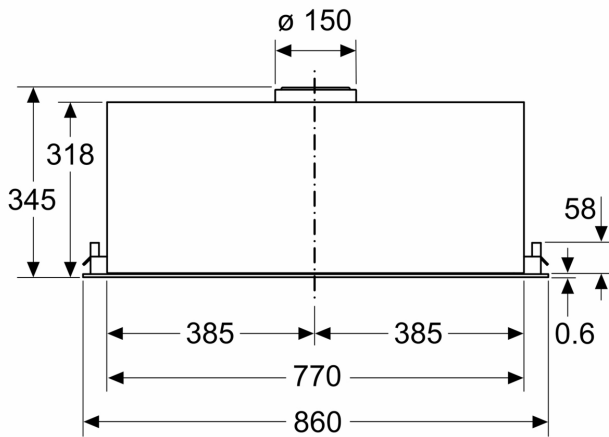
Planning and Installation Information:

- Appliance dimensions (HxWxD): 345 x 860 x 282 mm

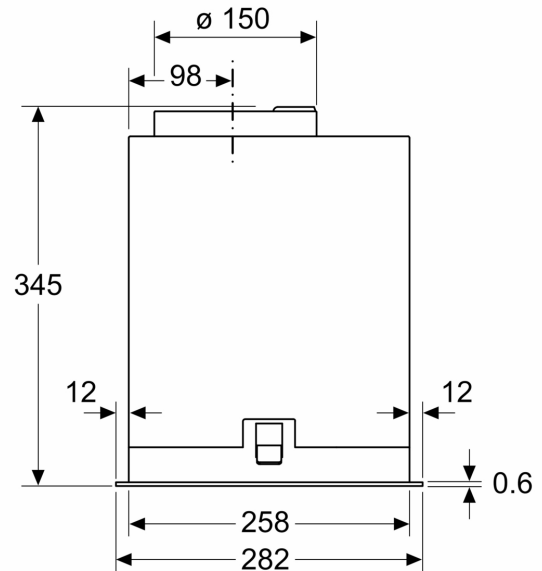
- Dimensions recirculating (HxWxD): 345-345 x 860 x 282 mm
- Installation dimensions (HxWxD): 345 x 836 x 264 mm
- Please reference the built-in dimensions provided in the installation drawings
- Electrical cable length 1.5 m
- Diameter pipe Ø 150 mm (Ø 120 mm enclosed)
- with one-way flap: prevents outside air from entering your kitchen

N 90, INTEGRATED RANGEHOOD, 86 CM, BLACK
D86NPC1S0A

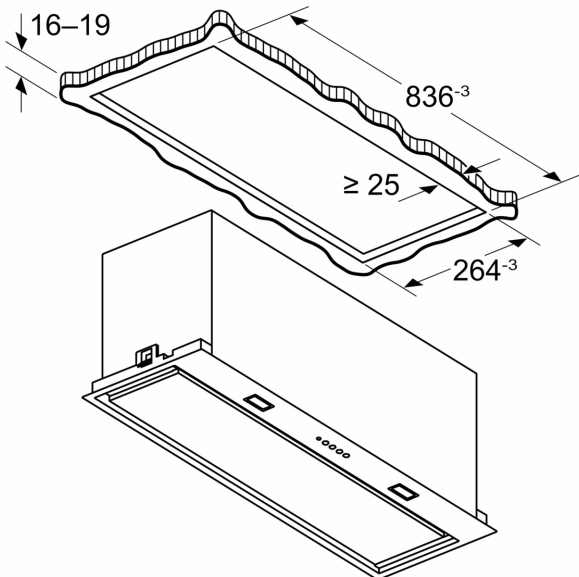
Measurements in mm



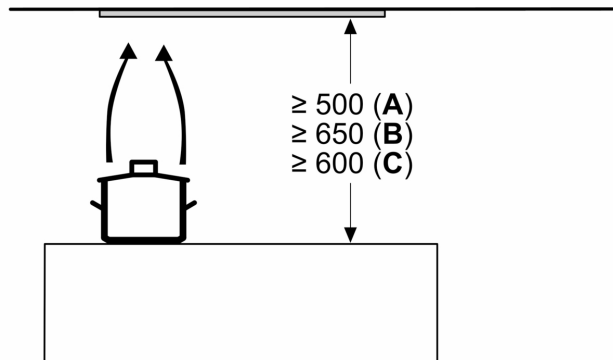
Measurements in mm



Measurements in mm



Measurements in mm



A: Electric

B: Gas - from upper edge of pan support

C: Electric - for Australia and New Zealand