

# 45cm Compact Freestanding Dishwasher

## Stainless Steel

### AESTHETICS

- Stainless Steel Finish
- Button Controls with LED Display

### FUNCTIONALITY

- Capacity: 10 Place Settings
- 6 × Wash Programs
- Auto Door Open
- Lift-Up Height Adjustable Upper Basket
- Third-layer Cutlery Drawer
- Stainless Steel Tub & Base
- 1–24hr Delay Start
- 75° C Max Water Temperature
- Triple stage Filtration
- Anti Bacterial & Extra Clean functions
- Half Load & Extra Dry Functions

### FUNCTIONS

- ECO
- Intensive
- Heavy
- 90 min
- Glass
- Rapid

### SAFETY

- Child Lock
- AquaStop Overflow Protection

### SIZE, W/D/H (MM)

- |          |                  |
|----------|------------------|
| Packaged | 645 × 645 × 871  |
| Physical | 448 × 600 × 845* |

### WEIGHT (KG)

- |         |             |
|---------|-------------|
| Net: 45 | Gross: 49.5 |
|---------|-------------|

### MAX NOISE LEVEL

49 dB(A) re 1 pW

### CONSUMPTION

- |                      |                  |
|----------------------|------------------|
| Energy Rating (MEPS) | 3.5 Stars        |
| Energy Consumption   | 276 kWh per year |
| Water Rating (WELS)  | 4.5 Stars        |
| Water Consumption    | 12.48L per wash  |

### INSTALLATION

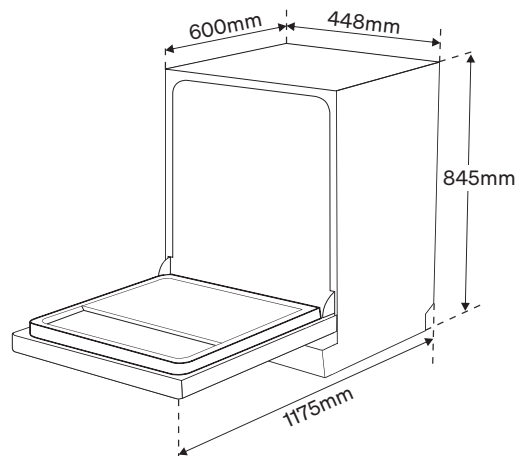
- |                          |              |
|--------------------------|--------------|
| Freestanding or Built-in |              |
| Water Connection         | Cold Water   |
| Length of Hose           | 1.8m         |
| Inlet / Drain            | 1.5m / 1.6m  |
| Water Pressure:          | 0.04–1.00MPa |

### POWER REQUIREMENTS

- |                 |          |
|-----------------|----------|
| Supplied Plug   | 10 amp   |
| Rated Voltage   | 220–240V |
| Rated Frequency | 50Hz     |

### ADDITIONAL DETAILS

- |          |               |
|----------|---------------|
| Barcode  | 9349260096387 |
| Warranty | 3 Years       |



\* Height can be reduced to 815mm for built-in installation. See the user manual for detailed ventilation and installation details.