



## HydroTap G5 BAHA Celsius Plus All-In-One Brushed Bronze

**Boiling** Ambient



**Finish:** Brushed Bronze

**Product code:** H5M785Z15AU

**Capacity:** Residential

Zip HydroTap Design Range CELSIUS PLUS All-In-One Boiling & Ambient Filtered water, plus Hot and Cold washing up water from a single tap (hot and cold water supply required). The intuitive touch-pad with antimicrobial protection operates the filtered drinking water, while the lever dispenses unfiltered hot and cold water. The system features a single under bench command centre including full colour interactive touch screen display with pin code protection and customisable settings including boiling water safety mode, 3 energy saving modes including ON/OFF timers and 2 hour sleep mode, 'Quiet' mode with automated intelligent fan speed adjustment, antimicrobial protection impregnated into key water paths for enhanced hygiene, 100% water efficient air cooled technology and 0.2 micron water filtration. This product is available from selected specialist retailers.

# Specifications

Product name	HydroTap G5 BAHA Celsius Plus All-In-One Brushed Bronze
Product code	H5M785Z15AU
Filtered water type	BAHA
Product approvals	WaterMark, RCM, ARC
Warranty	3-years comprehensive parts and labour or 5-years with a Zip Certified Installation

# Plumbing

Water supply requirements	Cold
Water connection	1/2" BSP (G1/2)
Water valves	Integrated 500kPa Pressure limiting valve and Dual Check Valve
Water pressure	Min 250kPa - Max 700kPa

# Electrical

Power rating	1.35kW 220-240V 50Hz
Power supply	1 × 10 Amp socket outlet

# Tap design

Tap	Zip HydroTap Design Range CELSIUS PLUS All-In-One Tap (Brushed Bronze)
HydroTap style	Celsius Plus All-In-One
Finish	Brushed Bronze
Disability options	Unavailable

# Command centre

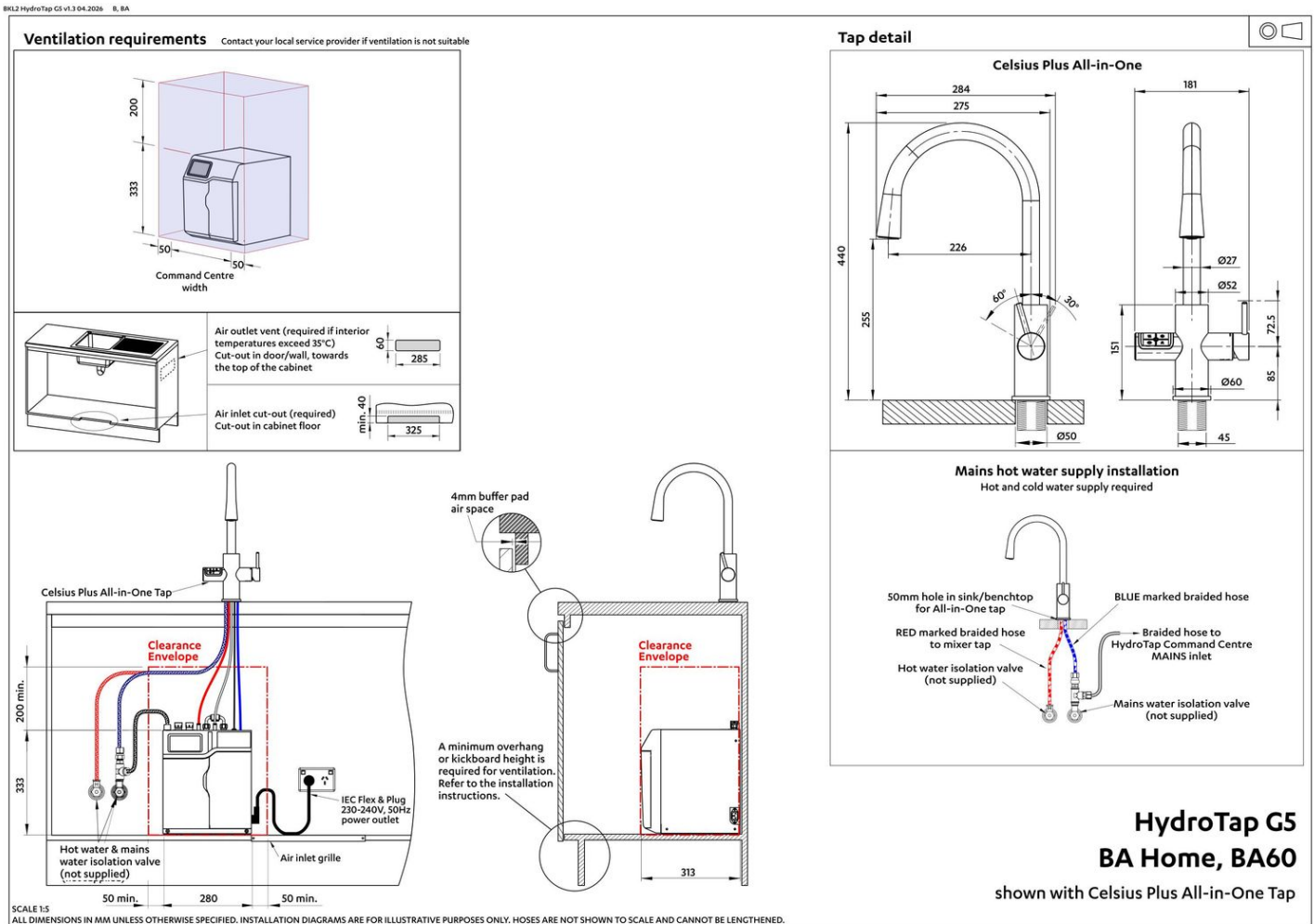
Dimensions	W280mm x D313mm x H333mm
------------	--------------------------

# Installation

## Installation requirements

1. Installation and connection of your Zip HydroTap must be carried out by a Zip Certified service technician, observing national and local regulations.
2. You will require suitable mains electrical and drinking water connections, plus waste water drainage all within 1 metre of the product.
3. Zip HydroTap is air-cooled so discrete cabinetry cut-outs are required for ventilation.
4. Installation on most bench tops is straightforward however some stone bench tops may require a specialised cutting service.
5. Installation by Zip Professional Service can be arranged with a phone call or through [www.zipwater.com/book-service-visit](http://www.zipwater.com/book-service-visit)

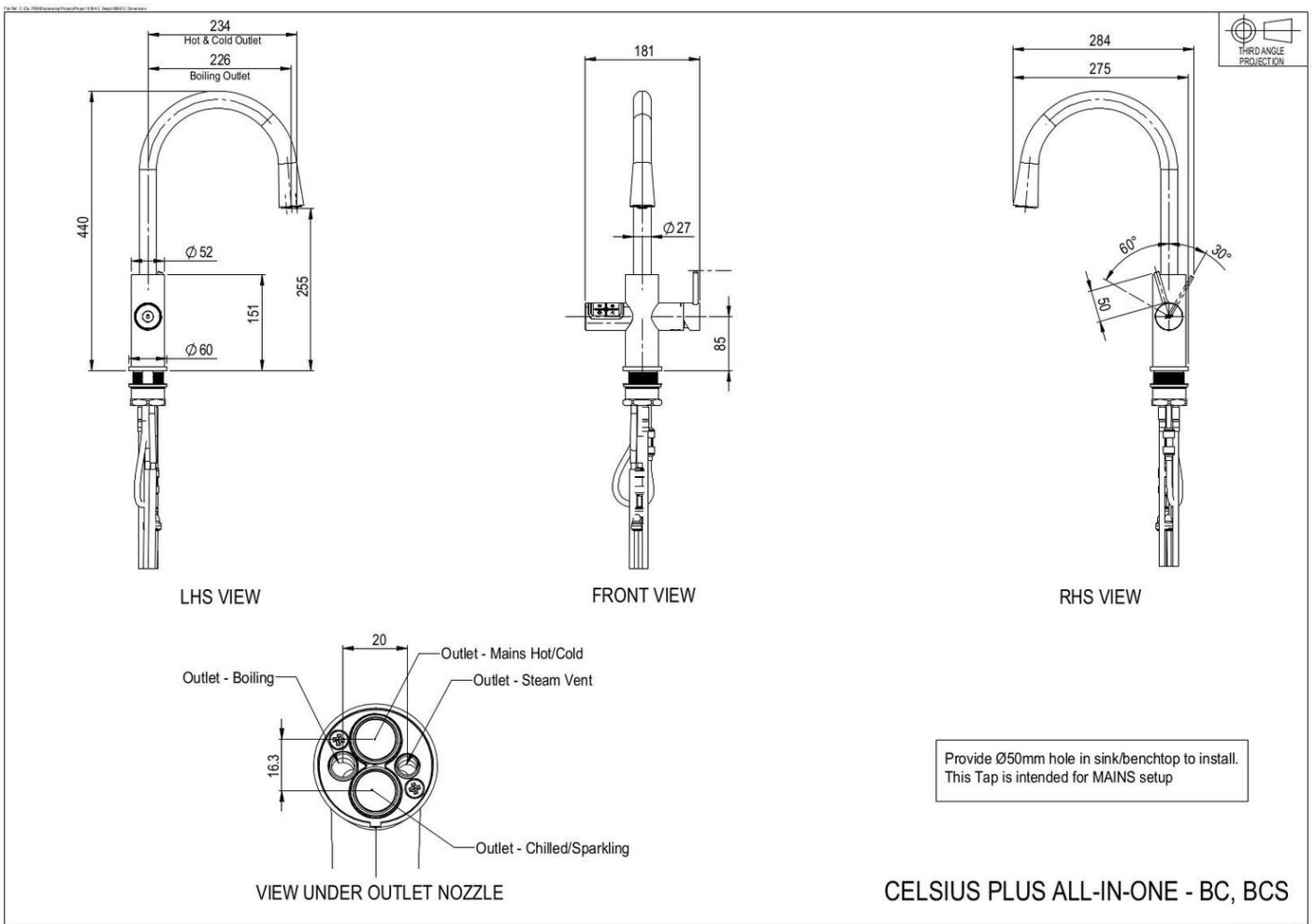
## Files



**HydroTap G5**  
**BA Home, BA60**  
shown with Celsius Plus All-in-One Tap

Installation Layout (PDF)

Tap Detail (DWG)



809613, 809612

Tap Detail (PDF)

## BIM files

LCF

ArchicAD Swift  
Globals Library  
(LCF)

LCF

ArchicAD Zip Water  
Library (IFC)

RVT

Revit Virtual  
Showroom (RVT)

Download all

# Certifications



OHS  
ISO 45001



Environment  
ISO 14001



Quality  
ISO 9001



Health & Safety  
(PDF)



Environment ISO  
(PDF)



Quality ISO (PDF)



Environmental  
Product Declaration  
Brochure (PDF)



Filter performance  
(PDF)



HydroTap Clean  
SDS (PDF)

# Manuals & brochures



Brochure (PDF)



Quick guide (PDF)



Tap operation label  
(PDF)



User manual (PDF)

Download all