

**Series 2, Wall-mounted canopy
rangehood, 90 cm, Stainless steel
DWP96BC50A**



Optional accessories

DHZ5275 : Standard recirculation kit

**Canopy hood: perfect performance
matching your kitchen.**

- **LED lighting:** for perfect, energy-efficient illumination of the cooktop.
- With exhaust, the air is cleaned by a grease filter and then ducted to the outside which ensures optimal kitchen air quality.
- Dishwasher-safe metal grease filters for easy cleaning.
- 3-Speed Power Level Options To Suit Your Cooking Style And Recipes

Technical Data

Typology : Wall-mounted
Length electrical supply cord : 130 cm
Height of the chimney : 553-730/573-730 mm
Height of product, without chimney : 246 mm
Minimum distance above an electric cooktop : 550 mm
Minimum distance above a gas cooktop : 650 mm
Net weight : 10.1 kg
Type of control : mechanical
Number of power settings : 3
Maximum output air extraction : 626 m³/h
Maximum output recirculating air : 409 m³/h
Number of lights : 2
Noise level : 69 dB(A) re 1 pW
Diameter of air outlet : 120 / 150 mm
Grease filter material : Washable aluminium
EAN code : 4242005100651
Connection Rating : 220 W
Fuse protection : 10 A
Voltage : 220-240 V
Frequency : 50; 60 Hz
Plug type : AU plug
Installation type : Wall-mounted



Series 2, Wall-mounted canopy rangehood, 90 cm, Stainless steel DWP96BC50A

**Canopy hood: perfect performance matching
your kitchen.**

Design & Innovation

- Pyramid design
- Appliance colour: Stainless steel

Power and Mode of Operation

- Accessory required for recirculation mode: Standard recirculation kit
- 3 power settings via Push button
- Push button for power and light
- Extraction rate exhaust air according to EN 61591: max. 626 m³/h
- Extraction rate in recirculation mode:
Max. normal use: 409 m³/h
- Ducted and recirculated-air operation
- Twin channel high performance fan motor
- Noise min./max. Normal Level: 51/69 dB
- Noise level in recirculation mode:
Max. normal use: 75 dB(A) re 1 pW (62 dB(A) re 20 µPa sound pressure)
- Energy Efficiency Class: A (at a range of energy efficiency classes from A++ to E)
- Power rating: 220 W

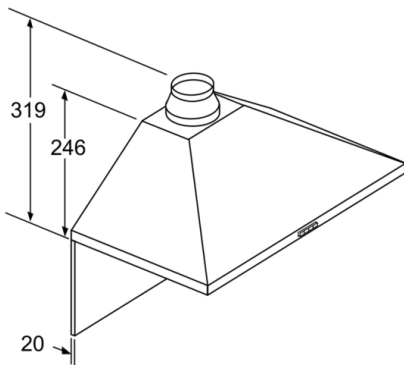
Comfort & Convenience

- Dishwasher safe metal grease filters
- 2 x 1.5W LED
- with one-way flap: prevents outside air from entering your kitchen

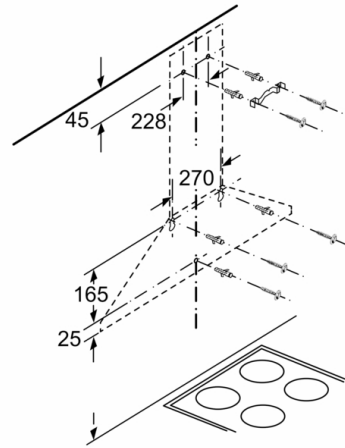
Technical Information

- Appliance width: 900 mm
- Dimensions exhaust air (HxWxD): 799-975 x 900 x 500 mm
- Dimensions recirculating (HxWxD): 799-975 x 900 x 500 mm
- Diameter pipe Ø 150 mm (Ø 120 mm enclosed)
- Electrical cable length 1.3 m

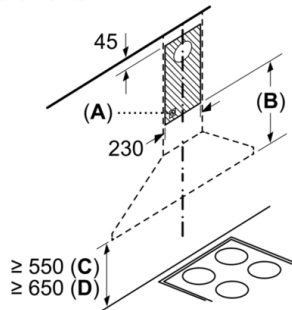
**Series 2, Wall-mounted canopy rangehood,
90 cm, Stainless steel
DWP96BC50A**



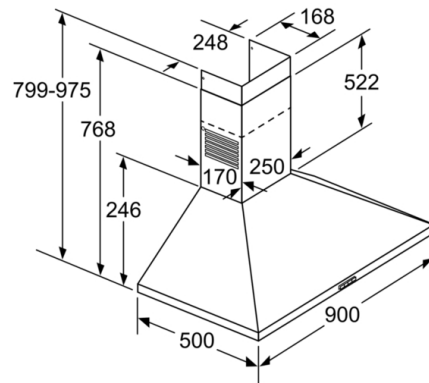
If a back panel is used,
the design of the appliance
must be considered. measurements in mm



measurements in mm



- A:** Socket
- B:** Exhaust air: ≥ 280 ; circulated air: ≥ 490
- C:** electric
- D:** Gas, from upper edge of pan support



measurements in mm