

Product information sheet METRA 45 S

Item no. 528042

Benefits



- Young, straight-lined design
- Separate drain provides a high degree of comfort
- The large capacity of the bowl provides generous room to do the washing up
- Left-hand version

Colours



Available colours:

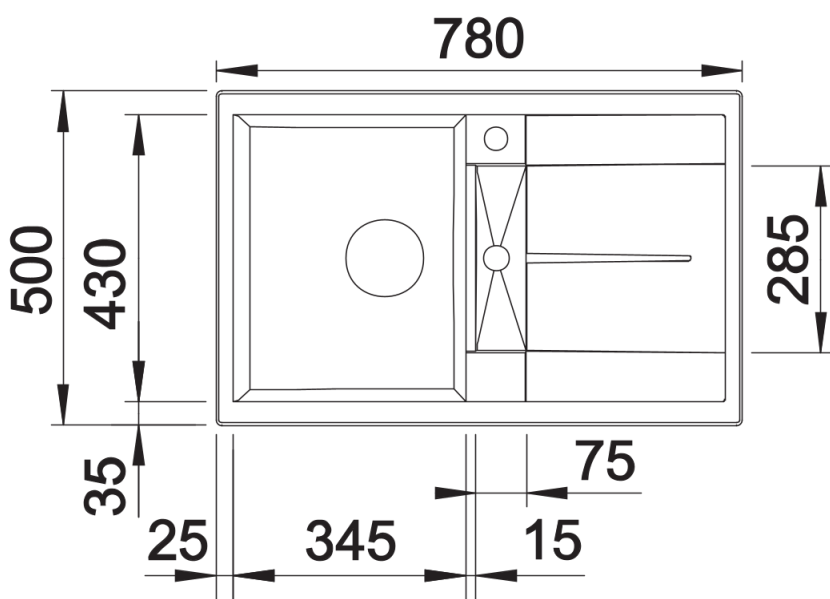
- black
- anthracite
- white

SILGRANIT black

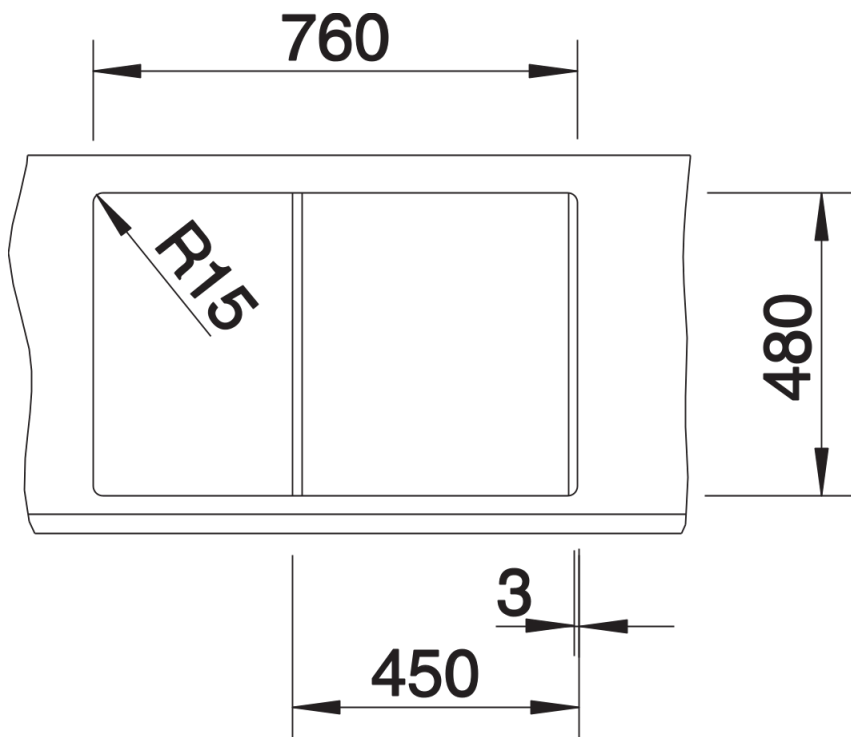
Scope of supply

- waste kit
- 3 ½" basket strainer

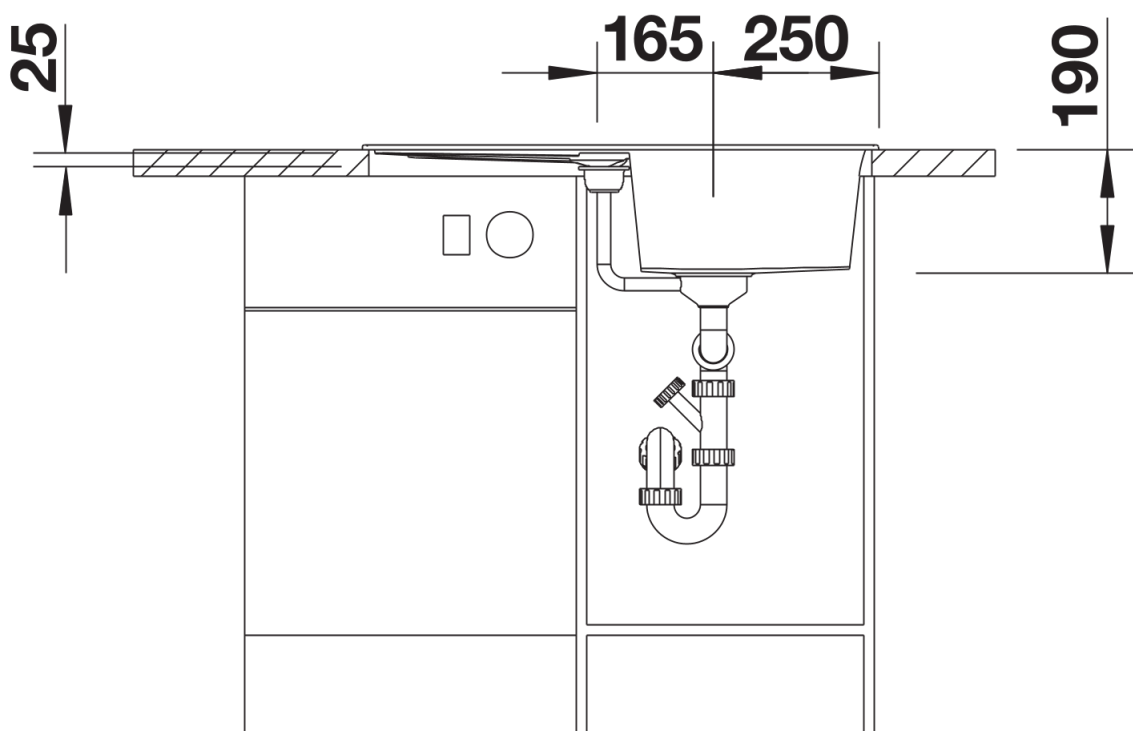
Details



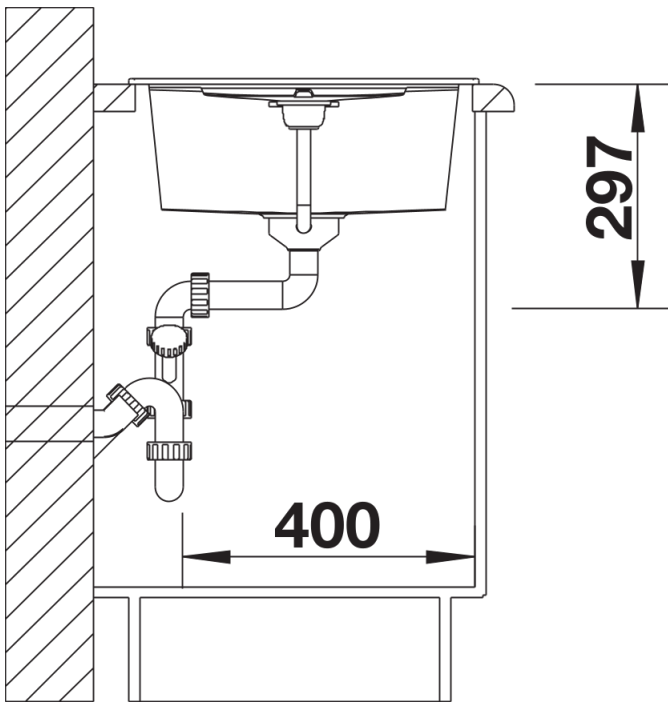
Top view



Cut-out



Front view



Side view