



APPLIANCES FOR LIVING

AIN7600**

**INSTALLATION &
OPERATION MANUAL**

 **ARTUSI**
THE ART OF LIVING

Congratulations, you are now the proud owner of an ARTUSI cooking appliance. Thank you for purchasing ARTUSI and welcome to the ARTUSI Family.

This instruction manual has been specially created to inform you of the full range of features your ARTUSI appliance has to offer and serves as an introduction to getting the very best out of your ARTUSI appliance.

We present detailed information on each of the features your ARTUSI appliance consists of. Once you have read this section you will be able to choose the most appropriate settings for your appliance when cooking different types of food.

We ask you to read the instructions in this booklet very carefully as this will allow you to get the best results from using your appliance. **KEEP THE DOCUMENTATION OF THIS PRODUCT FOR FUTURE REFERENCE.**

**TO REGISTER YOUR PRODUCT WITH ARTUSI, PLEASE FILL OUT THE WARRANTY CARD AT THE END OF THIS BOOKLET AND POST IT TO: REPLY PAID 83617
LEICHHARDT NSW 2040**

Dear Artusi Customer, please read this user manual carefully before using the product and, keep it permanently at your disposal.

Note: This user manual is prepared for more than one model. Some of the features specified in this Manual may not be available on your appliance.

All our appliances are only for domestic use, not for commercial use. Products marked with (*) are optional.

“THIS APPLIANCE SHALL BE INSTALLED IN ACCORDANCE WITH THE REGULATIONS FORCE AND ONLY USED IN A WELL VENTILATED SPACE. READ THE INSTRUCTIONS BEFORE INSTALLING OR USING THIS APPLIANCE”

“Conforms with the WEEE Regulations.”

AIN7600**
INSTALLATION
GUIDE






TABLE OF CONTENTS

Symbols and Their Meanings	4
Installation Place.....	7
Tool list.....	10
ALTERNATIVES FOR INSTALLATION	11
PREPARATION FOR INSTALLATION	12
Cabin Dimensions	12
Location of the Electrical Wiring.....	13
Location of the Water System	14
Production dimension	16
Unpacking	23
Removing Connectors on the rear Wall	25
Removing Mounting Parts in the Freezer Compartment	26
Removing the Freezing Crisper	27
Removing the Freezing Door	28
Removing the Lower Vent Hole Assembly.....	29
Removing the Upper Vent Hole Part	29
PRE-INSTALLATION	30
Mounting the Anti-Tip Brackets	30
Alternative anti-tip method.....	33
Preparing the Water Hose and the Power Plug.....	34
INSTALLATION TO THE CABIN	35
Taking the Refrigerator from the Wooden Pallet.....	35
Placing the refrigerator into the cabin	36
Adjusting the height of the refrigerator in the cabin	39
Adjusting the refrigerator according to the cabin flange	40
Screwing the Cabinet-cabin connecting bracket.....	43
INSTALLING THE CABIN BOTTOM	45
Water connection	45
Attaching the upper vent hole part.....	47
Attaching the lower vent hole assembly	48
Attaching the decorative parts	49

FURNITURE DOOR PREPARATION.....	52
Removing the Mechanism Covers	52
Removing the Panel-Adjustment Mechanisms on the Refrigerator	53
Preparing Furniture Door.....	54
Preparing the Furniture Door	55
Preparing the freezer Furniture Door.....	57
Installing the Fridge Furniture Door	59
Installing the Freezing Furniture Door.....	65
HINGE ADJUSTMENT.....	71
Adjusting the hardness of the hinges	71
CHANGING THE DIRECTION OF THE FF DOOR	72
Removing the fridge furniture door	72
Removing and preparing the Fridge Inner Door.....	76
Replacing the hinges.....	78
Installing the fridge door	82
INSTALLATION DUAL CABIN.....	83
Cabin dimensions.....	83
Location of the electrical wiring	84
Location of the water system	85
mounting part lists.....	86
Attaching the fasteners and connecting bracket	87
Adjusting the height of the refrigerator in the cabin	89
Screwing the bracket furniture on the cabin side wall.....	90
Screwing the bracket furniture on the cabin top wall.....	90
Attaching the decorative parts	91

Symbols and Their Meanings

Symbols used in the installation manual are as follows.

	Important information or useful usage tips
	WARNING: Conditions that may damage the product or its operating functions
	ATTENTION: Conditions containing serious injury risk
	Conditions containing electric shock risk
	Packaging materials of the product have been manufactured from recyclable materials in accordance with our National Environment Regulations.

Disposing the packaging materials

The package has been designed to protect the product during transport.

The packaging materials used for the product do not harm the nature during disposal and they need to be recycled.

All plastic packaging materials, bags etc. must be disposed safely and kept out of the reach of children. Please return the packaging to your dealer.

WARNING:

This installation manual has been prepared to help installation teams. The User Manual provided with the product must also be taken into consideration.

You may get seriously injured and your product may get damaged if you ignore the warnings given in this manual. Please read the following carefully.

WARNING:

R600a Refrigerant

This product contains R600a isobutane refrigerant, which is a very eco-friendly natural gas. However, it is also flammable. Please follow the warnings given below:

- If the product has been transported horizontally, you must wait for 4 hours minimum before plugging it in.
- The following instructions must be followed during installation:
- Dimensions of the installation area must be suitable.
- Dimensions, features and position of the object used to support and fix the product to this area must be suitable.

- Minimum clearances between product parts and surrounding structures must be suitable.
- Minimum dimensions and proper organisation of ventilation holes must be observed.
- The product must be connected to the mains power,
and corresponding connections of other components must be suitable.
- The product must be able to be disconnected from the power supply after installation.
- The socket or fuse must be accessible to de-energise the product.
- Extension cables or ungrounded (two-terminal) adapters must not be used.

ATTENTION:

You must wear gloves and eye protectors when installing the product.

You must also take measures against high noise levels when drilling the floor or using a drill.

ATTENTION:

Make sure that your product is suitable for your local mains.

ATTENTION:

The product must be installed by a qualified technician according to the installation instructions.

WARNING:

The product may tip over since it is quite heavy. For this reason, precautions must be taken against tipping over.

The doors of the product must be kept closed until it reaches the destination and it must be transported in accordance with the installation instructions.

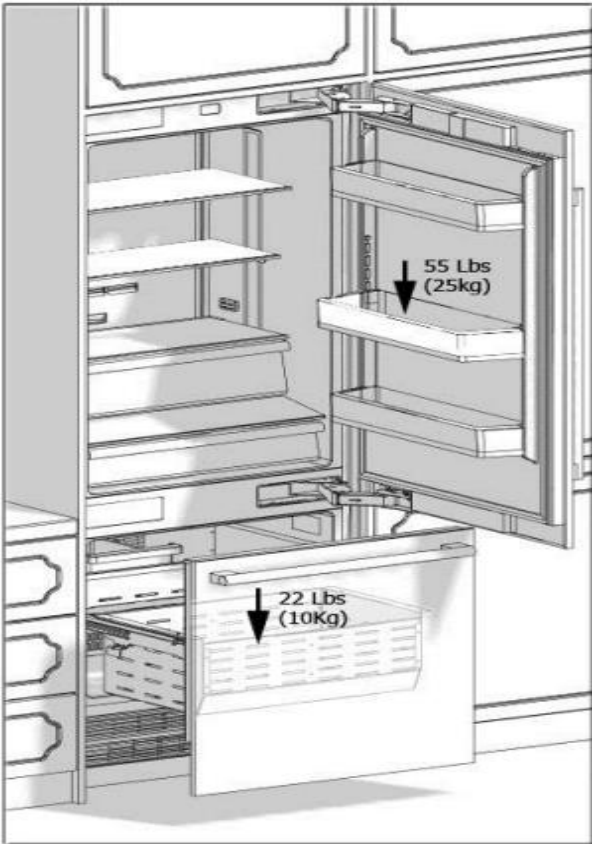
Climate range	Ambient temperature of the room	This appliance has been designed to be used in certain climate ranges (ambient temperatures). It must not be used out of this range.
SN	Between +50°F (10°C) and +90°F (32°C)	
N	Between +60°F (16°C) and +90°F (32°C)	
ST T	Between +60°F (16°C) and +110°F (38°C) Between +60°F (16°C) and +120°F (43°C)	

Product weight:

Category	AINT7600/AINT7600IW	AINT9000/AINT9000IW	
Product weight	361lbs (164kg)	373lbs (169kg)	

Load bearing capacity of the doors

Max load	AINT7600/AINT7600IW	AINT9000/AINT9000IW	
Fridge door	55lbs (25kg)	55lbs (25kg)	
Freezer door	22lbs (10kg)	22lbs (10kg)	



AINT7600/AINT7600IW
AINT9000/AINT9000IW

Installation Place

You must follow the instructions below:

- The floor on which the product will be installed must be capable of bearing 1,200 pounds (544 kg) minimum.
- Kitchen floor and the bottom of the product must be at the same level. Otherwise, problems may occur with the air suction of the product.
- There must be no objects preventing the installation of the product at the back and on the side walls of the product's installation place.
- The power socket must be at the correct place.
- Dimensions of the furniture where the product will be installed must be in strict conformity with the dimensions given in the manual.
- Do not install the product with the fridge and the freezer are adherent next to each other. Otherwise, condensation and damage may occur in the product. (Please see "Dual Cabin Installation" for detailed information)
- Flatness of the floor where the product will be installed must be checked with a Bubble Level Tool.
- Installation area must not be subjected to direct sunlight and it must be away from heat sources, ovens, radiators etc.
- The ambient temperature must be between 55°F (13°C) and 110°F (43°C). Otherwise,
- function errors may arise when the product is running.
- If it is not possible to avoid installing the product near a heat source, the minimum clearances given below must be maintained between the product and the said source:
 - 11/4" (3 cm) from electric hobs or ovens 1 1/4"
 - 12" (30 cm) from gas or fuel operated hobs or ovens

Please observe the following rules:

- The power socket or fuse must be easily accessible in case of an emergency; it must not be hidden behind the product.
- Plug or cable must not touch the back surface of the product. Otherwise, it may get damaged due to the vibration of the product.
- Do not connect the plugs of other appliances behind this product.

If the humidity level is high where the product is used, corrosion may be seen on the outer surface of the product.

Keep the installation room dry and well-cleaned to avoid corrosion.

To avoid the risk of electric shock:

- Connect the plug to a grounded 3-pin socket.
- Do not remove the ground terminal of the plug.
- Do not use adapters.
- Do not use extension cables.

ATTENTION:

Failure to follow these instructions may result in death, fire or electric shock. Connecting the grounding conductor of the equipment to an improper place may lead to electric shock. Please have the grounding checked by a qualified electrician or service technician if you have any doubt about the proper grounding of the product.

Installation, repair and other procedures performed by unqualified persons may cause danger. Before installing the appliance, make sure that the voltage, load and circuit current parameters on the data plate are in compliance with the power mains in your house.

The appliance is provided with a NEMA 5-15 P plug and a 3-pin power cable which is in the UL list and ready to be connected to a 120 V, 60 Hz power supply. Fuse is 15 A. The appliance must be connected to a 3-pin socket. The plug must be installed only by a licensed electrician.

If the electrical wiring or the electric power supply of the house needs alteration, the necessary procedures must be performed by a qualified electrician.

ATTENTION:

Do not install your refrigerator:

- In open areas
- In environments where water is dripping
- In environments where temperature is lower than 55° F (0°C)

Furniture:

Make sure that the furniture where you will install the appliance has been safely mounted in your kitchen. Your furniture must be connected to the floor and the wall properly and with suitable connections.

For the best installation, clearances between the furniture and the product must be in compliance with the values specified in the installation instructions.

Side walls must be free of clearances and their surfaces must be flat.

Minimum thickness of the side walls must be 5/8" (16 mm).

Minimum thickness of the doors to be attached to the product must be 3/4" (19 mm) .

ATTENTION:

There is a stainless steel door and stainless kick plate option. Please consult the authorised service.

Ventilation:

Vent holes where the air enters and exits the unit must not be blocked or obstructed. In addition, you must periodically clean the dust and dirt that accumulate on these holes in time.

Electrical Connection:

- Never use an extension cable.
- The power socket must definitely be grounded and checked by an authorised person.
- Location of the electrical wiring must comply with the dimensions specified in the manual.



ATTENTION:

RISK OF ELECTRIC SHOCK

Electrical grounding is necessary. This appliance is equipped with a three-pin plug to protect you against possible electric shocks.

- Do not remove the round grounding terminal from the plug.
- Do not use two-pin grounding adapters.
- Do not use extension cables to energise the product.



ATTENTION:

Do not connect the grounding cable to the gas pipe. Please have the grounding checked by a qualified electrician if you are not sure about the grounding of the product. Do not install a fuse on the neutral line or grounding circuit.



WARNING:

Please wait for 3-6 hour before energising the product to protect it against possible damages. This way, the refrigerant and the lubricants in the system get balanced.

Water Connection

- Pressure of the mains water must be in compliance with the values specified in the manual.
- Location of the water system must comply with the dimensions specified in the manual.



IMPORTANT INFORMATION:

Bypass is recommended for the water filtering system if a reverse osmosis system is used.

TOOL LIST

Tools to be used when installing the product are as follows:



Cordless
Drill



Safety
Goggles



1/2"
Wrench



Hammer



Ladder



Ø2,4
3/32"
Drill bit



Ø8
5/16"
Drill bit



Box
Cutter



Safety
Gloves



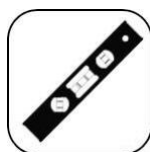
Tape
measure



Star bit



1/4"
Wrench Flat



Bubble
Level
Tool



Wheelbarrow

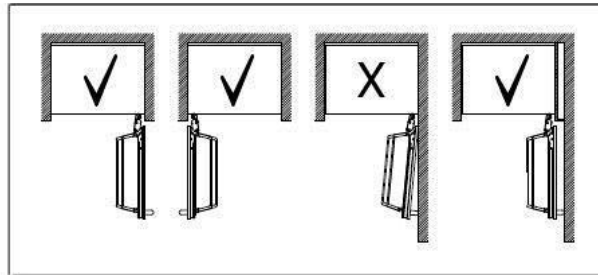


Tape

ALTERNATIVES FOR INSTALLATION

The product can be placed in various ways based on the kitchen design. It must be installed at a place where it is ensured that the door can be opened and closed properly. If the doors cannot be opened 90 degrees at least, you cannot completely open the drawers inside the product.

- Single cabin placement methods



PREPARATION FOR INSTALLATION

The instructions below have been prepared according to Built-in type.

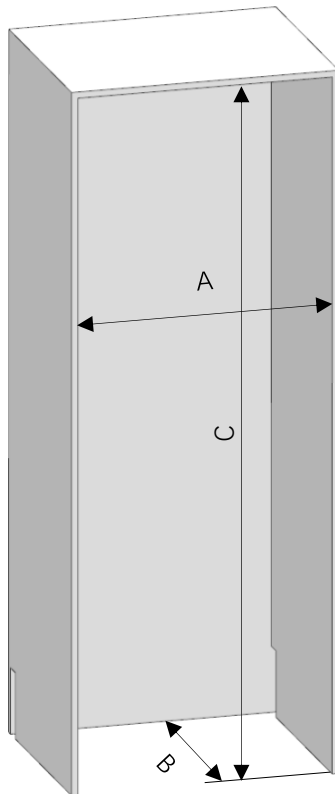
Built-in: The Appliance and Panels fully seat into the gap, and a material that can be their own box is jammed between the two kitchen cabinets or decorative columns.

This is the most common installation scenario.

Cabin Dimensions

- Cabin dimensions below must be checked before starting the installation.

Category		AINT7600/AINT7600IW	AINT9000/AINT9000IW	
A	width	30" (762mm)	36" (914mm)	
B	depth	25" (635mm)	25" (635mm)	
C	height	84" (2134mm)	84" (2134mm)	



Location of the Electrical Wiring

Location of the electrical wiring must be within the range given below.

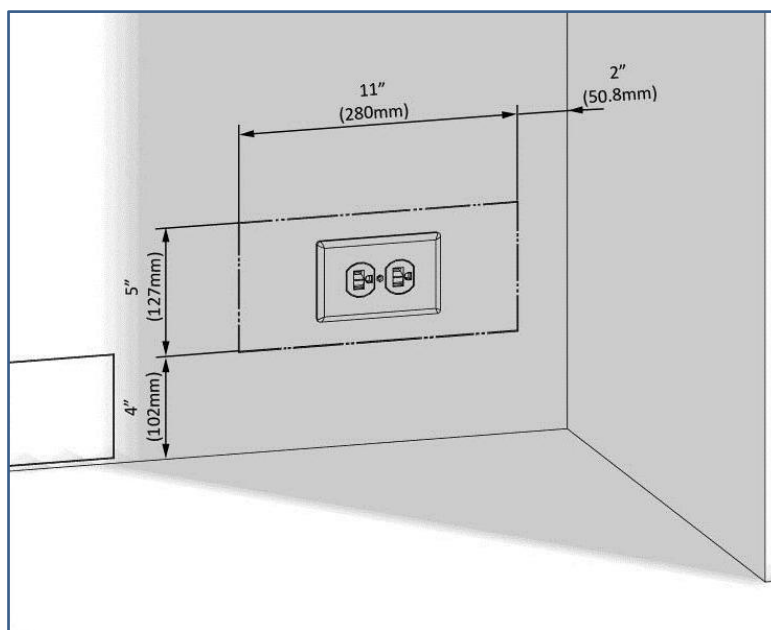
ATTENTION:

Do not use extension cables or two-pin adaptors and do not remove the ground terminal of the grounding cable.

ATTENTION:

A qualified electrician must ensure that the poles of the socket are connected correctly.

Verify that the grounding of the socket is correct.



Location of the Water System

The water connected to the water mains must be potable.

Location of the water system must be within the range given below.

Water system of the refrigerator must be connected to the water mains system in the house.

The user must be able to switch it on/off with the valve when necessary.

Objects that might pierce the water hoses or cause them to twist must not be present where the water line is installed.

Pressure of the water system must be between 25-80 psi (1.7-5.5 Bar).

If the water pressure exceeds 80 psi, install a pressure limiting device or water impact protector to the inlet valve.

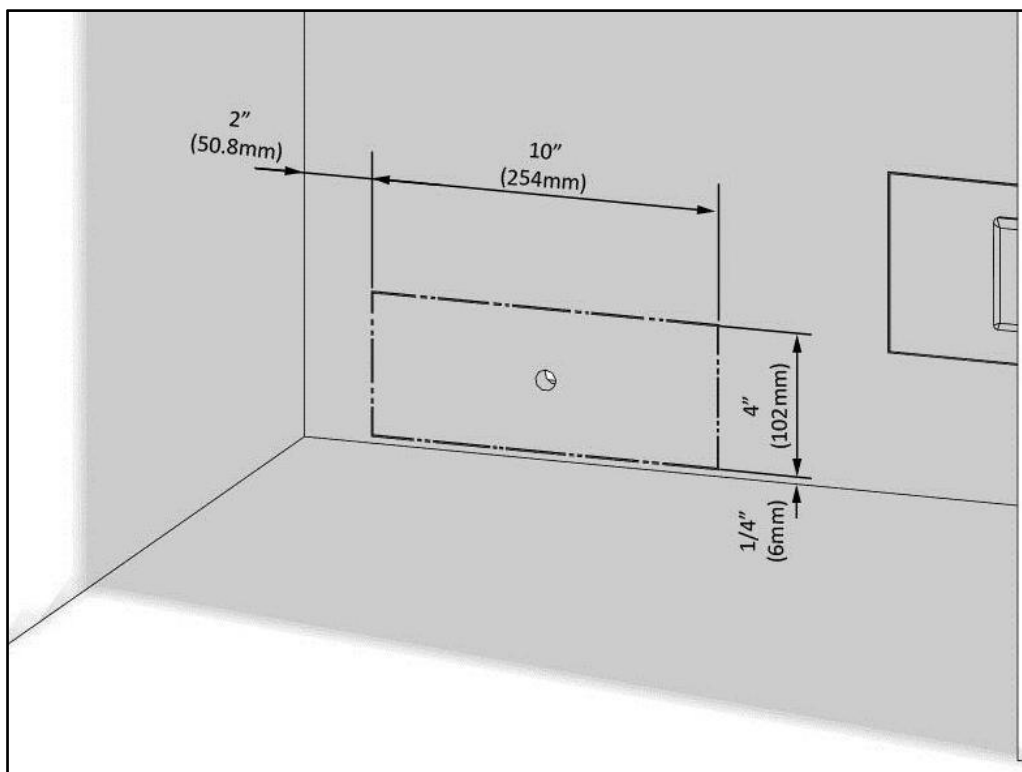
Never install the product or operate the appliance if it is possible for the water pressure to exceed 120 psi.

WARNING:

Make sure that there is no water leakage when making the water connections. Otherwise, there will be water on the floor and the furniture will get damaged.

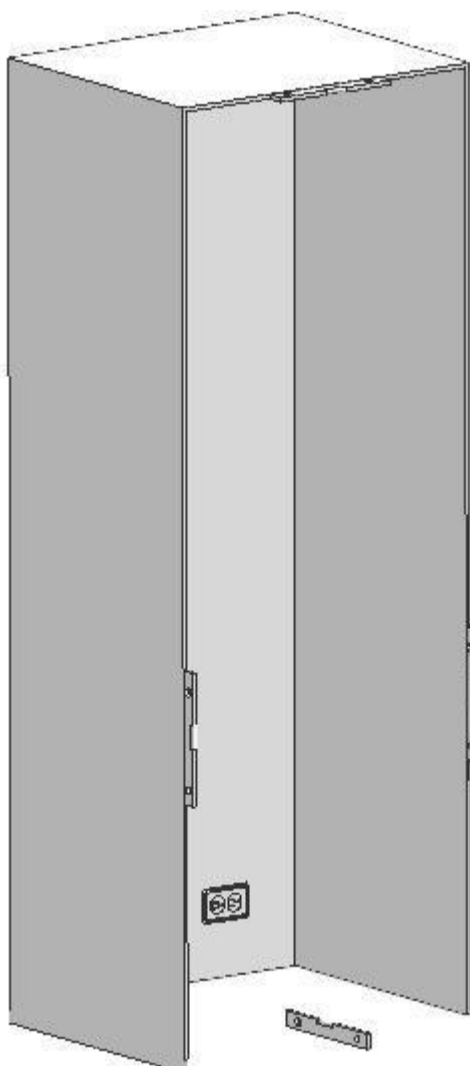
You will need a hose with a minimum length of 60" (1.5 meters) and a diameter of 1/4" for water connections of the product during installation.

A connector that has a thread with an external diameter of 1/4" must be used to connect the hose end to the product. Before completing the installation, make sure that water flows and there is no water leakage.



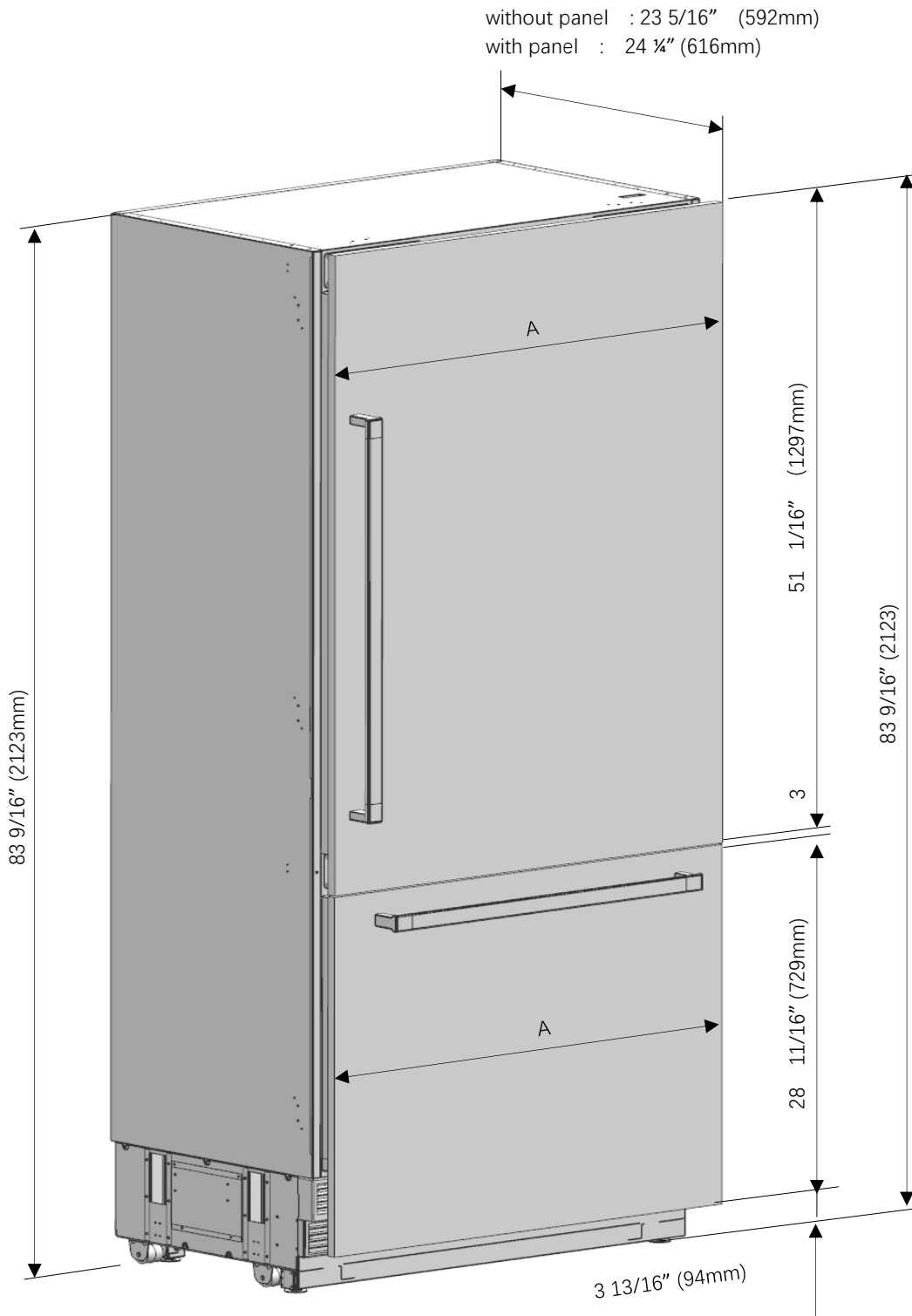
 **WARNING:**

- Flatness of the floor where the product will be installed must be checked with a Bubble Level Tool.
- Uprightness of the furniture flanges must be checked with a Bubble Level Tool.
- If the flatness and uprightness of the product is not proper, problems may arise with the installation.

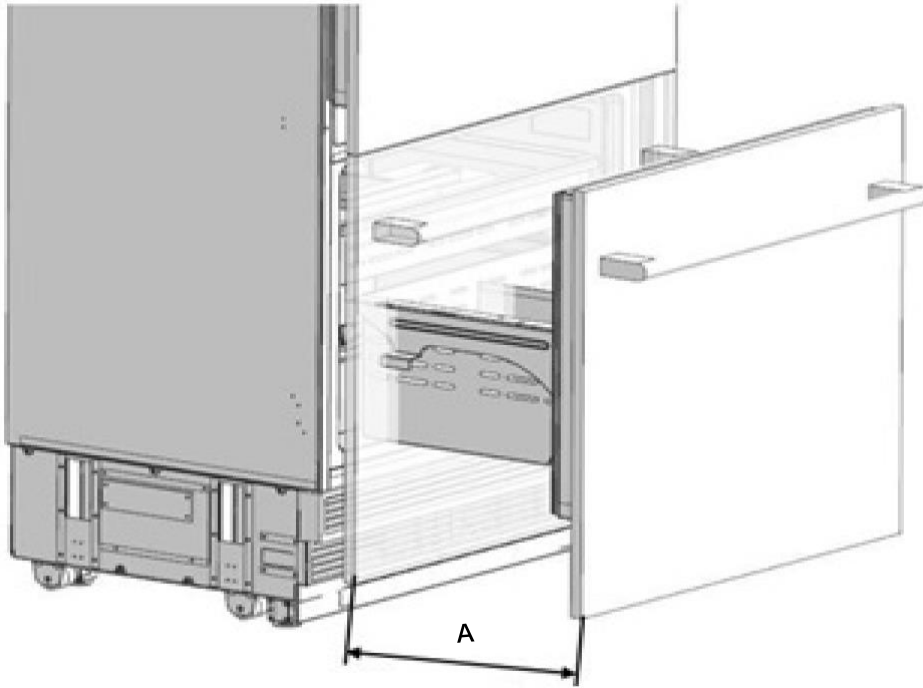


PRODUCT DIMENSION

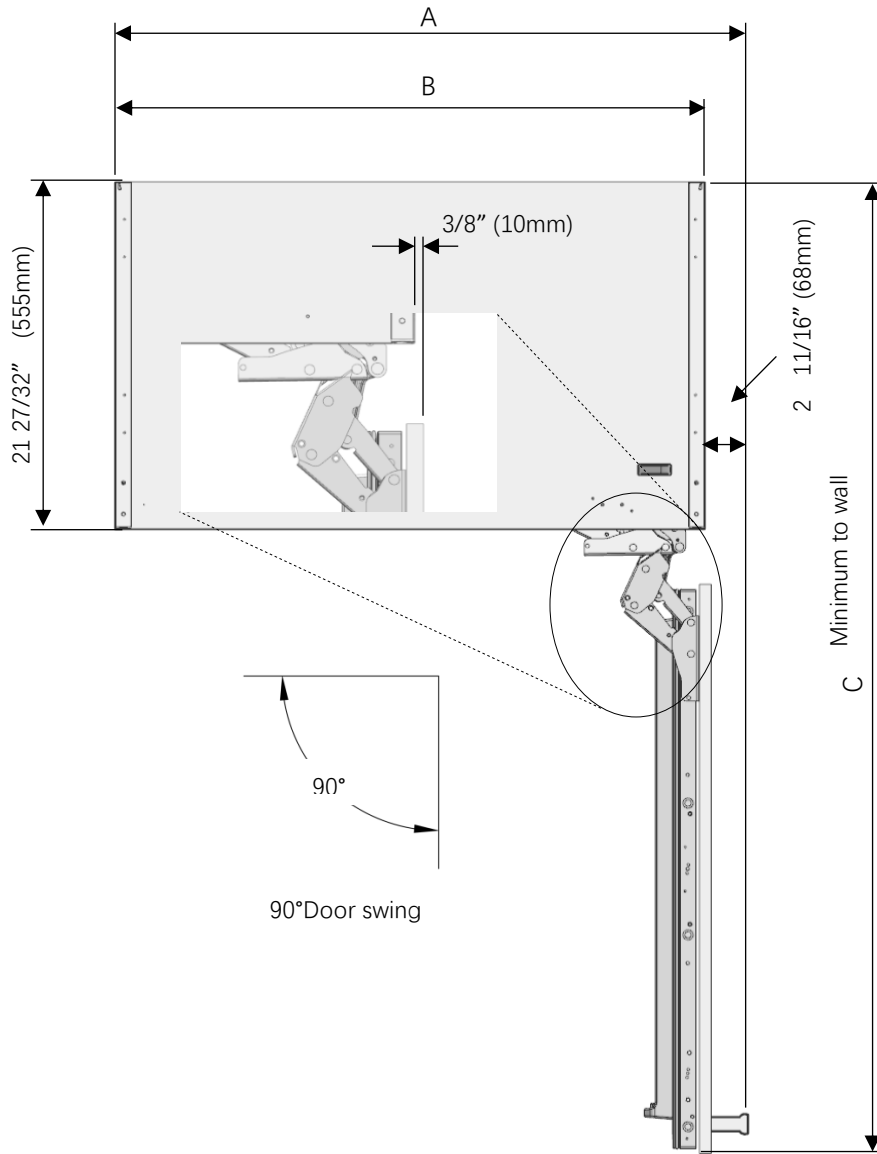
Category	AIN7600/AINT7600IW	AIN9000/AINT9000IW	
A	29 3/4" (756mm)	35 3/4" (908mm)	



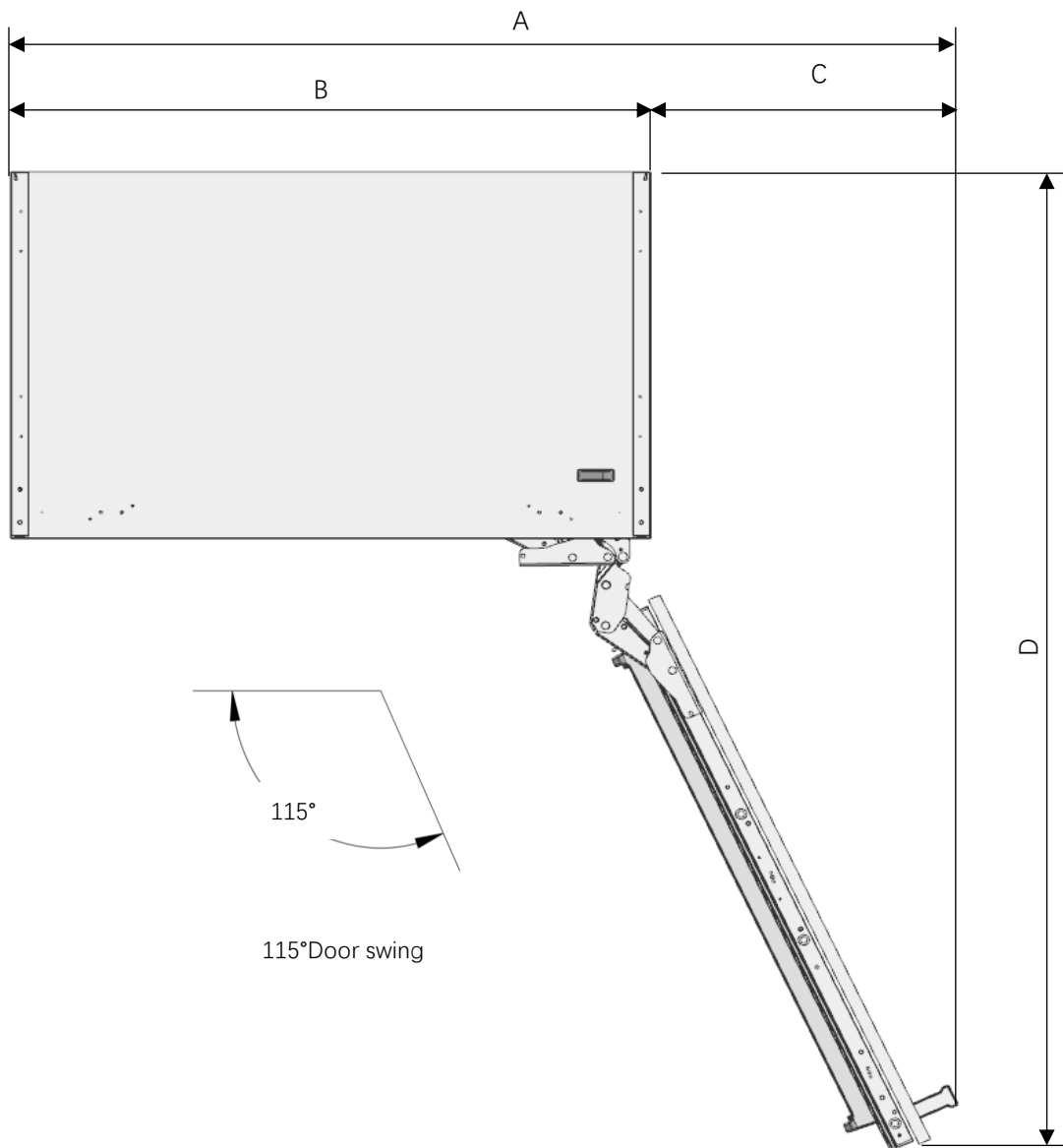
Category	AINT7600/AINT7600IW	AINT9000/AINT9000IW	
A	15 9/32" (388mm)	15 9/32" (388mm)	

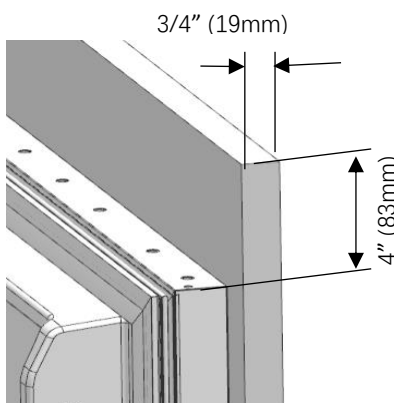
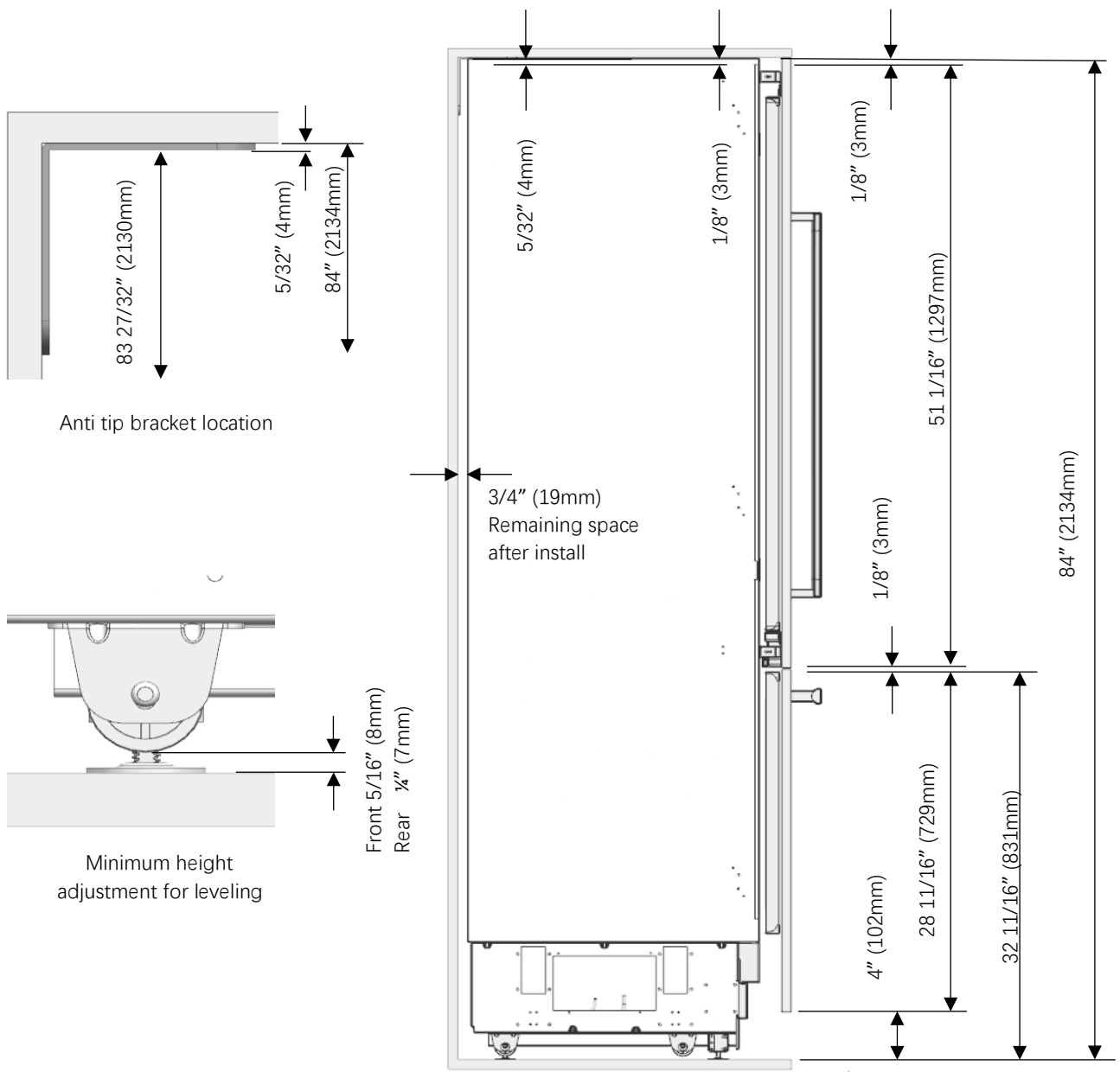


Category	AIN7600/AINT7600IW	AIN9000/AINT9000IW	
A	32 7/16" (824mm)	38 7/16" (976mm)	
B	29 3/4" (756mm)	35 3/4" (908mm)	
C	55 1/32" (1398mm)	61" (1550mm)	

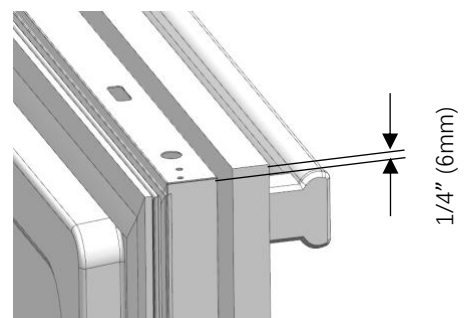


Category	AIN7600/AINT7600IW	AIN9000/AINT9000IW	
A	44 3/8" (1127mm)	54 3/4" (1391mm)	
B	29 3/4" (756mm)	35 3/4" (908mm)	
C	14 5/8" (371mm)	19" (483mm)	
D	52 11/16" (1338mm)	57 11/16" (1466mm)	

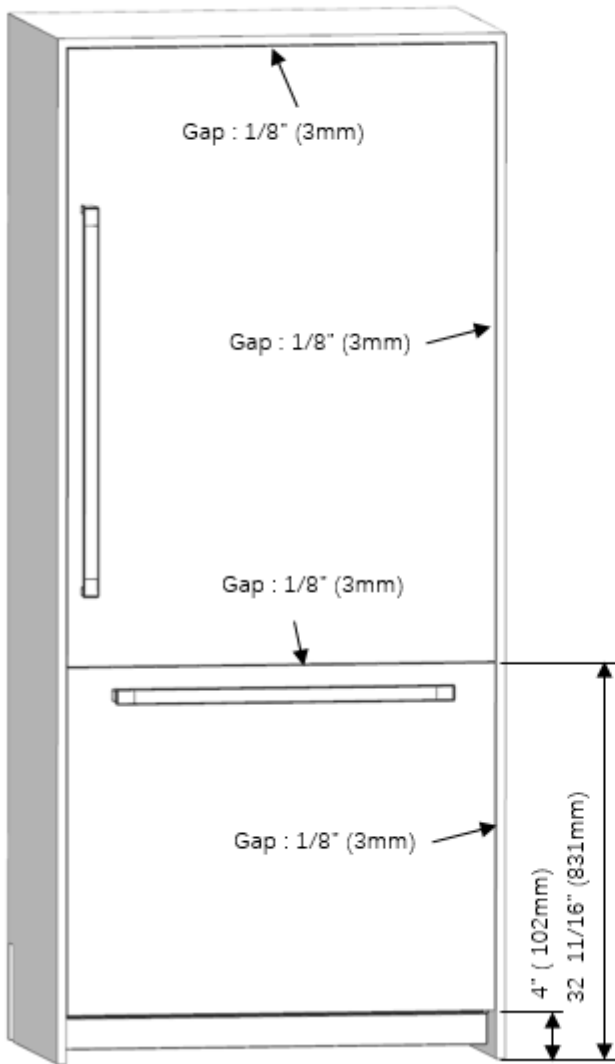




Assembly dimension between
Wood panel and fridge door



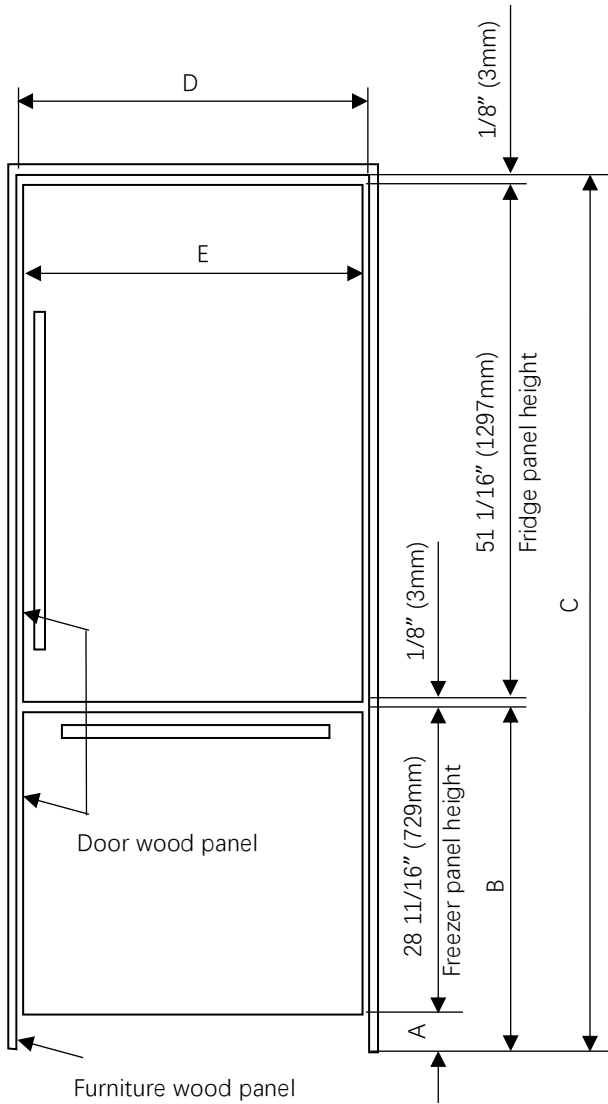
Assembly dimension between
Wood panel and freezer door



AINT7600/AINT7600IW
 AINT9000/AINT9000IW

Height of the kitchen countertop based on the min/max. height of the cabin;

	A	B	C
standard	4" (102mm)	32 11/16" (831mm)	84" (2134mm)
minimum	3 13/16"(97mm)	32 1/2" (826mm)	83 13/16" (2129mm)
maximum	5 3/8" (137mm)	34 1/8" (866mm)	85 3/8" (2169mm)



Category	AINT7600/AINT7600IW	AINT9000/AINT9000IW	
D	30" (762mm)	36" (914mm)	
E	29 3/4" (756mm)	35 3/4" (908mm)	

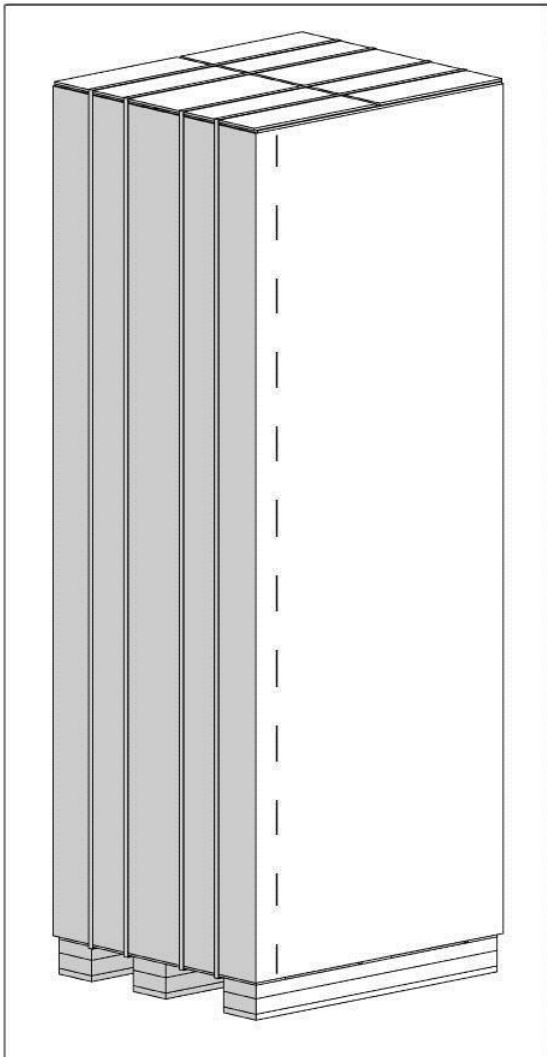
Unpacking

WARNING:

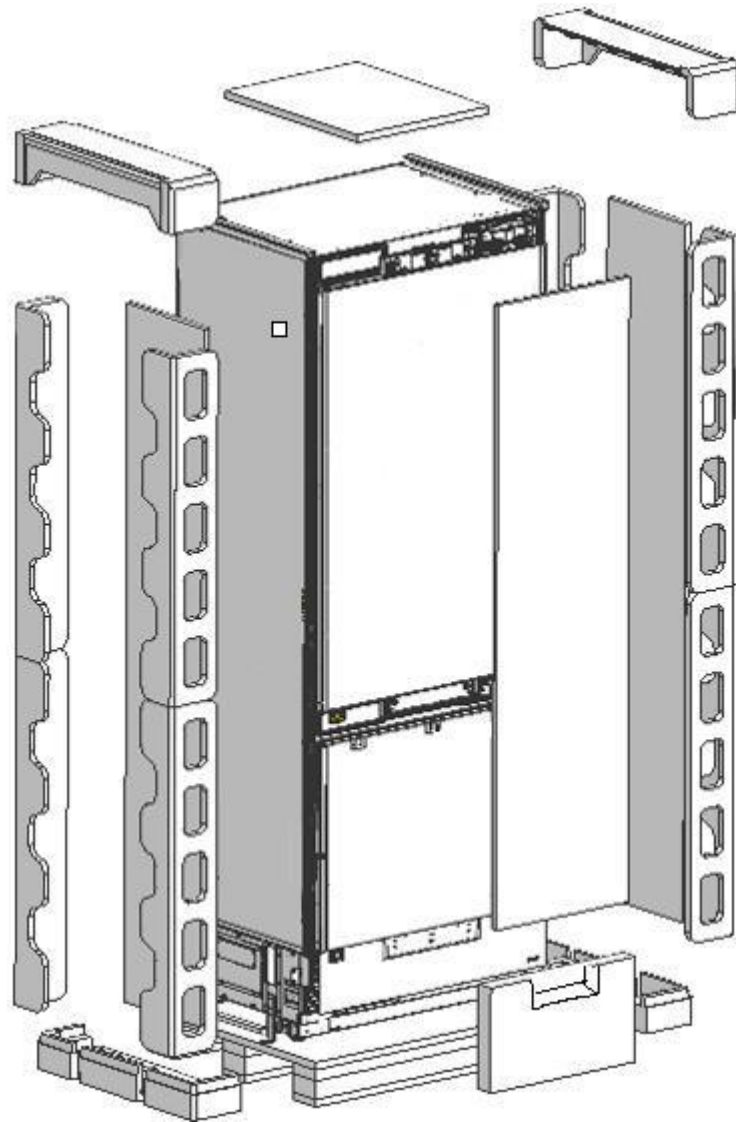
At least two persons must carry the refrigerator.



- Use a box cutter to remove the tapes.
- Cut the Packaging Board with a Box Cutter through the section illustrated in dotted lines and remove it.



- Remove the Packaging Polystyrene material.

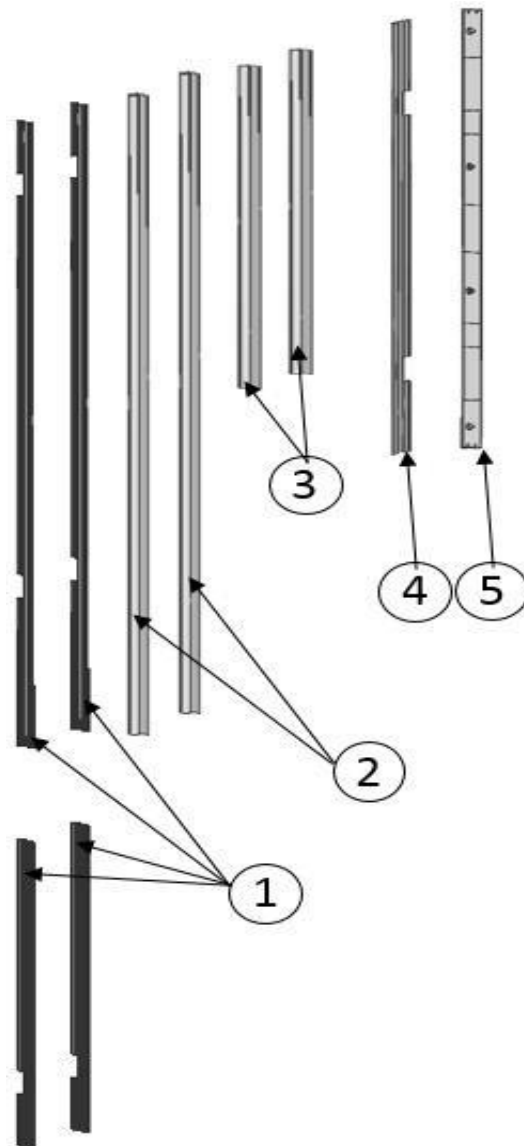


 **ATTENTION:**

Do not remove the tape of the upper door on the product until the refrigerator is placed into the cabin.

Risk of tipping over.

Removing connectors on the rear wall



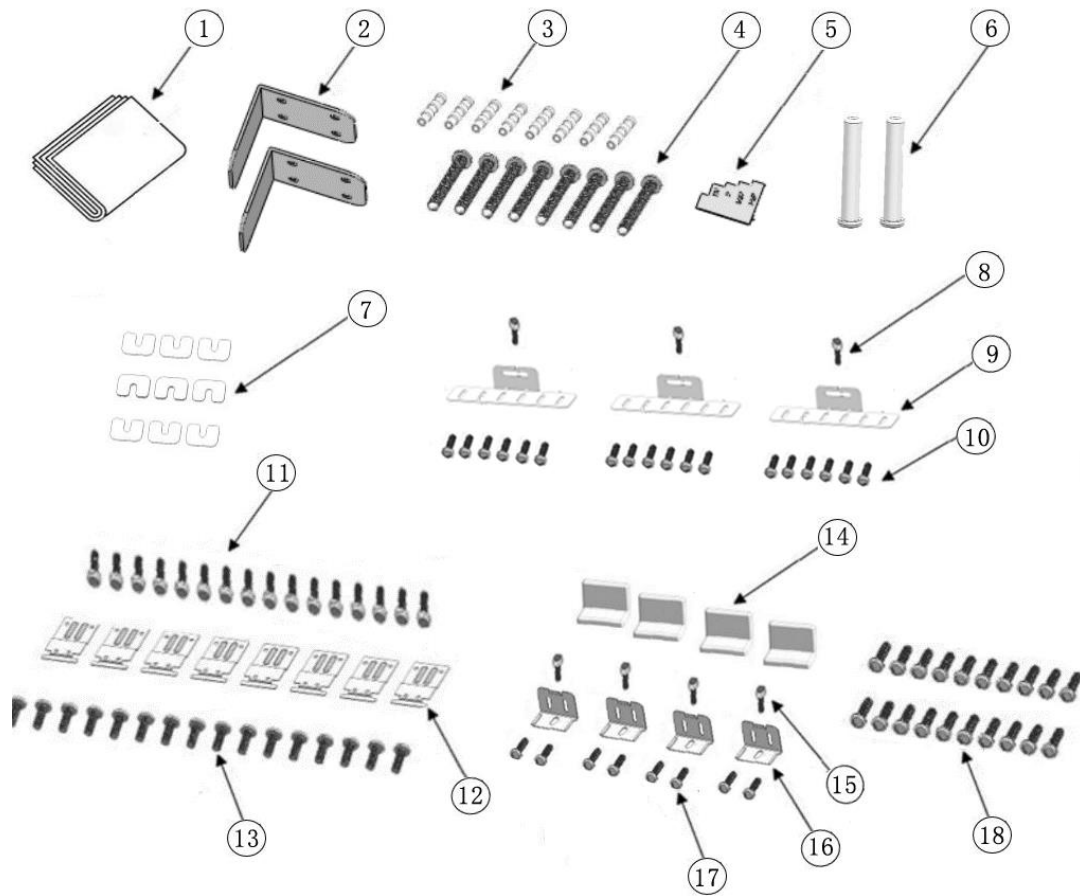
No	Part name	spec	76	90	
1	Trim fridge furniture side	PVC extrusion L=617, L=1,259	4	4	
2	Trim fridge door side	PVC extrusion L=1136	2	2	
3	Trim freezer door side	PVC extrusion L=556	2	2	
4	Trim furniture top	PVC extrusion L=762, L=914	1	1	
5	Cover freezer door top	abs	1	1	

√ Conference

Category	AIN7600/AINT7600IW	AIN9000/AINT9000IW	
Abbreviation.	76	91	

Removing mounting Parts in the Freezer Compartment

- Open the freezer compartment door and remove the mounting boxes and documents in the crisper.

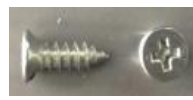


No	Part name	spec	76	91	
1	Furniture door preparation template	paper	1	1	
2	Anti tip bracket	T4.0, Zn-coating	2	2	
3	Dowel	-	8	8	
4	Anti tip bracket screws	M8*L60	8	8	
5	Position adjustment jig	PS	1	1	
6	90° limiting pins	sus	1	1	
7	Freezer furniture door adjustment washer	abs	9	9	
8	Screw freezer door hanger bracket	ST4.8*16, round head screw	3	3	
9	Freezer door hanger bracket	T1.0, Cr+zn-coating	3	3	
10	Screw freezer furniture door hanger bracket	ST4x14, counter sunk head screw	18	18	
11	Screw cabinet connecting bracket	M4*12, truss washer head	16	16	

√ Conference

Category	AIN7600/AINT7600IW	AIN7900/AINT7900IW	
Abbreviation.	76	91	

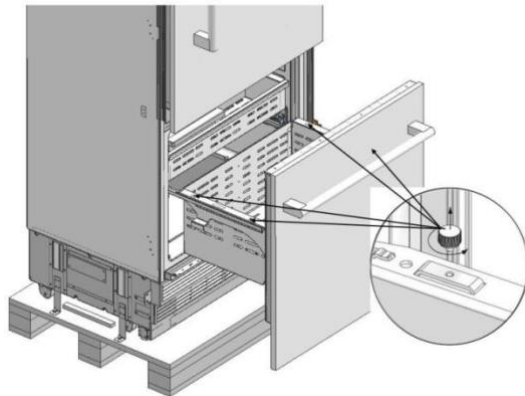
No	Part name	spec	76	91	
12	Cabinet- cabin connecting bracket	T1.0, Zn-coating	8	8	
13	Screw cabin connecting bracket	ST4x14, counter sunk head screw	16	16	
14	Cover furniture door bracket	abs	4	4	
15	Screw door fixing bracket	M4*12, truss washer head	4	4	
16	Door- door furniture connecting bracket	T1.0, Cr+zn-coating	4	4	
17	Screw furniture door fixing bracket	ST4x14, counter sunk head screw	8	8	
18	Screw furniture door hanger bracket	ST4x14, counter sunk head screw	20	20	



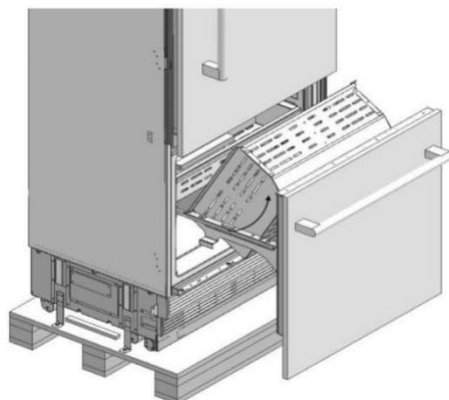
- Anti tip bracket screws
- Truss washer head screw
Spec : M4x12
Fixing Refrigerator
Such as cabinet and door
(press part)
- Counter sunk head screw
Spec : ST4x14
Fixing the cabin and
furniture door
(wood part)
- Round head screw
Spec : ST 4.8x16
Fixing freezer door top part
and furniture door
(press part)

Removing the Freezing Crisper

- Remove it manually with 4 knurled screws.

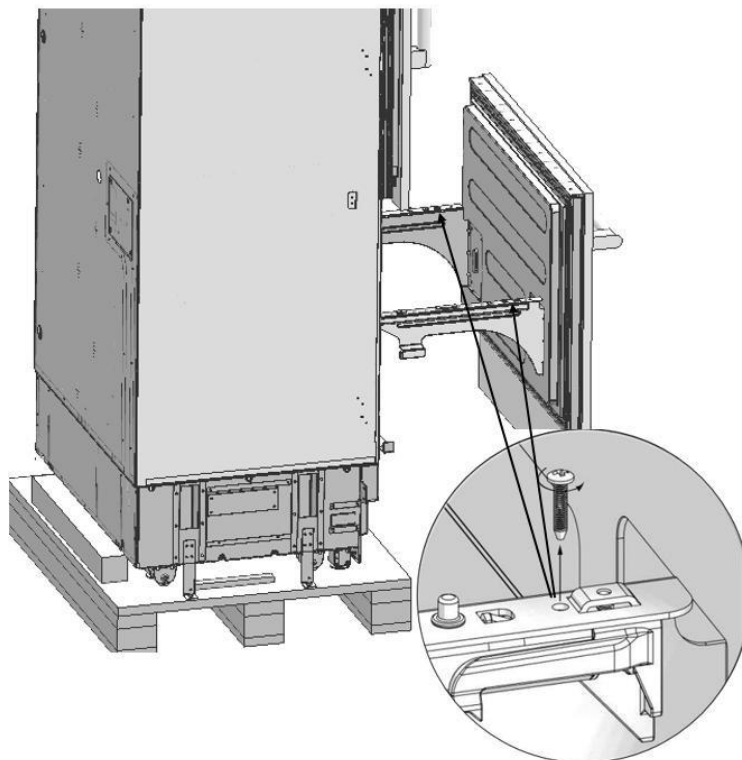


- Remove the Lower Crisper.

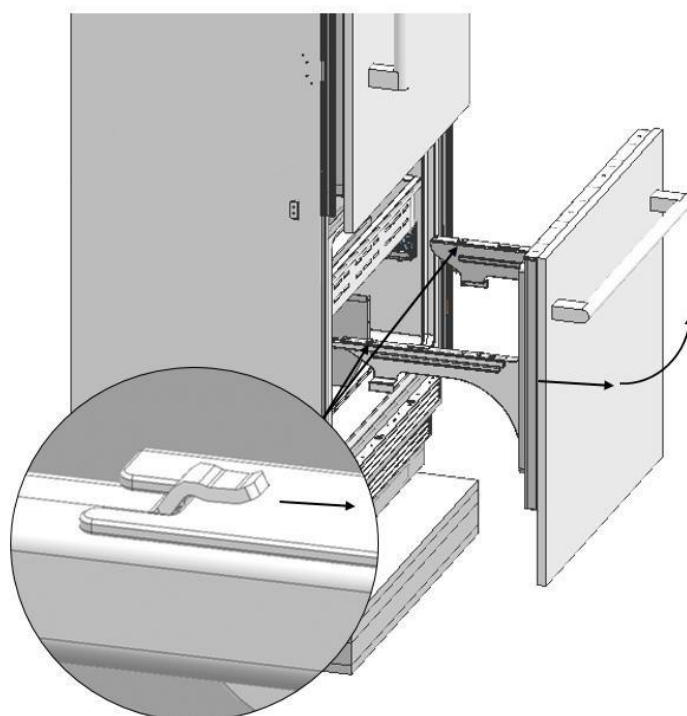


Removing the Freezing Door

Remove 2 screws which are near the front section and connect the freezing door and the rail.

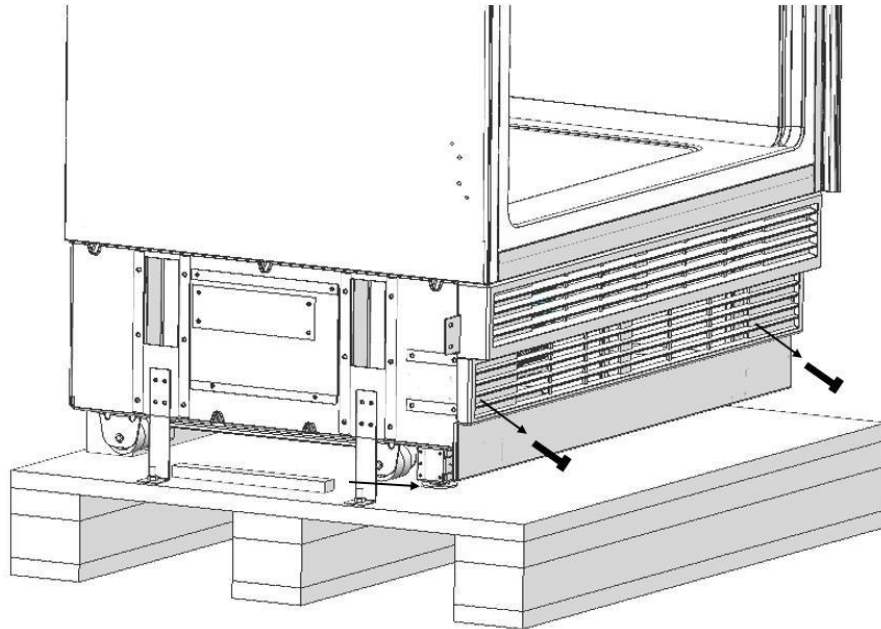


- Pull the door frontward to free it from the tabs at the back and remove it.



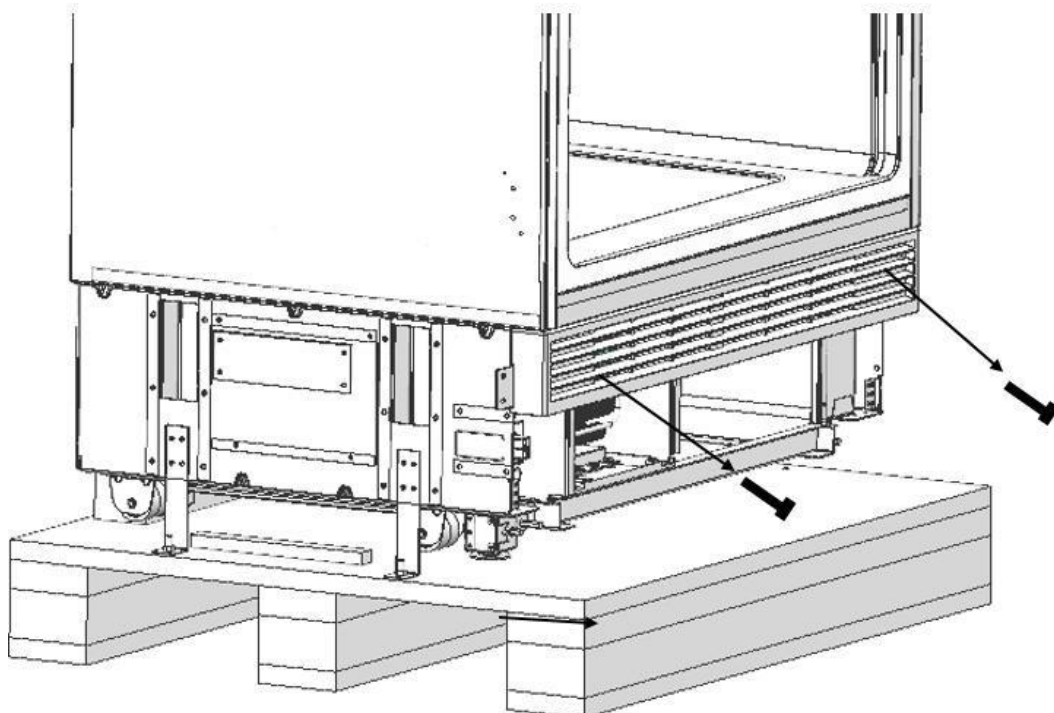
Removing the Lower Vent Hole Assembly

- Remove the 2 screws to take out the Lower Vent Hole Assembly.



Removing the Upper Vent Hole Part

- Remove the 2 screws to take out the Upper Vent Hole Part.



PRE-INSTALLATION

Continue to install the product according to the instructions below. Additionally, consider national and local instructions regarding installation.

Please observe the following:

- For the USA, The National Electrical Code, ANSI/NFPA 70 – last version/State or Municipality directives and/or regional directives.
- For Canada, The Canadian Electrical Code, C22.1 – last version/State or Municipality directives and/or regional directives.

Mounting the Anti-Tip Brackets

WARNING:

You must definitely use Anti-Tip Brackets to prevent the appliance from tipping over.

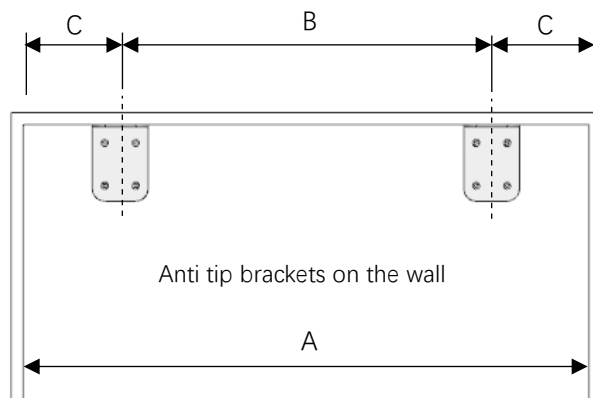
WARNING:

Make sure that there is no electrical or water connection where the screws will be tightened and connections will be established.

WARNING:

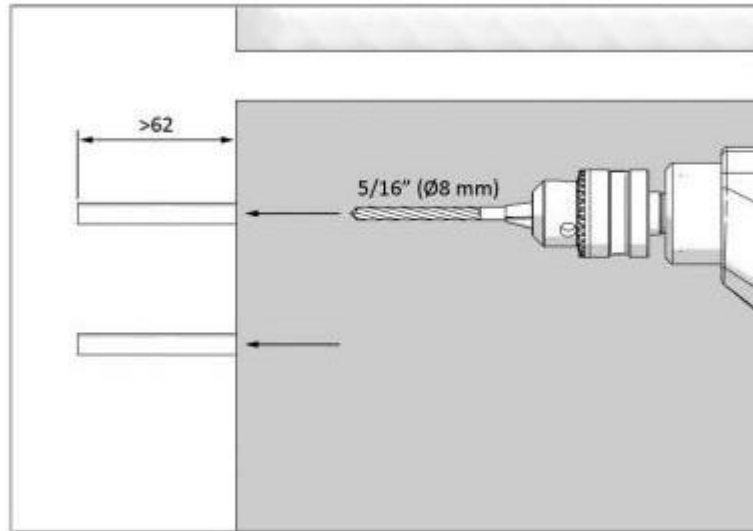
Please remember to use the necessary protective equipment when drilling holes on the wall and performing installation.

- Mark the wall for Anti-Tip Brackets (item No.2).

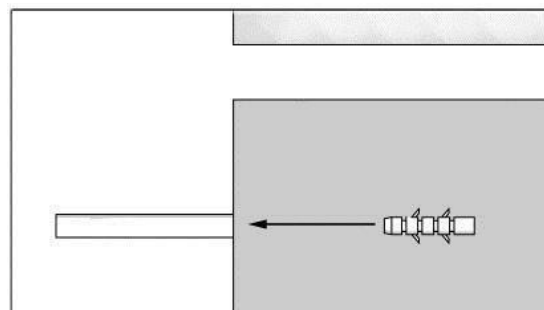


Category	AINT7600/AINT7600IW	AINT9000/AINT9000IW	
A	30" (762mm)	36" (914mm)	
B	23 5/8" (600mm)	23 5/8" (600mm)	
C	3 3/16" (81mm)	6 3/16" (157mm)	

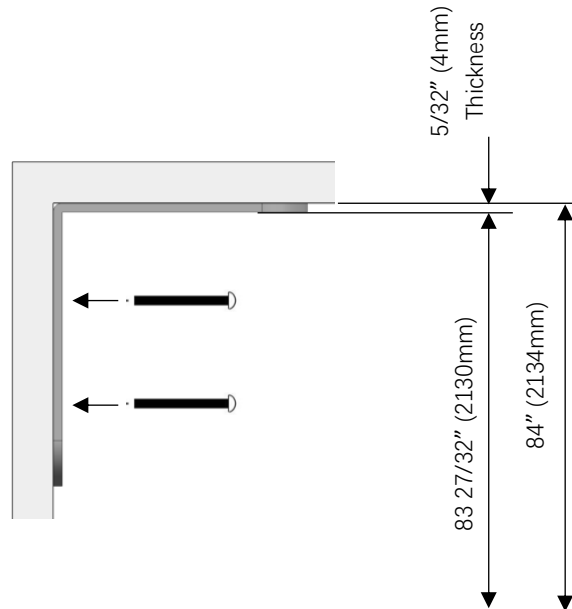
- Use a drill to create holes for dowels (item No.3) at the marked points. (5/16" -Ø8)



- Use the hammer to fit the dowels (item No.3)



- Fit the anti-tip brackets (item No.2) into their places, using 4 screws (item No.4) for each. You must use all of the 2 brackets to ensure safety of the product.



WARNING:

If you are not sure whether the existing connection parts are fit to the wall as securely as they should be, you can use alternative anti-tip methods.

If there is furniture at the back wall of the refrigerator, please make sure that the furniture is fixed to the wall. For this, you need to be sure that the back wall of the furniture is fixed to the concrete back wall with suitable connection parts.

Alternative anti-tip method:

If the anti-tip brackets cannot be connected securely, you must use the alternative method below.

In this method, you can use wooden girders to avoid the risk of tipping over.

It must be installed as illustrated in the figure below.

There must be no clearance between the product and the wooden girder.

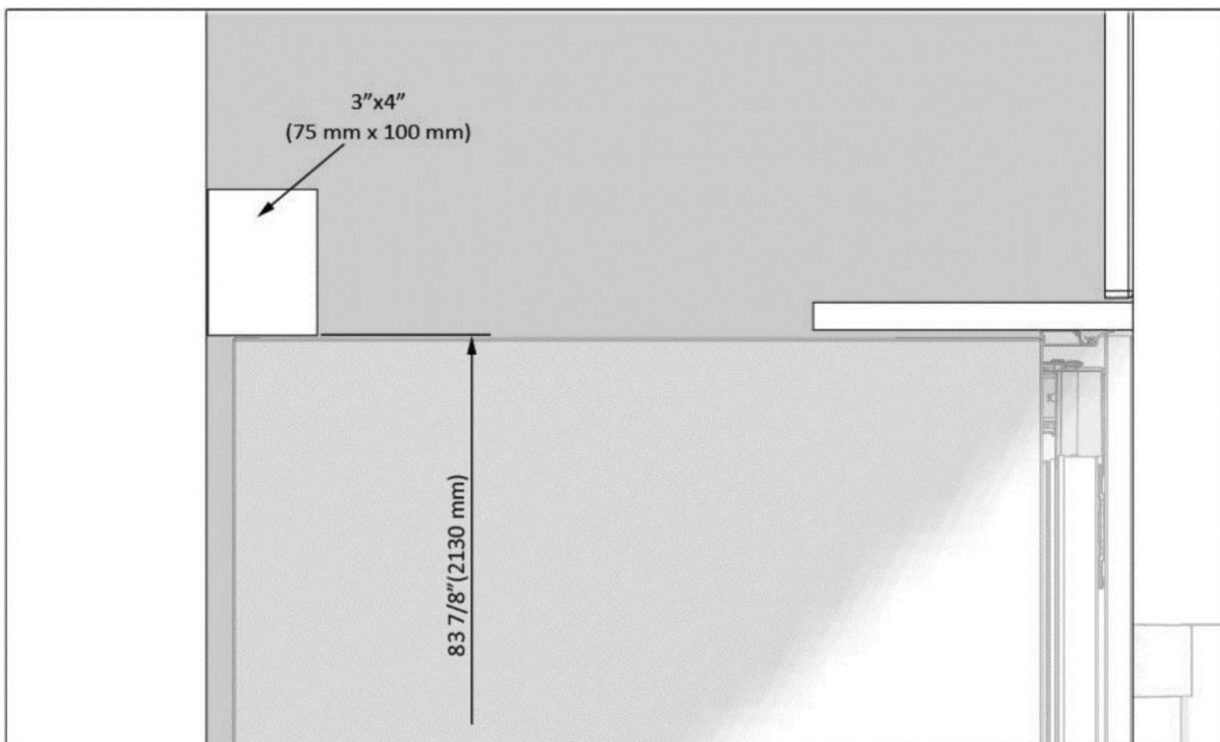
Minimum section dimensions of the wooden girder must be 3"x4" (75 mm x 100 mm). Width of the girder must be equal to the clearance where it will be installed.

An additional girder must be used if the niche depth is more than anticipated. The wooden girder must contact the product with a maximum size of 2" (50.8 mm).

To determine the location for the wooden girder, mark it on the rear wall, select suitable screws and connect safely.

WARNING:

Number and features of the screws to be used for the wooden girder must be determined so that there is no safe connection.

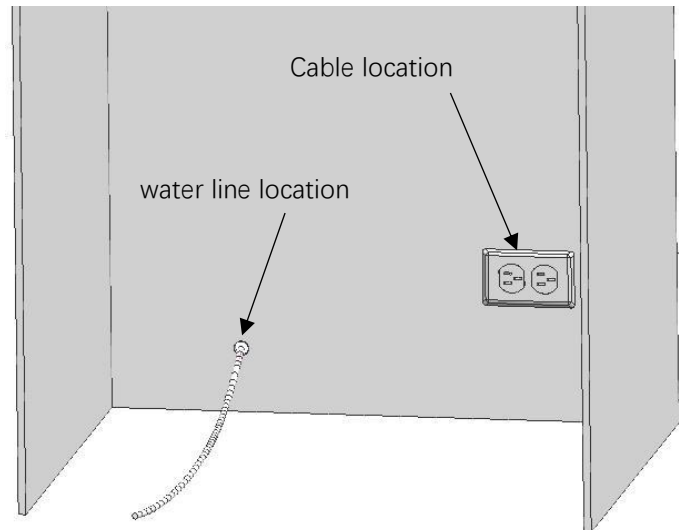


Preparing the Water Hose and the Power Plug

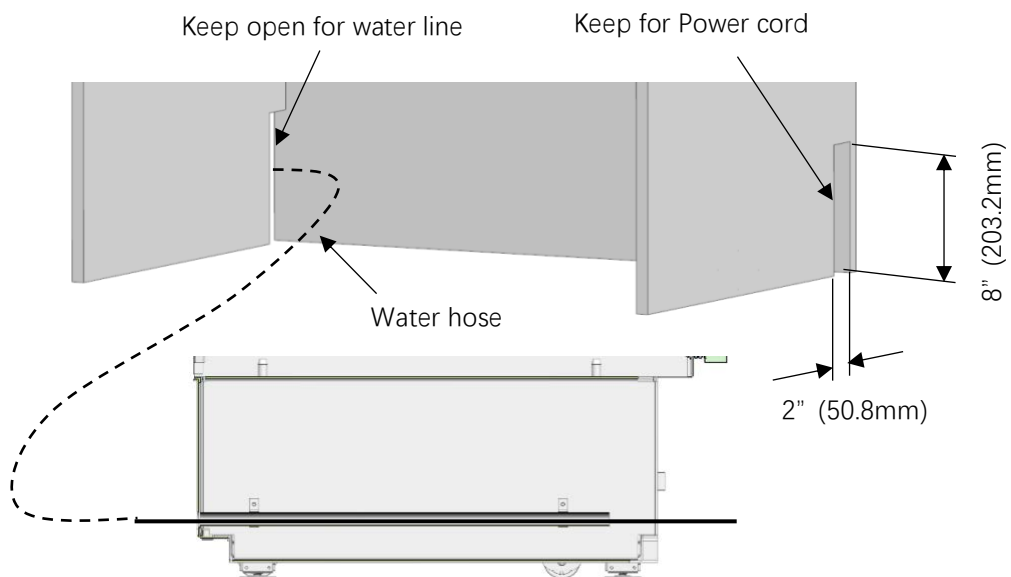
You will need a hose with a minimum length of 60" (1.5 meters) and a diameter of ¼" water connection of the product during installation.

A connector that has a thread with an external diameter of ¼ must be used to connect the hose end to the product. You can choose the method A or method B below to prevent the cable from getting jammed.

- Method A : Locate the water hose and power supply on the back



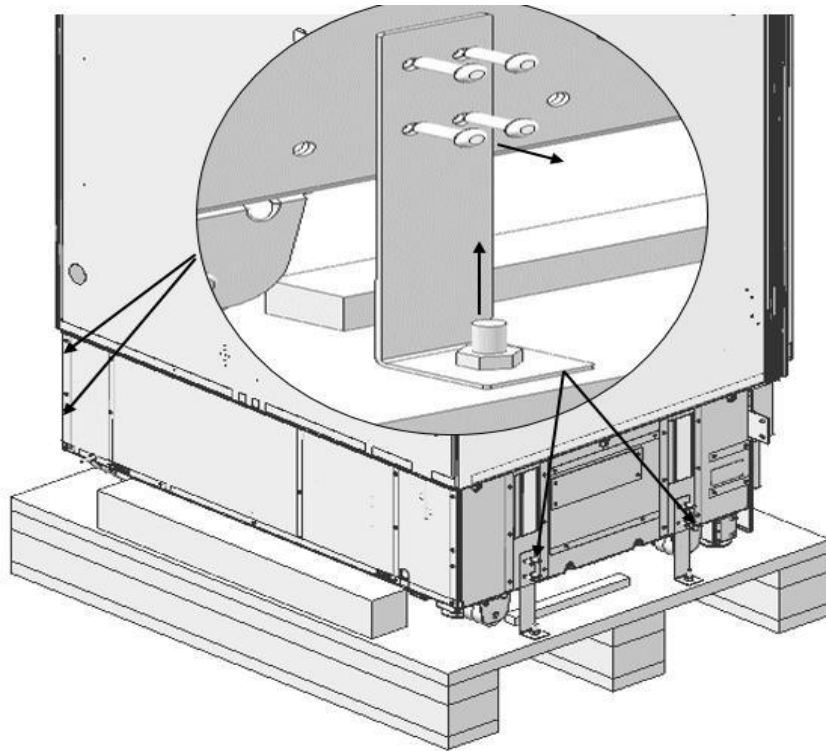
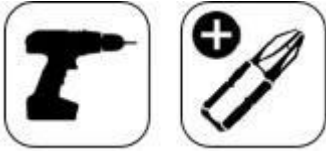
- Method B : Locate the water hose and power supply on the side



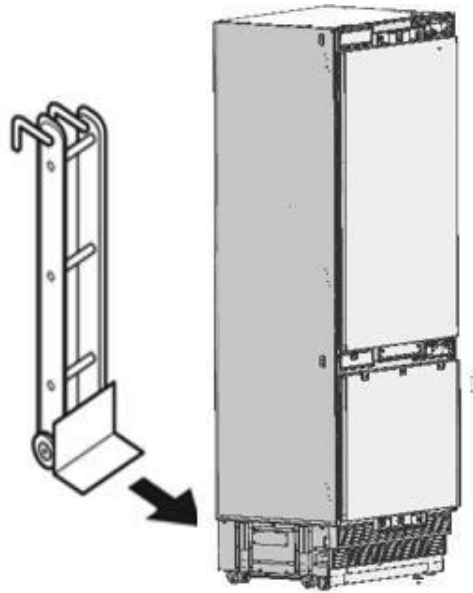
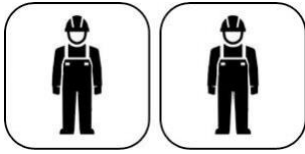
INSTALLATION TO THE CABIN

Taking the Refrigerator from the Wooden Pallet

- Remove the brackets that connect the refrigerator to the Wooden Pallet.



- Recline the refrigerator slowly and pull back with the help of the cart, and then land it.

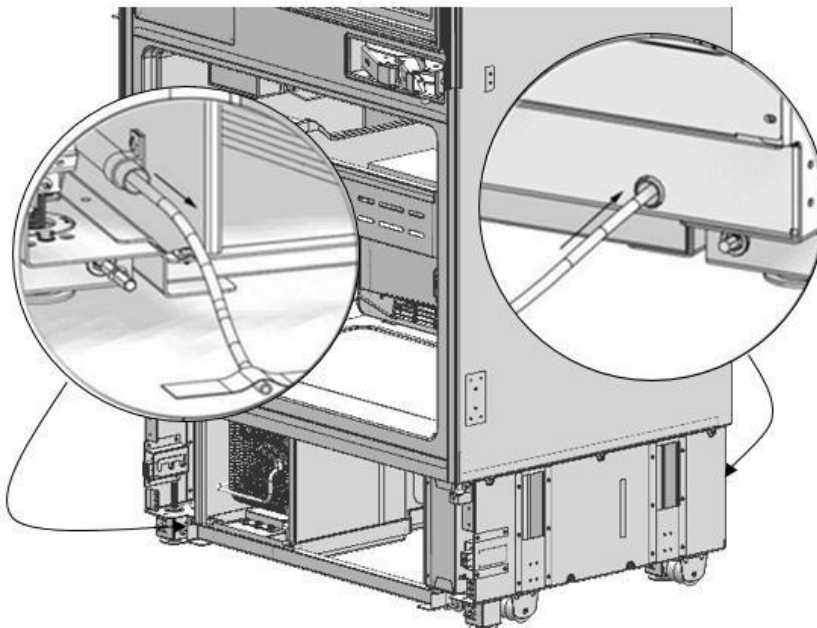


ATTENTION:

The risk of tipping over is high as of this point. You should not open the doors until the product is placed into the cabin.

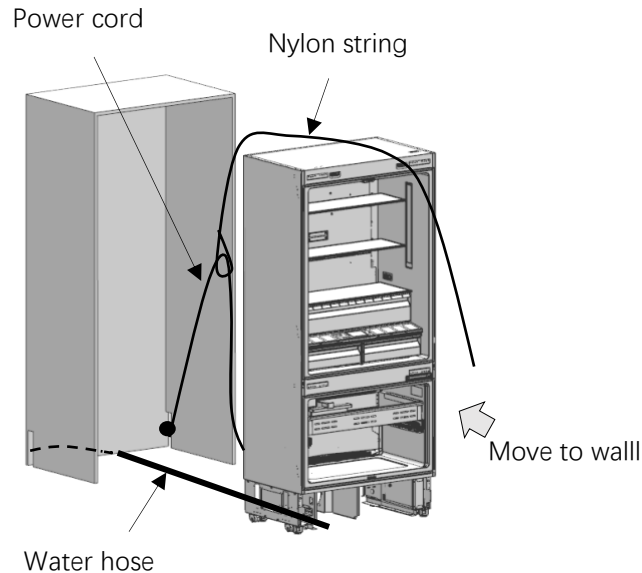
Placing the refrigerator into the cabin

- Insert the mains water hose into the duct at the back and take it out from the front.



IMPORTANT INFORMATION:

- Apply the below method to prevent the cable from getting jammed.



- Start the refrigerator and make sure it is energised. (You can check if the lamps of the freezer compartment are on or off to see if the product is operating).

IMPORTANT INFORMATION:

You can use tape and similar protectors on parts you think this is necessary to protect the edges of the furniture when placing the product.

WARNING:

The plug of the product must be accessible after installation. If the plug is not accessible after installation, the power must be cut off from the main switch.

WARNING:

Make sure that the mains cable is not jammed when placing the product.

- Push the product carefully towards the cabin to place it. If there is strain during the placement of the product into the cabin:
 - The floor might be rough or uneven.
 - Adjustable feet might be loose.(please see the relevant section to learn how to adjust the adjustable feet)

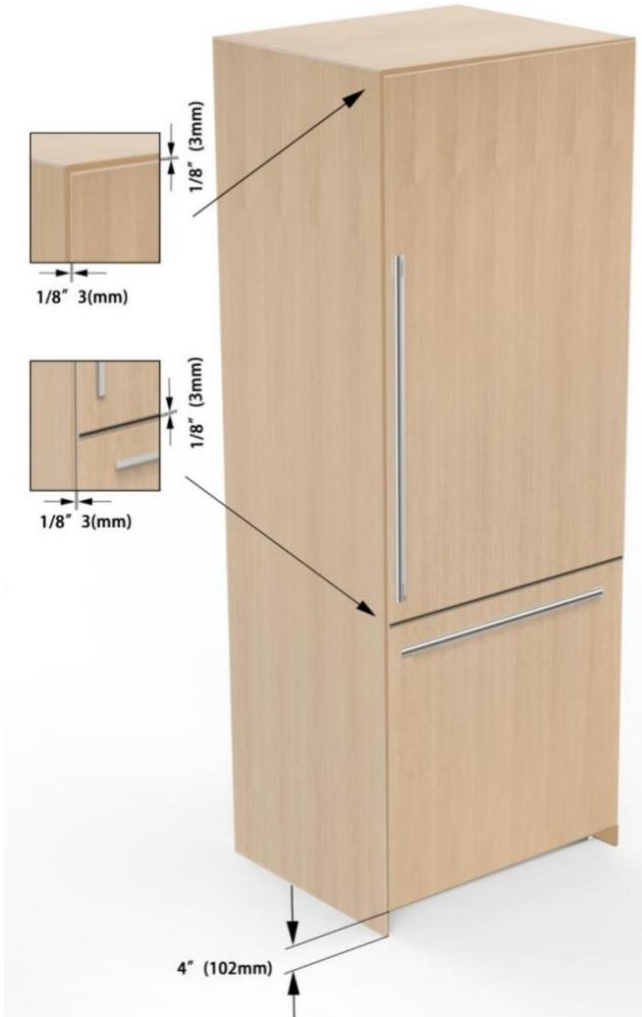
- You must attach the Freezer Door temporarily to align the product before placing it.

You must use the upper edges of the Freezer Door when aligning the product with the furniture.

Adjustment of other edges are explained in the following pages.

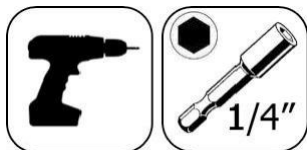
i IMPORTANT INFORMATION:

You must use the upper edges of the Freezer Door when aligning the product with the furniture. Adjustment of other edges are explained in the following pages.



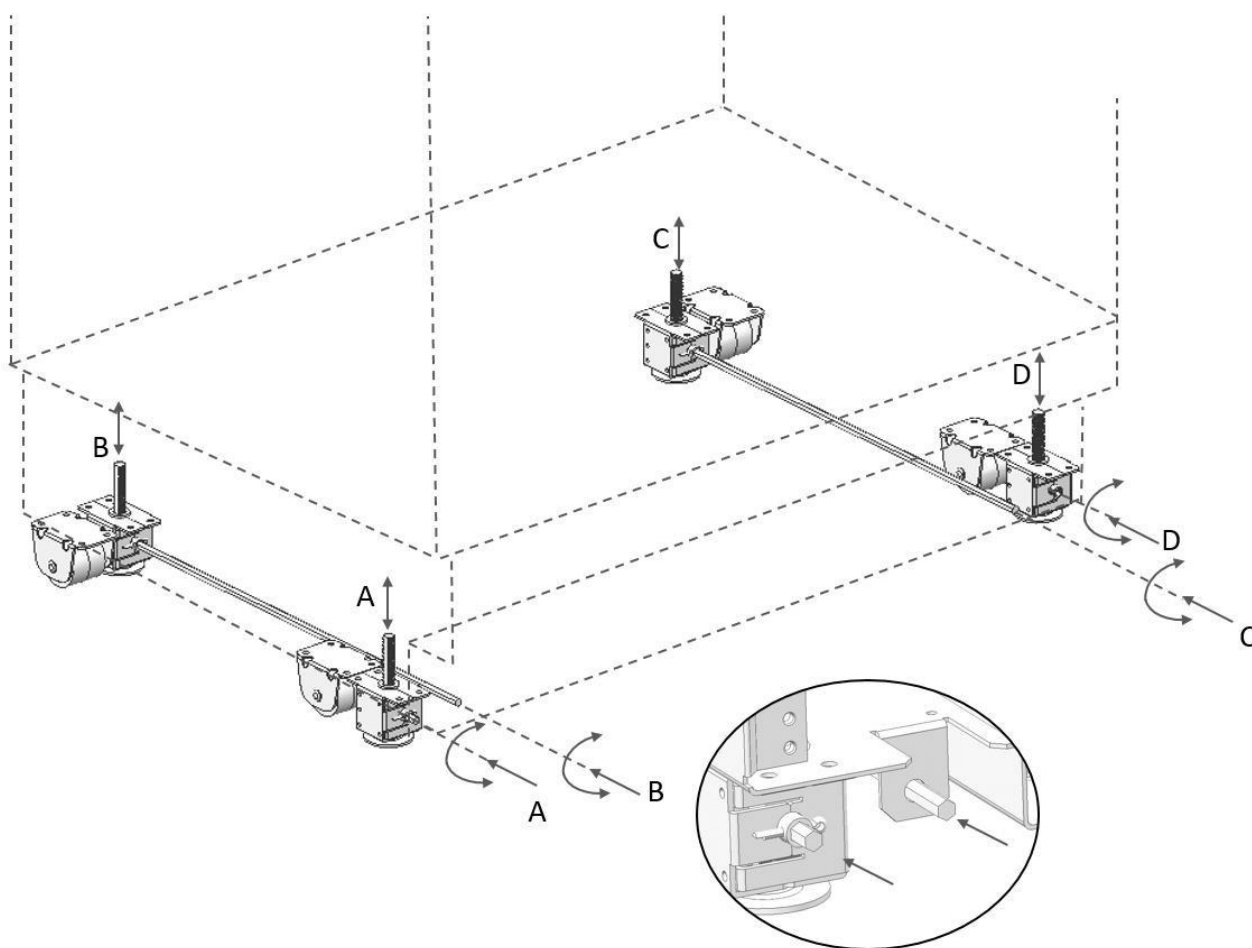
Adjusting the height of the refrigerator in the cabin

- Adjust the refrigerator height using the adjustable feet.



WARNING:

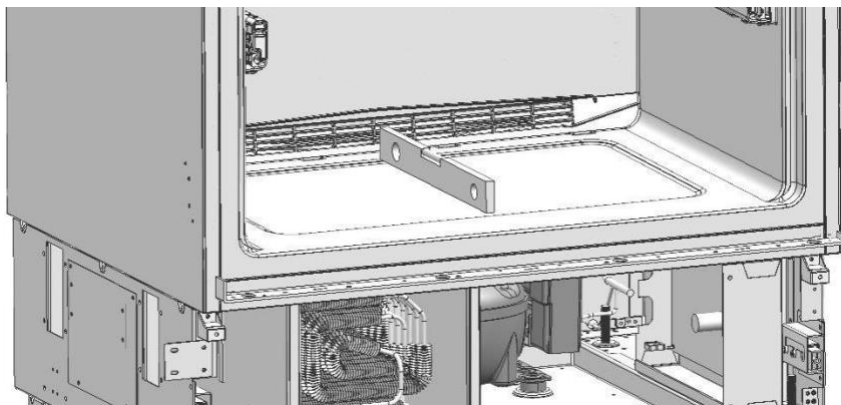
First of all, raise the front feet to reduce the risk of the cabin falling forward.



A/D –Turn the key clockwise to lift the front

B/C –Turn the key clockwise to lift the rear.

- After adjusting the adjustable feet, check the flatness in both width and depth directions.

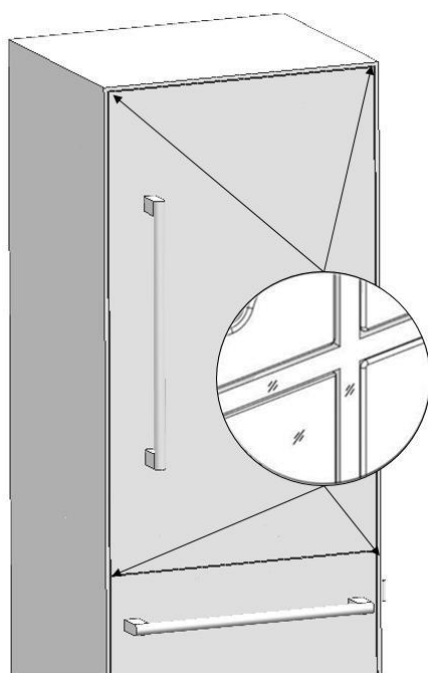


The maximum height that the adjustable feet can reach is 1 9/16" (40 mm) and the product height is 85 3/8" (2,169 mm)

IMPORTANT INFORMATION:

Adjusting the refrigerator according to the cabin flange

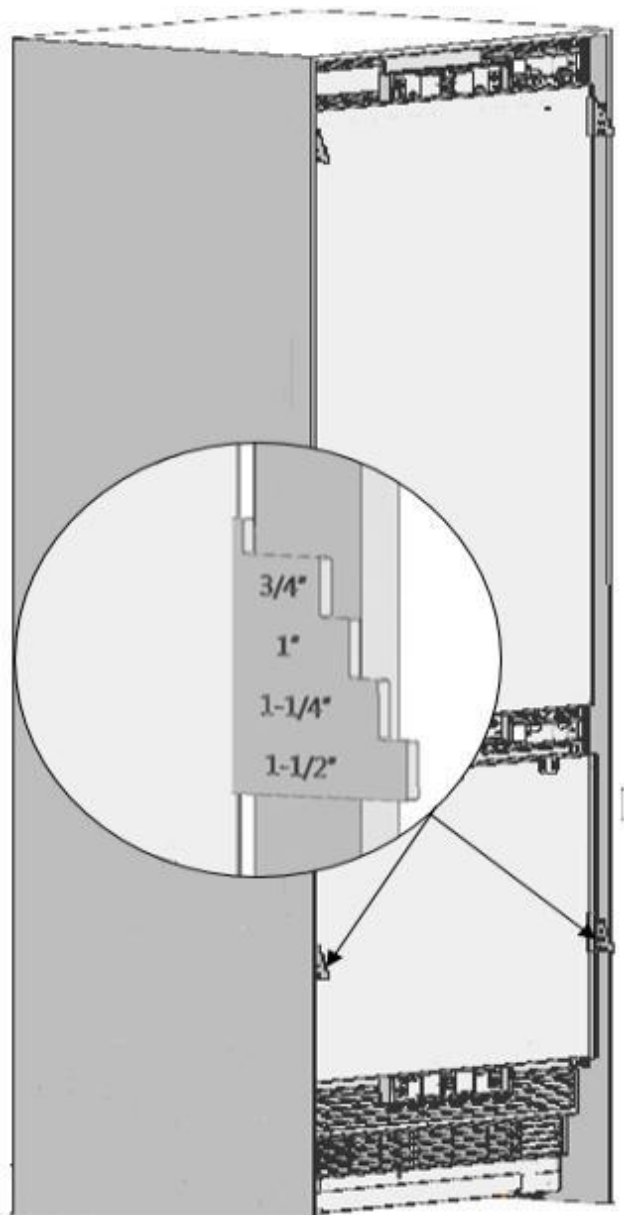
- For products with clad doors, the position of the Refrigerator is adjusted so that the door and the furniture surface are flush. You can also use position adjustment jig (Item No5) if necessary.



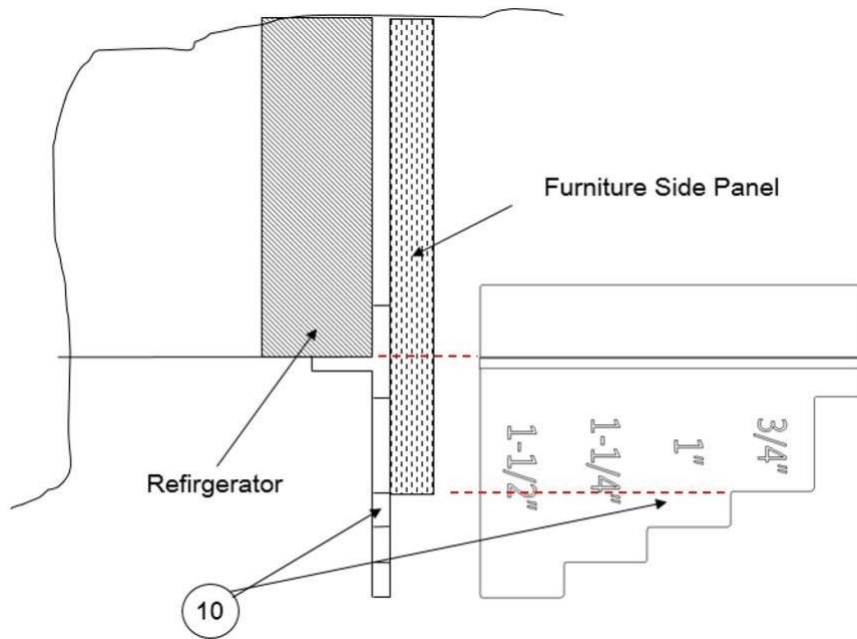
- For products without furniture doors, the product is placed using the Adjustment part (Item No5) as shown in the figure below.

IMPORTANT INFORMATION:

It is very important to align the upper edge of the Freezer door when aligning.
All the other edges can be adjusted with the adjustment mechanisms.

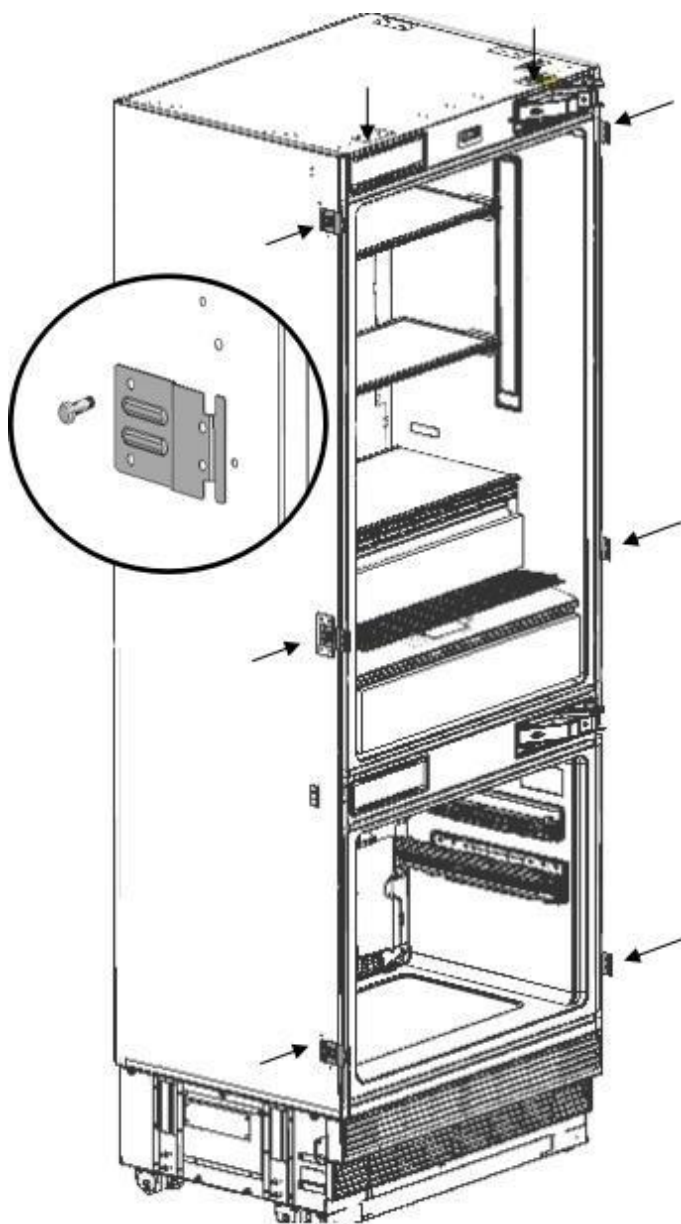


- The position adjustment jig (Item No5) must be adjusted according to the thickness of the door. It can adjust the level for 4 different door thickness levels.



Screwing the cabinet-cabin connecting bracket

- Fix the cabinet-cabin connecting bracket (Item No12) to the cabinet, where 2 on the top, and 3 on every side. Use screw cabinet connecting bracket (Item No11) to tighten.



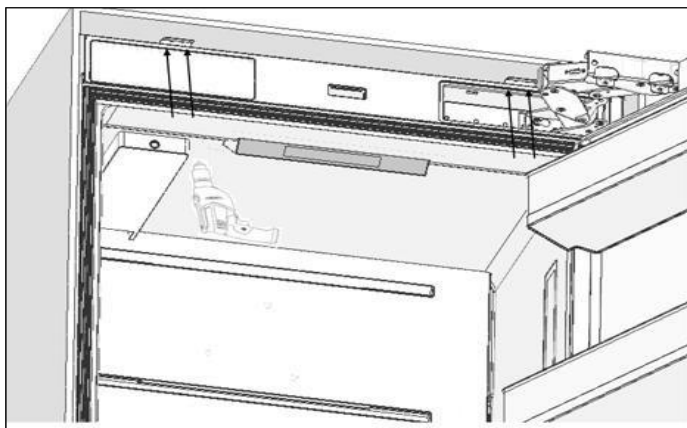
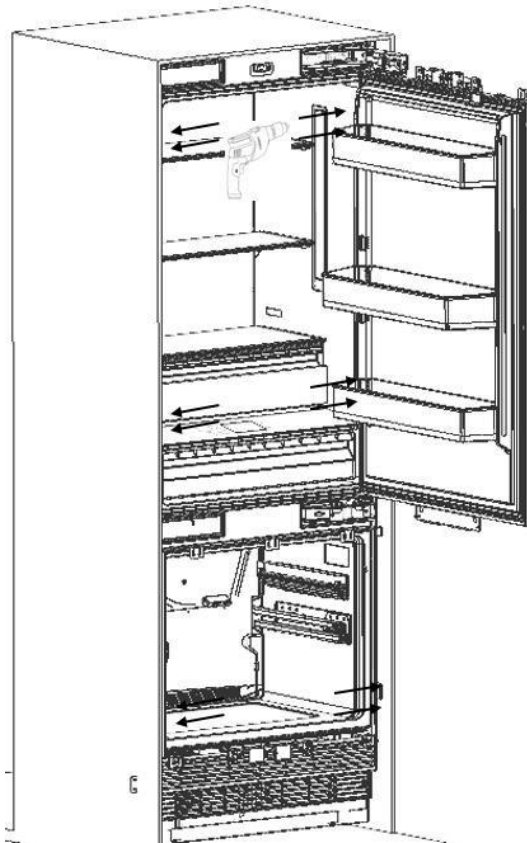
WARNING:

Before starting to screw the Side and Upper brackets, please make sure that water is supplied to the product and there is no water leakage.

IMPORTANT INFORMATION:

If you have difficulty tightening the screws, opening a reference hole with the drill will make this procedure easier.

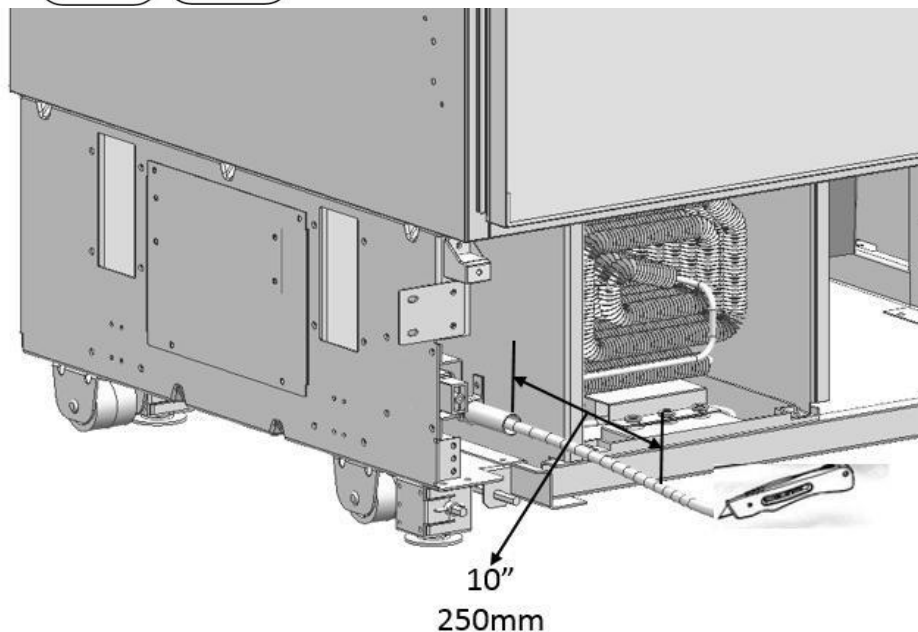
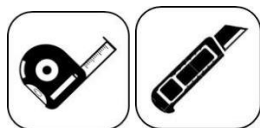
- Attach cabinet-cabin connecting bracket (Item No12) to the cabin with 16 screws cabin connecting bracket (Item No13).



INSTALLING THE CABIN BOTTOM

Water connection

- Use the box cutter to cut the water hose from the end of the pipe it comes out, leaving a section of 10".



- Use the 2 wrenches to firmly connect the hose coming from the mains and the hose coming from the valve.

WARNING:

The hose coming from the mains must be one piece. Do not use extension hoses.

WARNING:

Make sure that the power is cut off when making the water connection of the product.

WARNING:

The water valve must be off when connecting the water hose.

WARNING:

It is recommended that the water on/off valve remains accessible after installing the product.

WARNING:

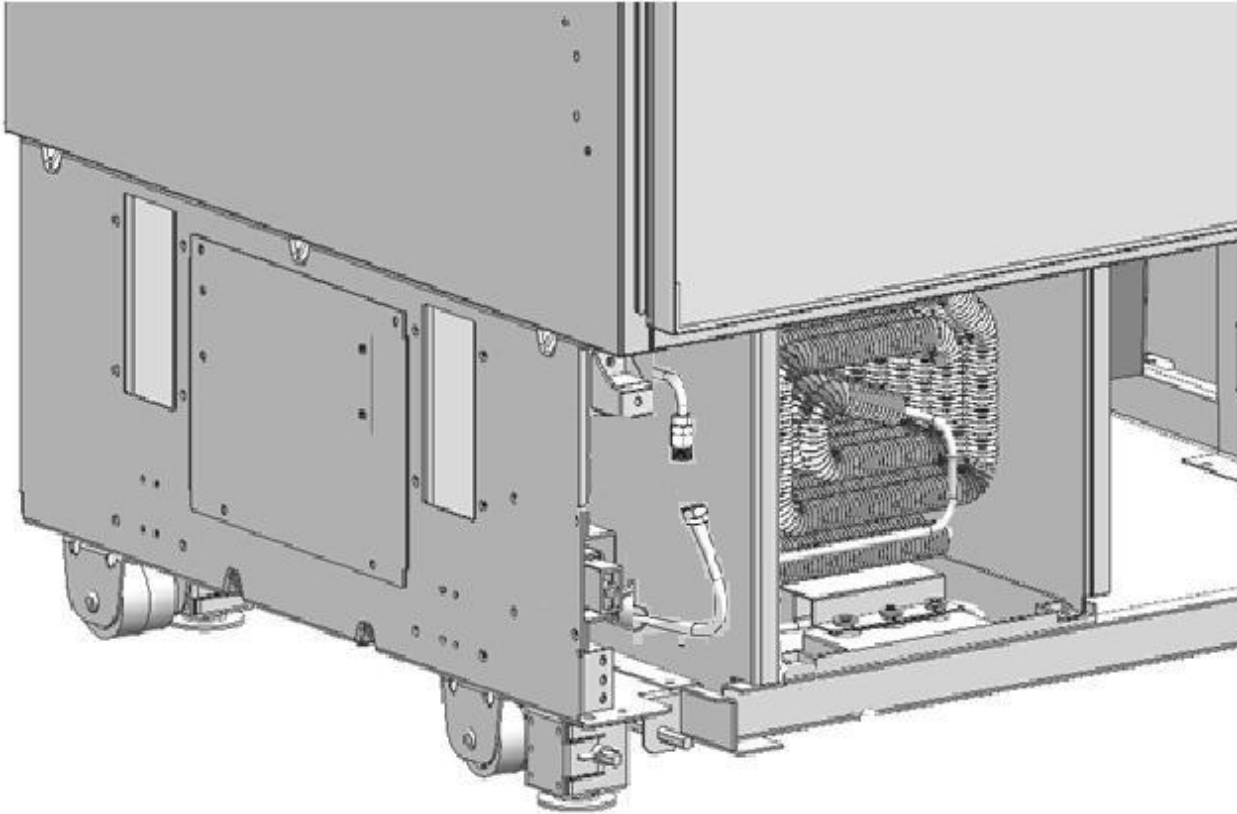
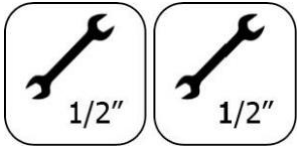
This product is suitable for use with cold water mains only.

WARNING:

Pressure of the water system must be between 25-80 psi (1.7-5.5 Bar).

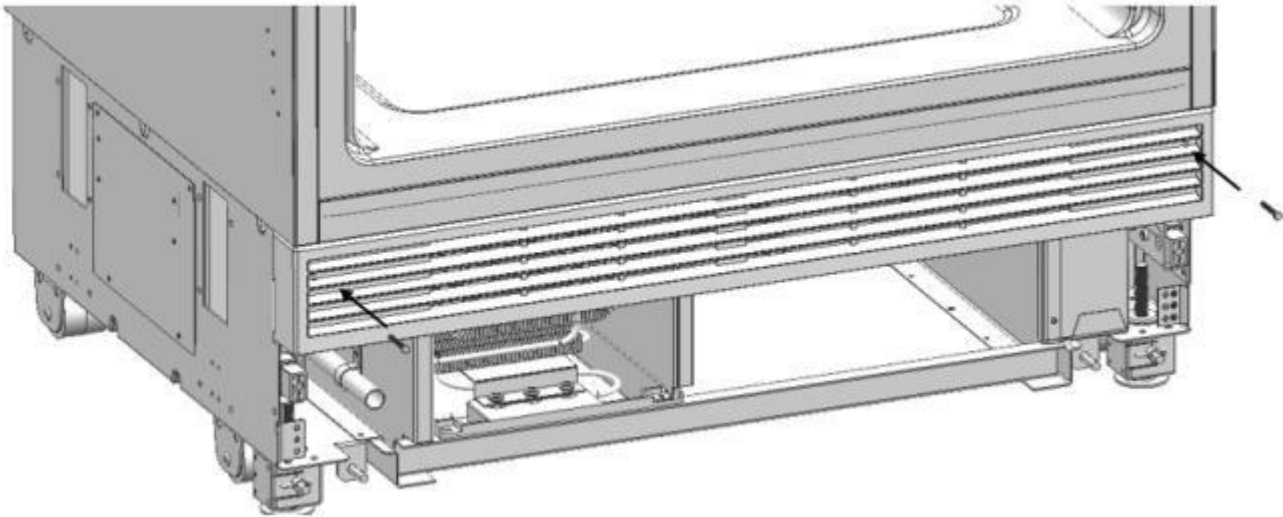
i IMPORTANT INFORMATION:

Once the connection is complete, you must turn on the mains valve and make sure that there is no leakage at that point.



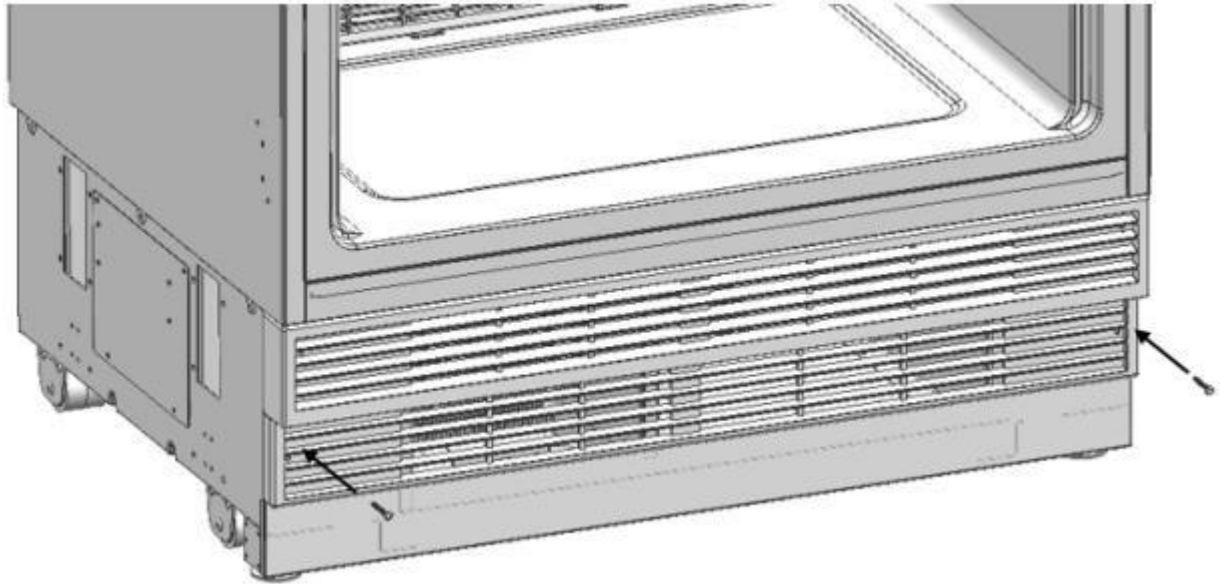
Attaching the upper vent hole part

- Use 2 screws to attach the upper vent hole part.



Attaching the lower vent hole assembly

- Use 2 screws to attach the lower vent hole part.



IMPORTANT INFORMATION:

You can move the lower vent hole forward-backward to adjust it to the kick plate in the kitchen.

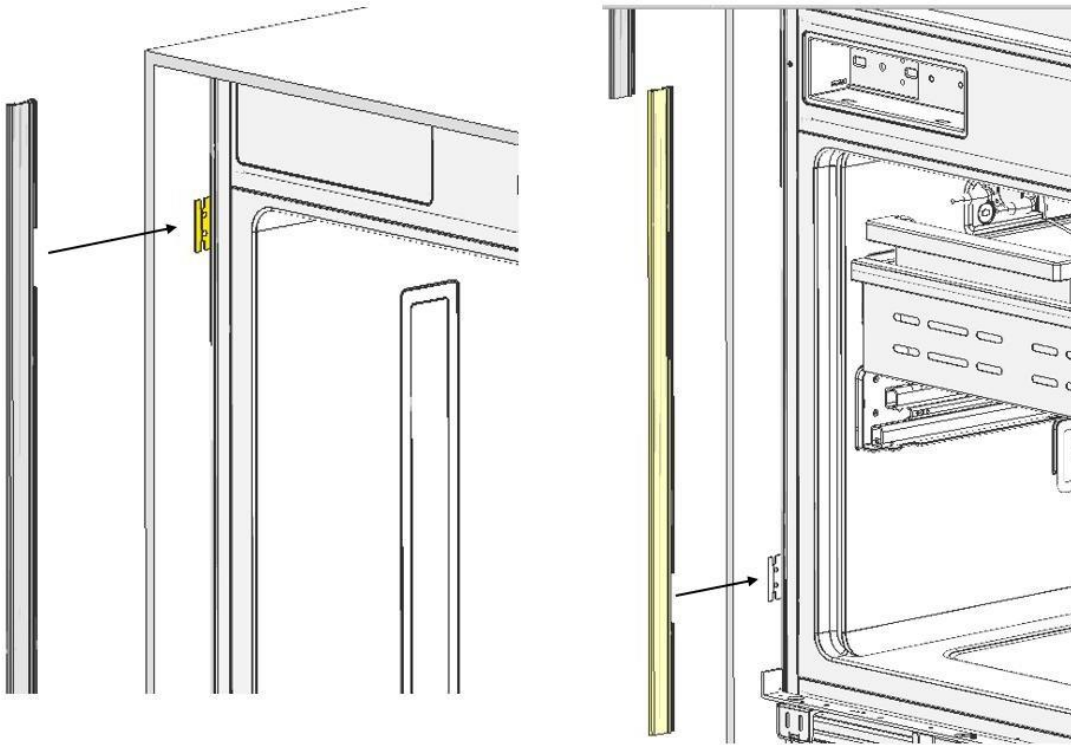
WARNING:

Forward-backward travel distance of the lower kick plate must be 15/16" (23 mm).

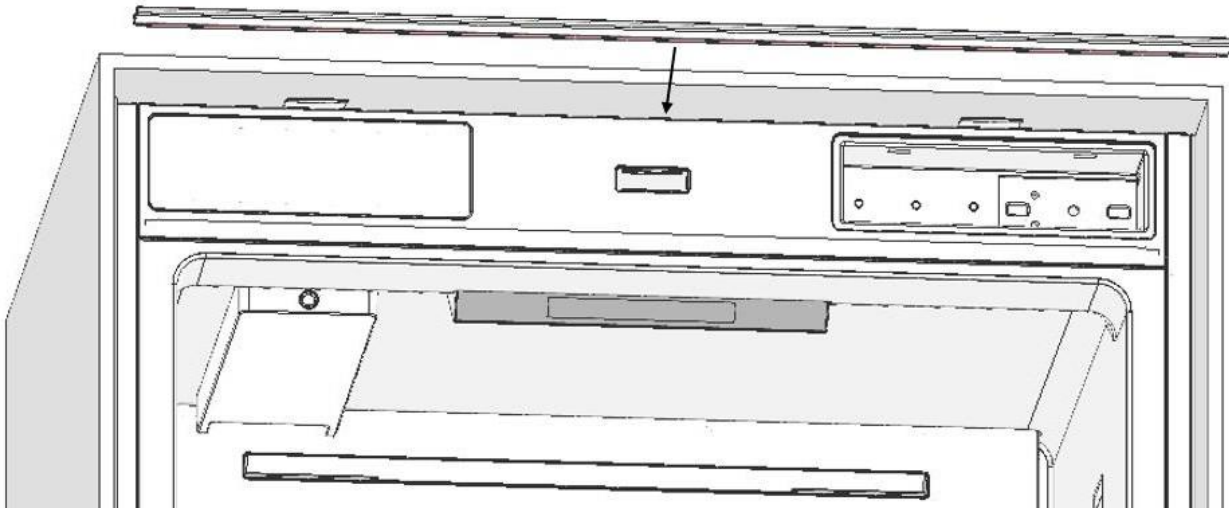
As you can see in the figure, the decorative kick plate must not be in front of the upper vent hole level.

Attaching the decorative parts

- Attach the trim fridge furniture side (Item No1) onto cabinet-cabin connecting bracket (Item No12).



- Attach the trim furniture top (Item No4) onto cabinet-cabin connecting bracket (Item No12).



WARNING:

Maximum weights of the furniture to be mounted to the product are as follows.

Fridge Door: 35.7 lbs. (16.2 kg)

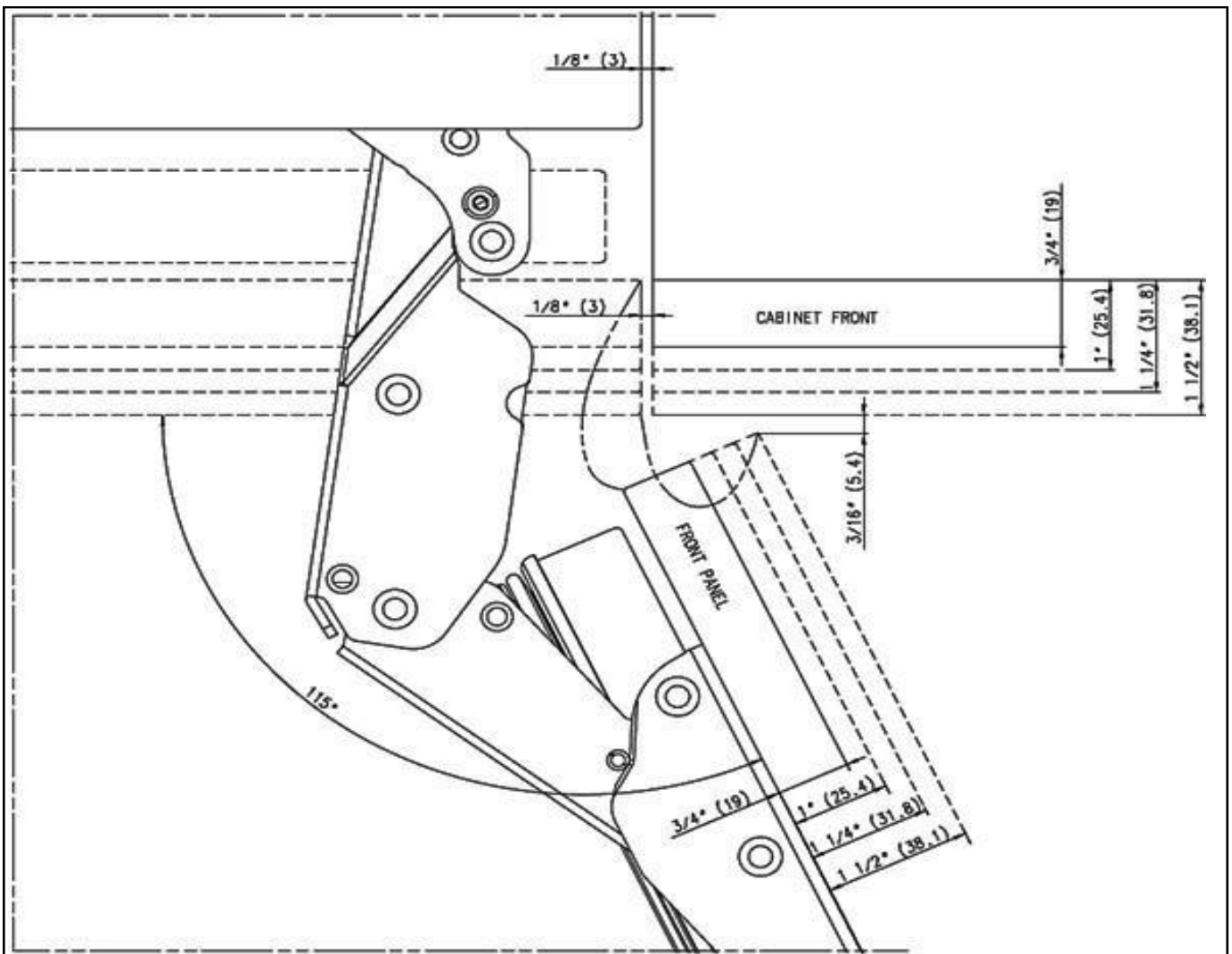
Freezer Door: 19.8 lbs. (9 kg)

Choosing the Door Thickness

- The door of your refrigerator can open by 115° maximum. If the door is going to open to this degree, you can choose the following thickness levels.

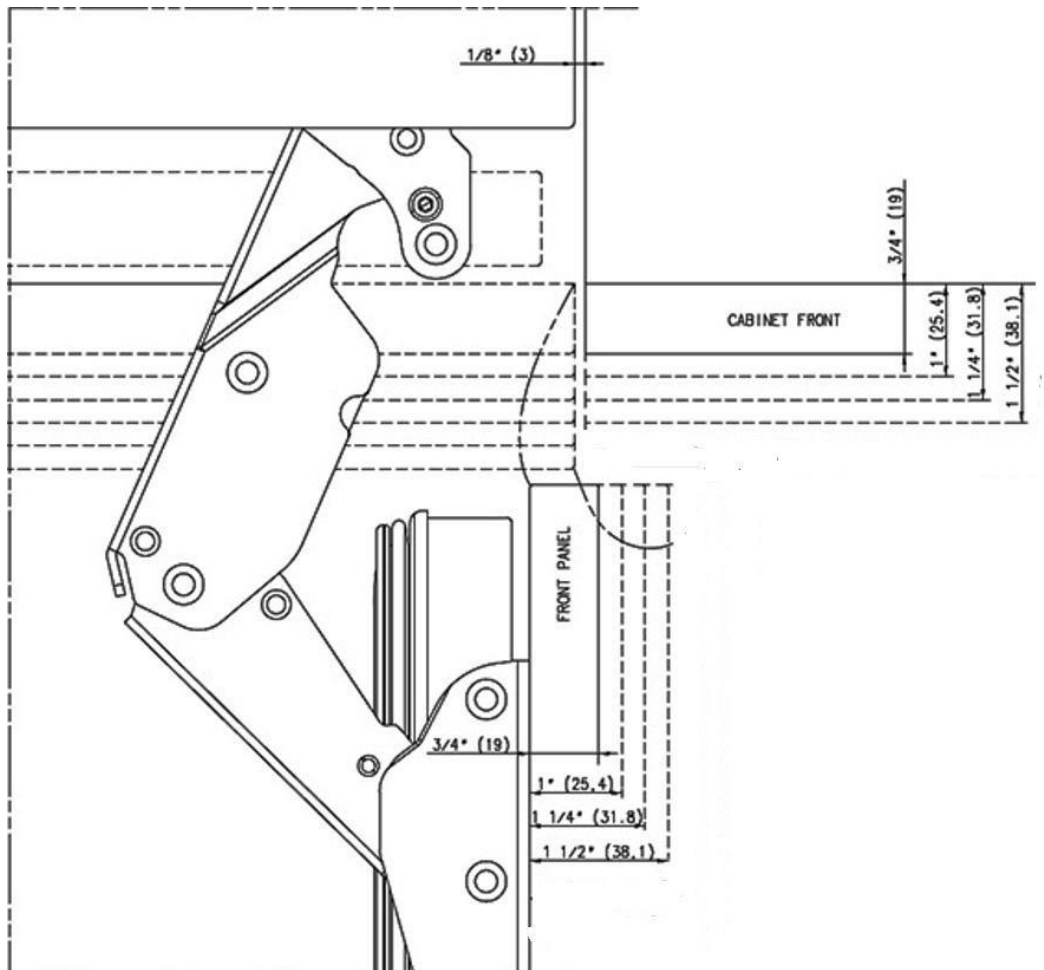
WARNING:

If the door thickness is more than 1 1/2" (38 mm), the door should not open more than 90°. You must use a limiting pin on the hinge.



- You can limit the opening degree of your door to 90° if you want.

In this case, the door thickness levels can be like the following (you can look at the relevant section to learn how to attach the 90° limiting pin (Item No6).

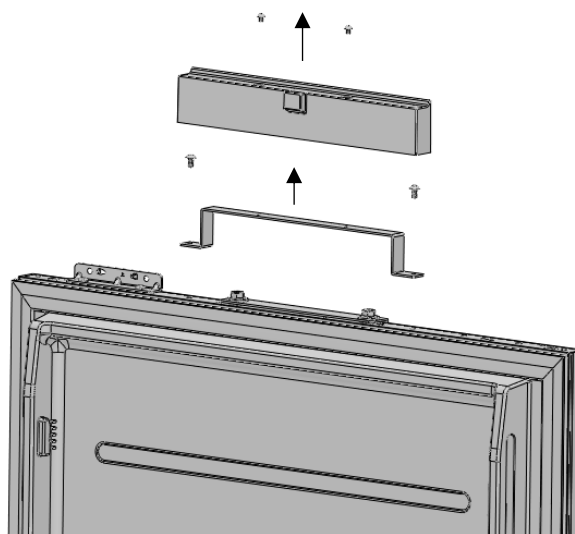
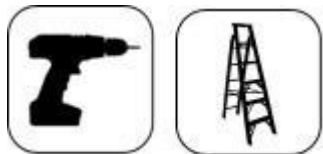


FURNITURE DOOR PREPARATION

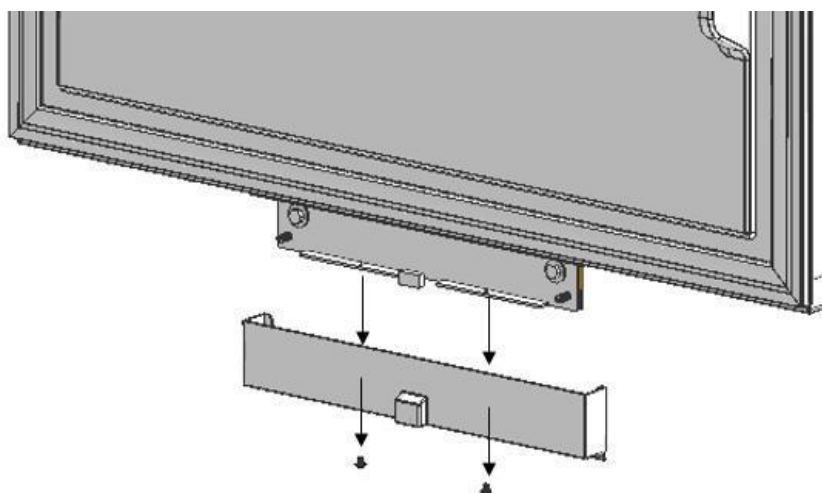
This section contains information about preparing the furniture doors and mounting them to the product.

Removing the Mechanism Covers

- Remove screws to take out the cover door hanger bracket upper and fixing bracket.

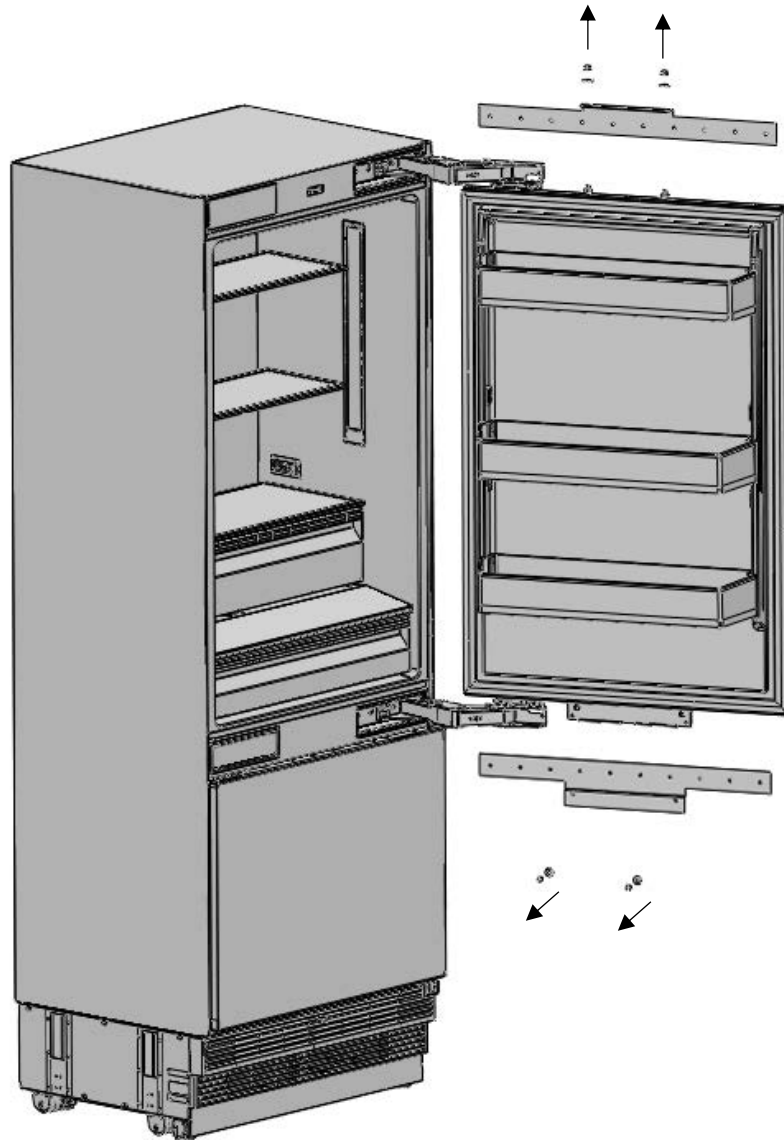


- Remove two screws to take out the cover door hanger bracket low.



Removing the Panel-Adjustment Mechanisms on the Refrigerator

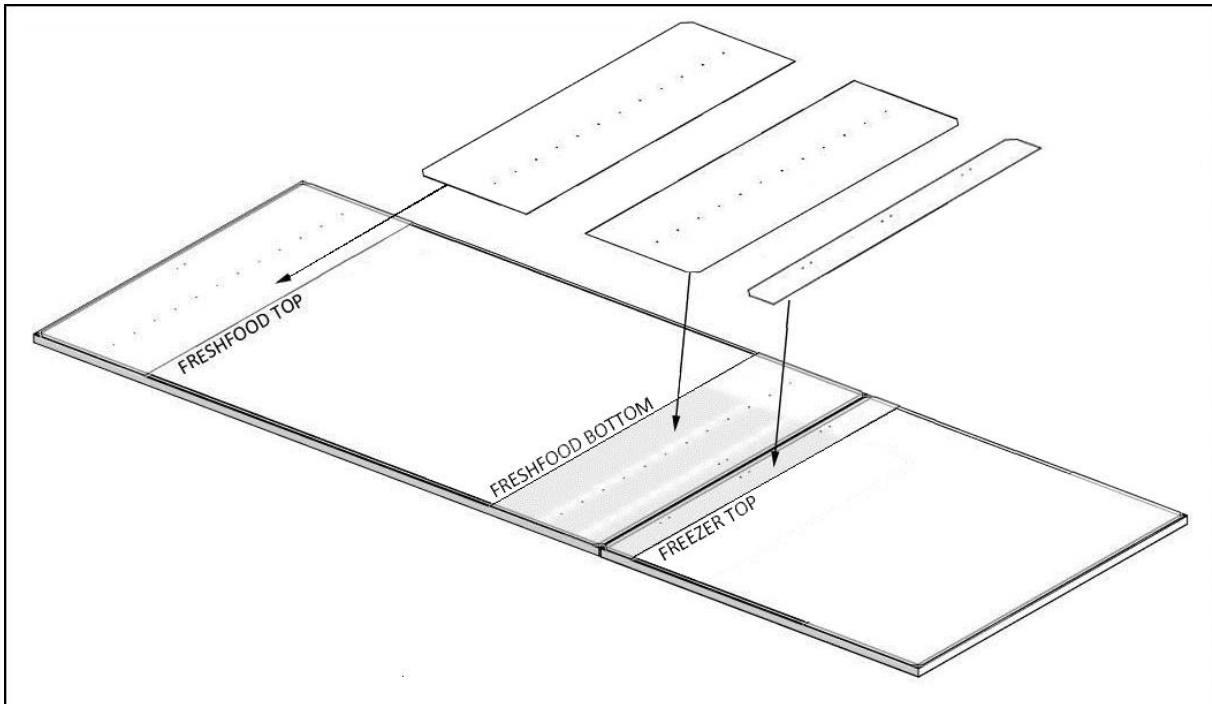
- Remove the upper and lower Adjusting Mechanism assemblies from the door.



Preparing Furniture Door

i IMPORTANT INFORMATION:

You must take the dimensions into account when grouping the cradle parts on the furniture door. When marking, you can use the "Furniture door preparation template" (Item No 1) provided with the product.



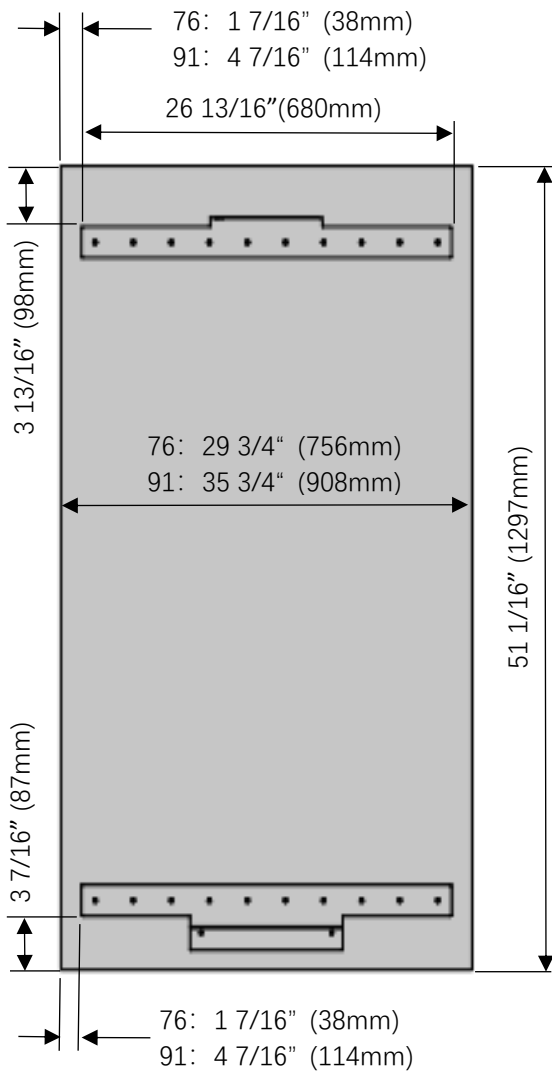
! WARNING:

Handle connection holes must be adjusted according to the handles to be used in kitchen design.

! WARNING:

Minimum thickness of the door must be $\frac{3}{4}$ " (19mm).

Preparing the Fridge Furniture Door

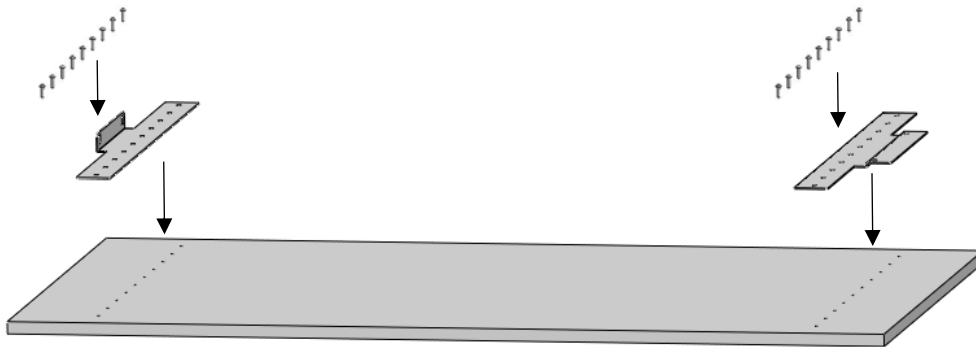


AIN7600/AINT7600IW
AIN9000/AINT9000IW

 **WARNING:**

You must use screws suitable for the door thickness.

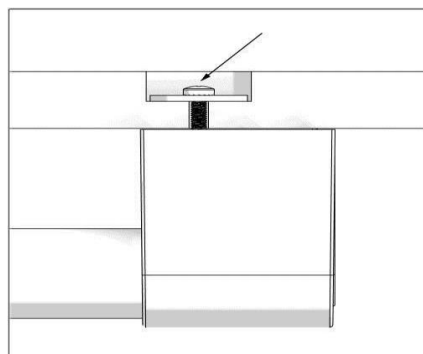
- Install 2 hanger bracket using the screw furniture door hanger bracket (Item No18). You can also use the furniture door preparation template (Item No 1) provided with the product to align these parts. It is recommended to keep this template for future reference.



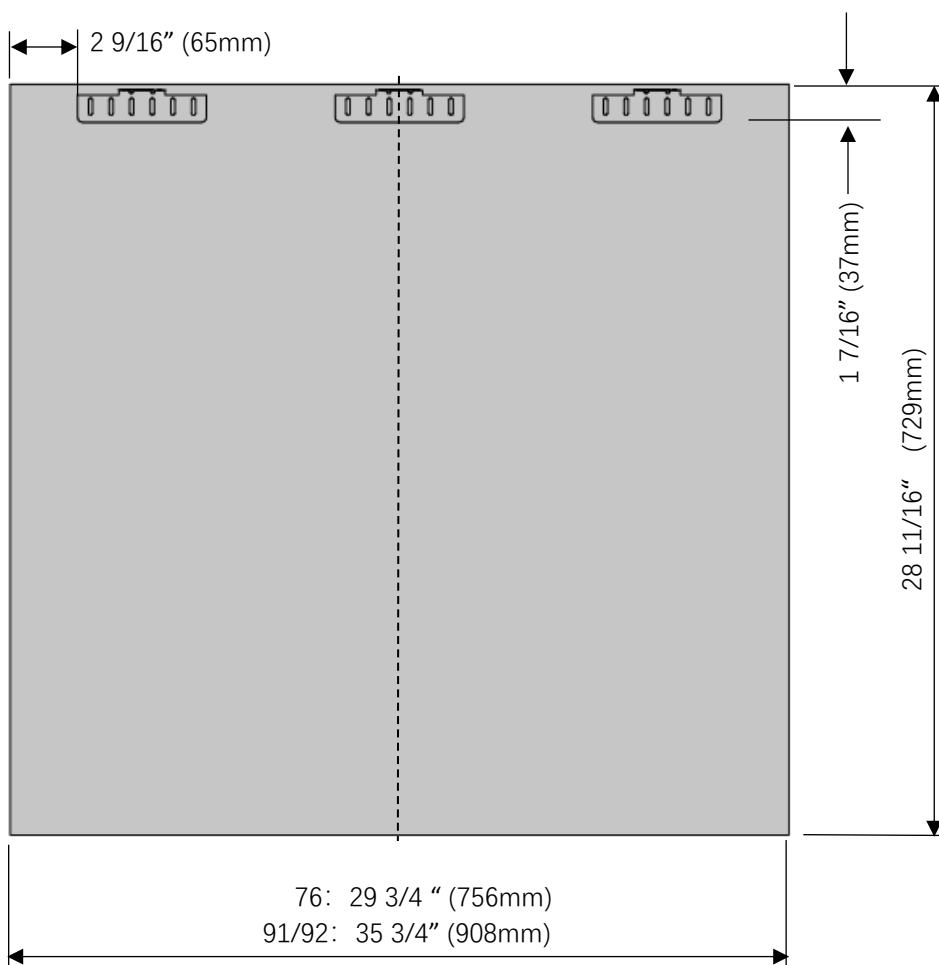
AIN7600/AINT7600IW
AIN9000/AINT9000IW

- Attach the fridge door handle.

Screws holding the door handle must not protrude.



Preparing the Freezer Furniture Door



AIN7600/AINT7600IW
AIN9000/AINT9000IW

WARNING:

Handle connection holes must be adjusted according to the handles to be used in kitchen design.

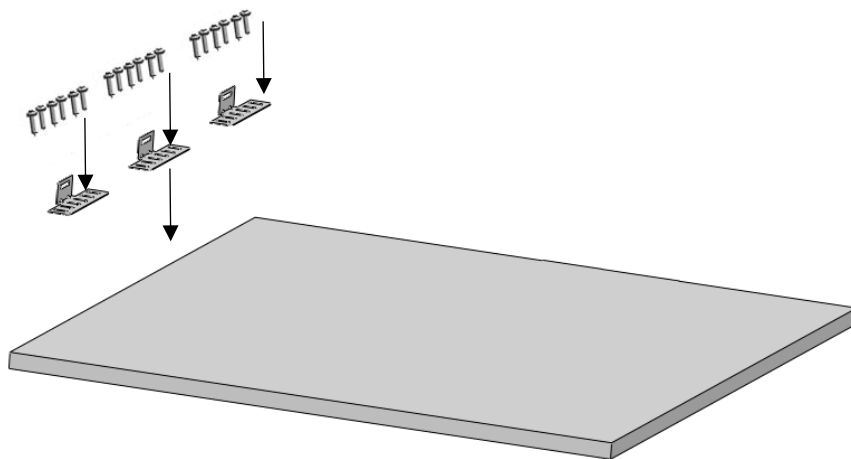
WARNING:

Minimum thickness of the door must be $\frac{3}{4}$ " (19 mm).

WARNING:

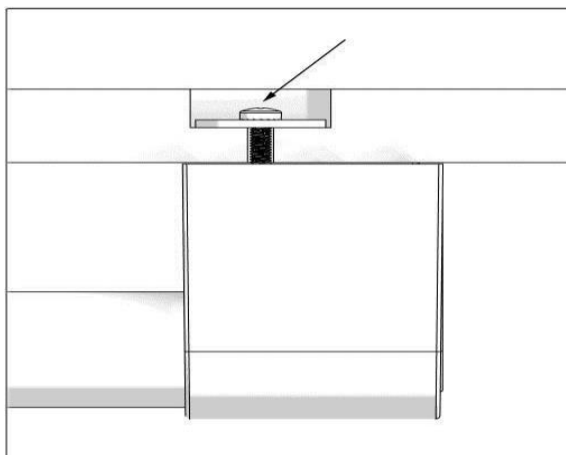
You must use screws suitable for the door thickness.

- Install hanger bracket using the screw furniture door hanger bracket (Item No18). You can also use the furniture door preparation template (Item No 1) provided with the product to align these parts. It is recommended to keep this template for future reference.
- Attach freezer door hanger brackets (Item No9) using 6 screws (Item No18) for each.



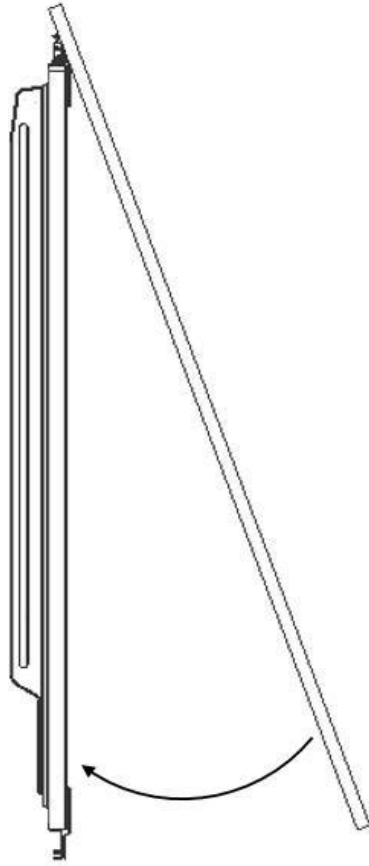
- Attach the freezing door handle.

Screws holding the door handle must not protrude.



INSTALLING THE FRIDGE FURNITURE DOOR

1. Attach the furniture door to the fridge door



How to align the fridge door with bolts.

Position of the Furniture Doors to the kitchen furniture must be flush.

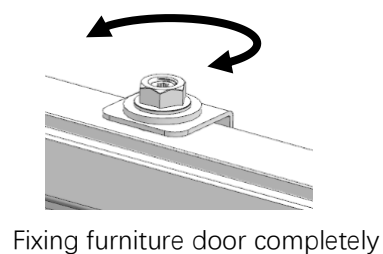
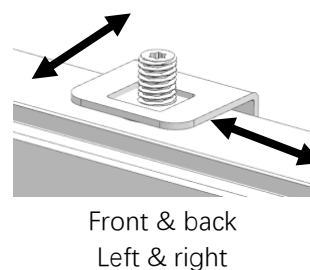
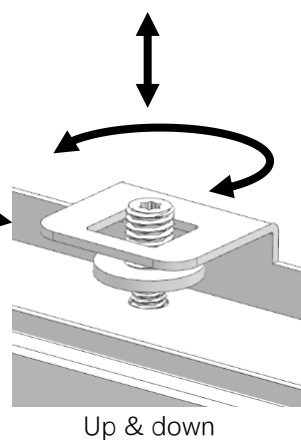
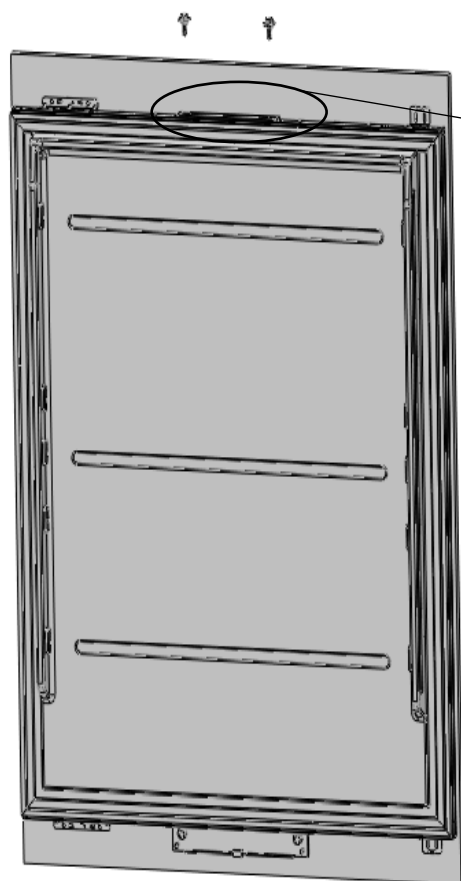
To achieve this, you should adjust 3D direction using by two fixing bolt to perform fine adjustments.

First of all, review the position of the grouped Furniture Doors against the kitchen furniture.

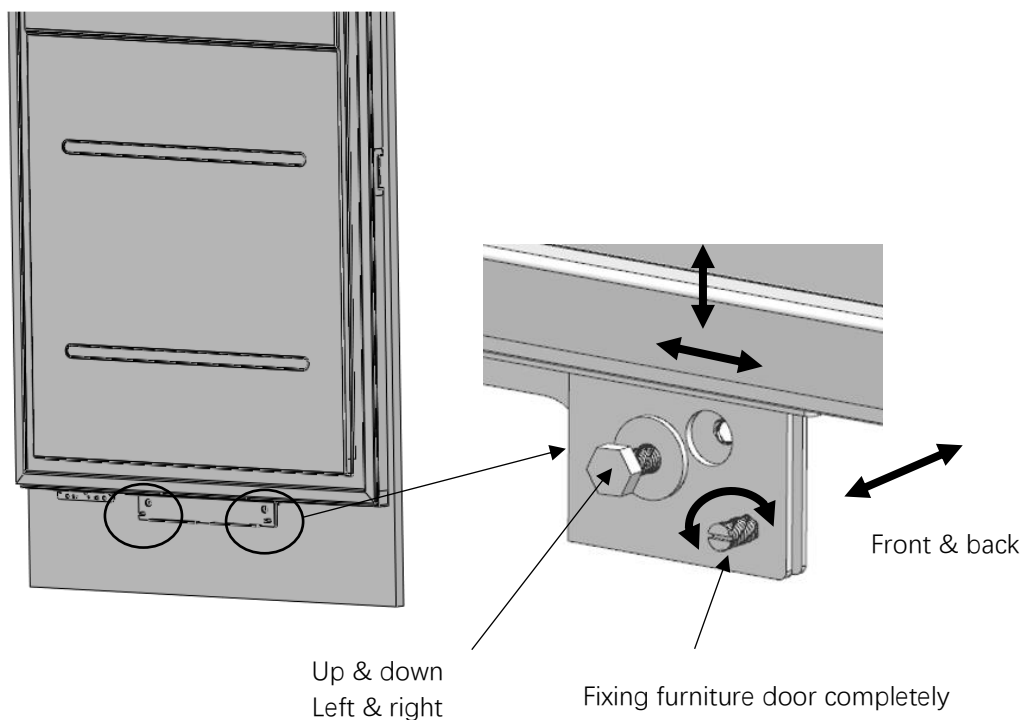
Distances between furniture must be $\frac{1}{8}$ " (3 mm), assuming that the furniture dimensions are correct.

You can make door adjustments based on this distance.

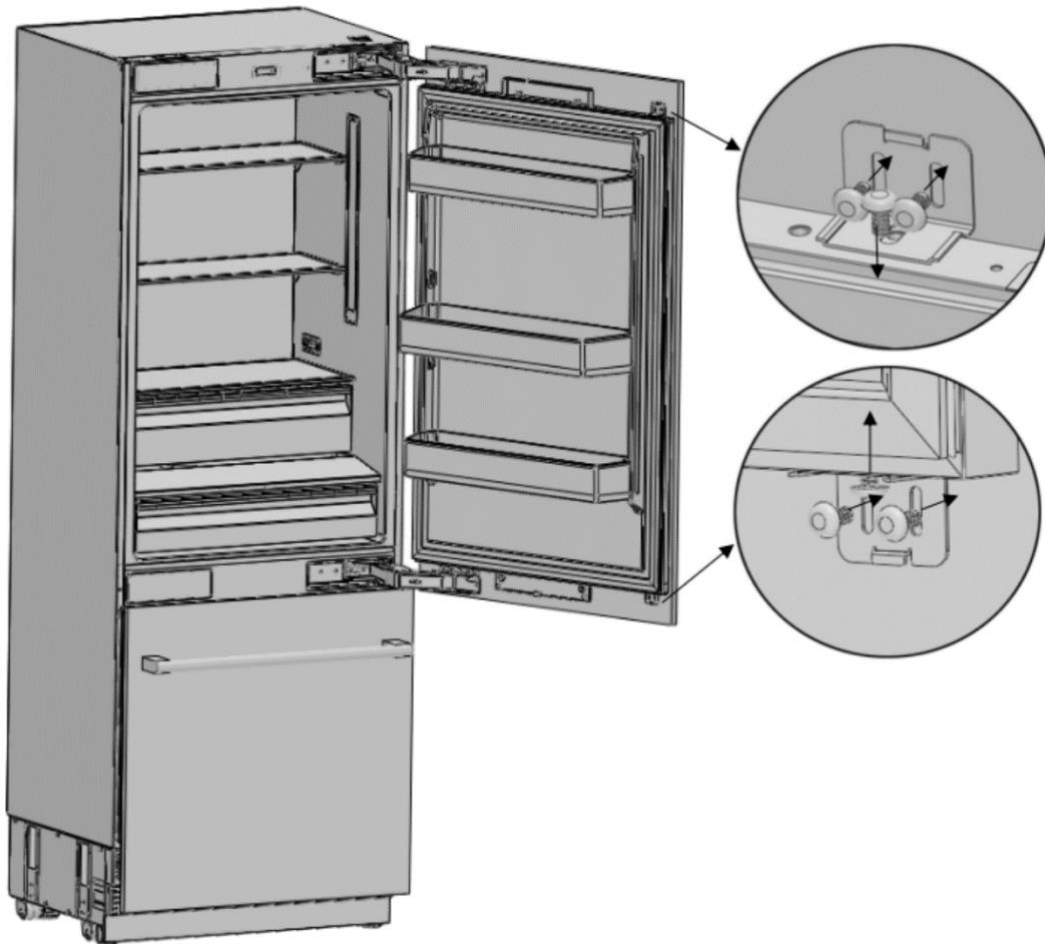
- How to align the furniture door upper part with bolts.



- How to align the furniture door lower part with bolts.

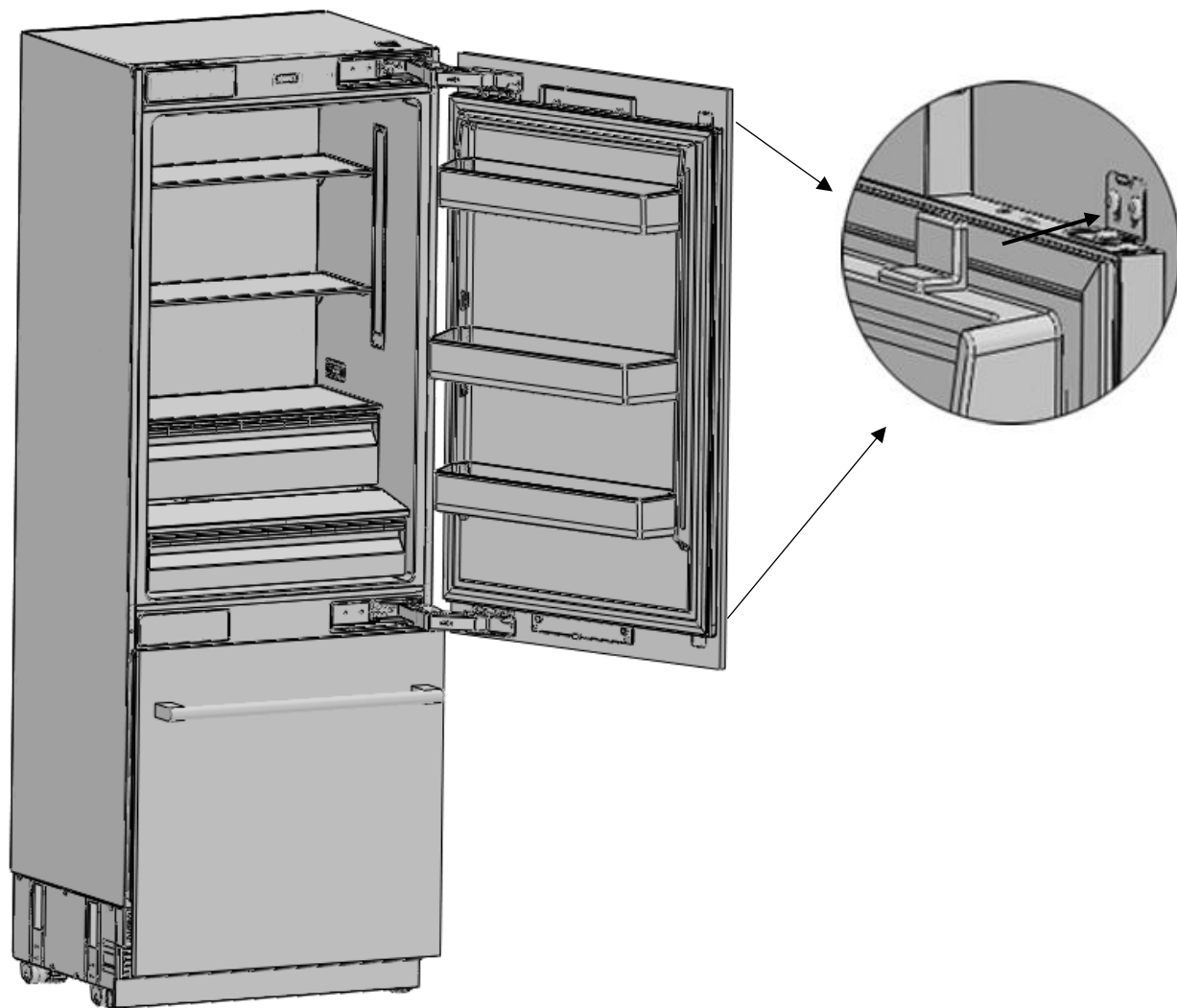


- Use the door-door furniture connecting bracket (Item No16) to join the furniture door
- Use 1 screw door fixing bracket (Item No15) to fix on the door.
- Use 2 screws (Item No17) to fix on the furniture door.



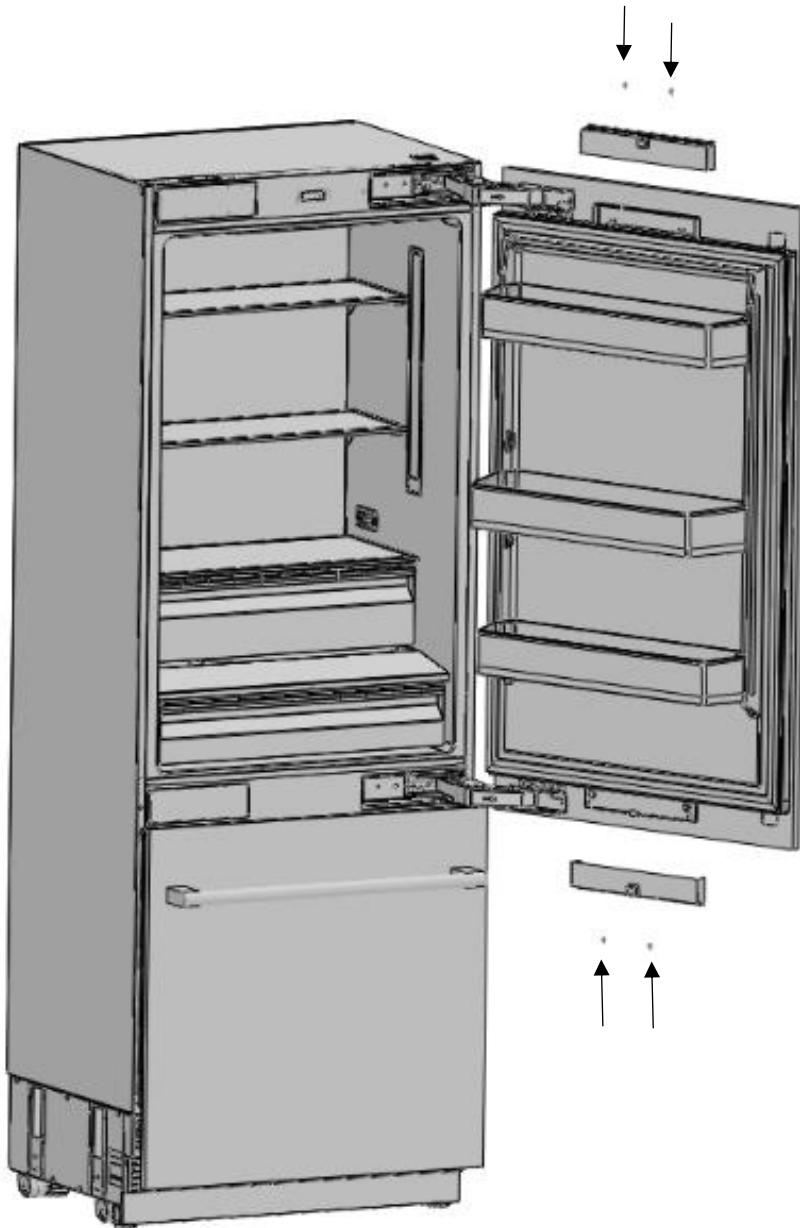
AIN7600/AINT7600IW
AIN9000/AINT9000IW

- Clip the cover furniture door bracket (Item No14).



AIN7600/AINT7600IW
AIN9000/AINT9000IW

- Attach and screw the upper/lower decoration cover.



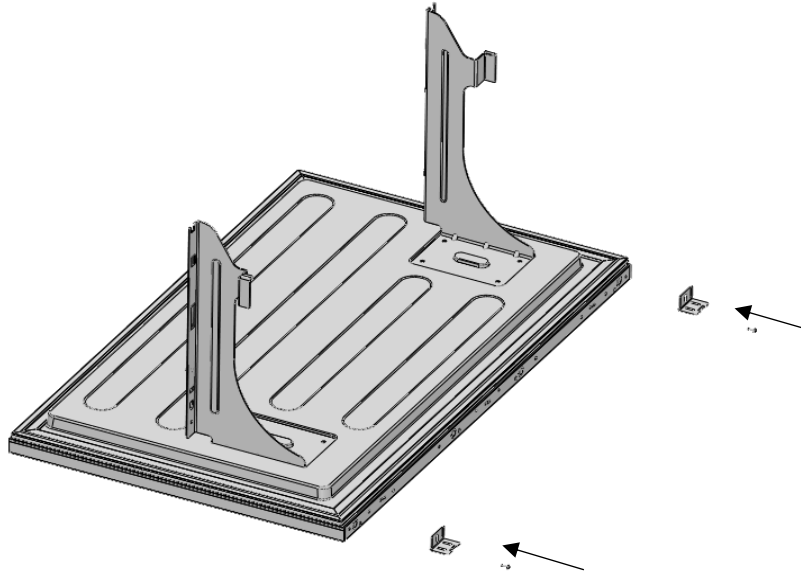
AIN7600/AINT7600IW
AIN9000/AINT9000IW

 **WARNING:**

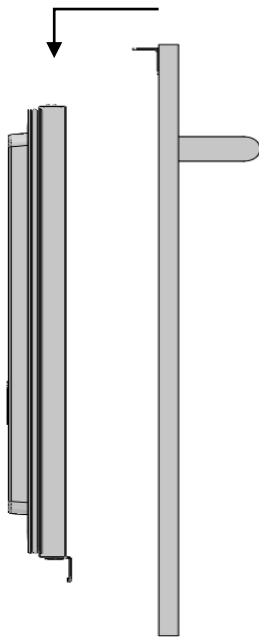
There is a magnet on the cover door hanger bracket upper.
This is a functional part for the operation of the product.
It should not be confused with the lower cover.

INSTALLING THE FREEZING FURNITURE DOOR

- Attach door-door furniture connecting bracket (Item No16) on the door lower part with screw door fixing bracket (Item No15)

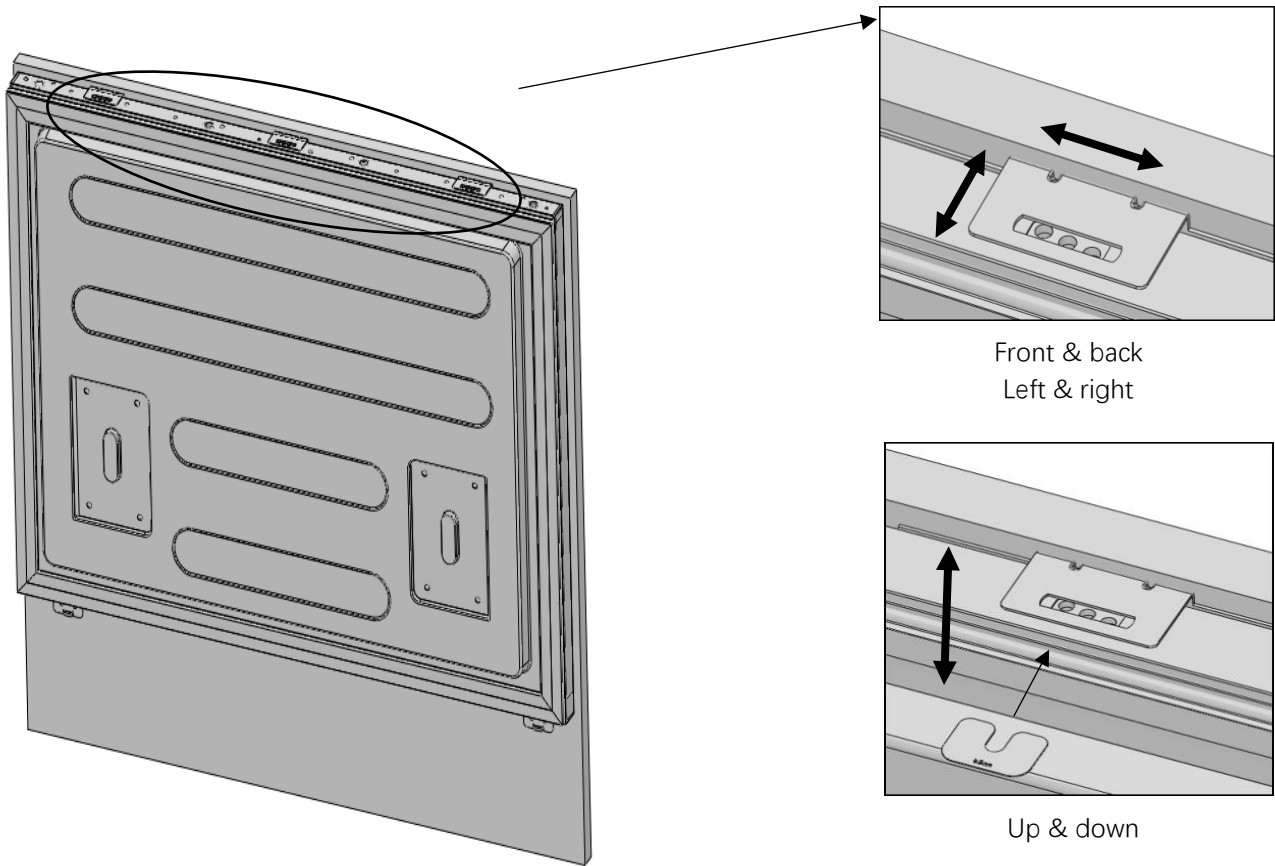


- Attach the furniture

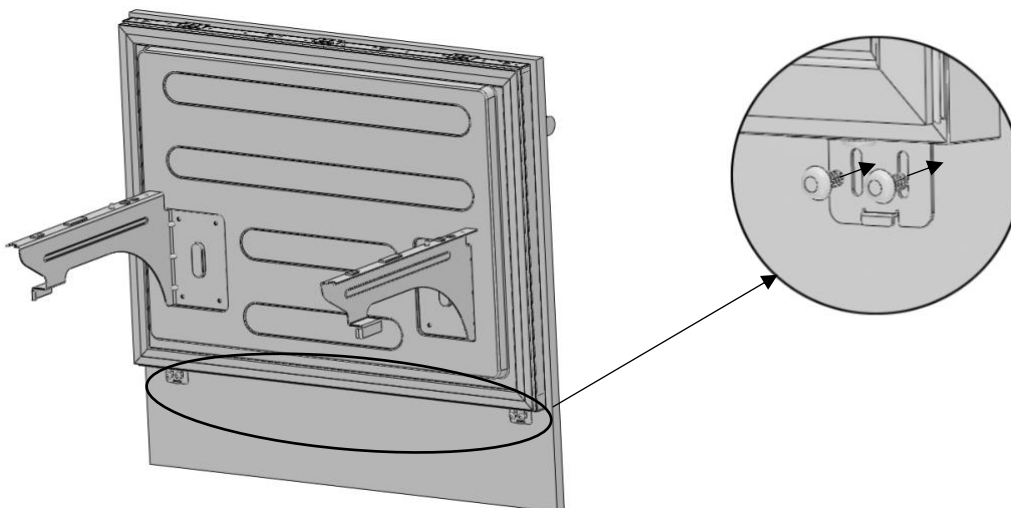


- **How to align the freezing furniture door lower part**

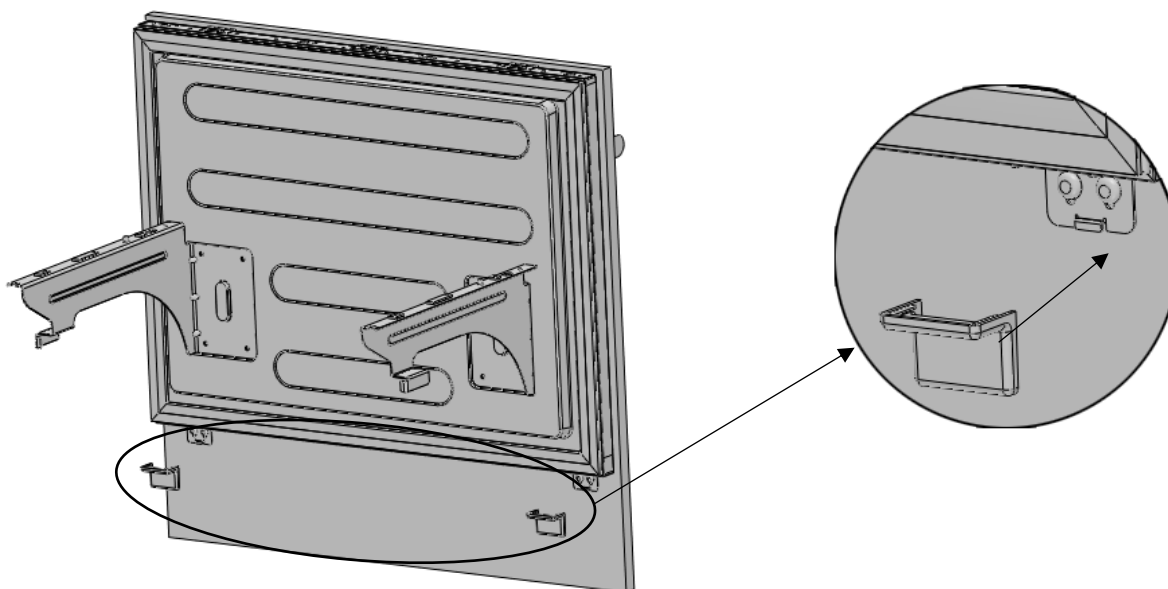
- How to align the furniture door upper part with screw freezer door hanger bracket (Item No8).



- Use the door-door furniture connecting bracket (Item No16) to join the furniture door
- Use 2screws (Item No17) to fix on the furniture door.



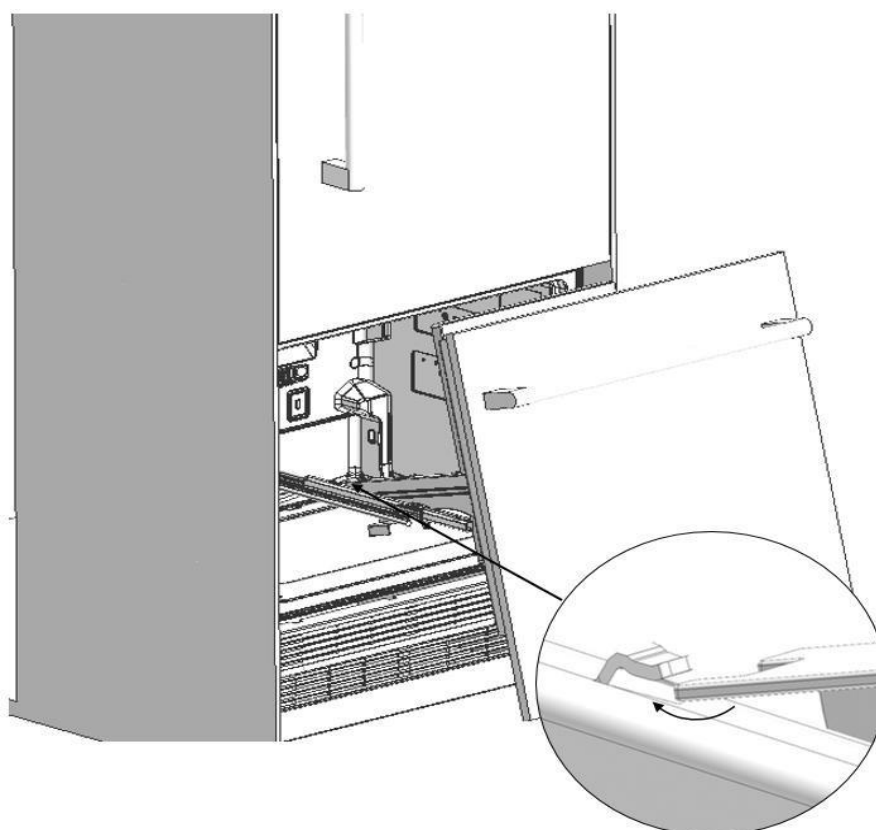
- Clip the cover furniture door bracket (Item No14).



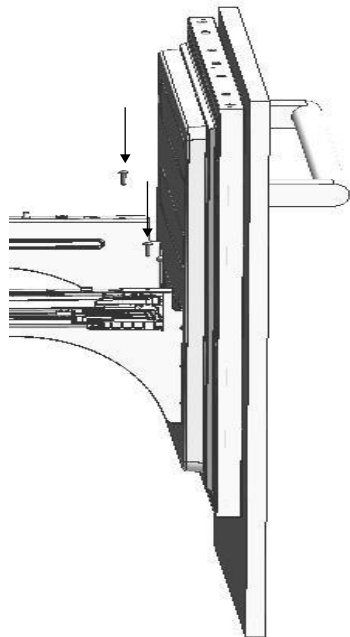
! WARNING:

You must keep these parts for future use. You will need them if you want to change the door directions.

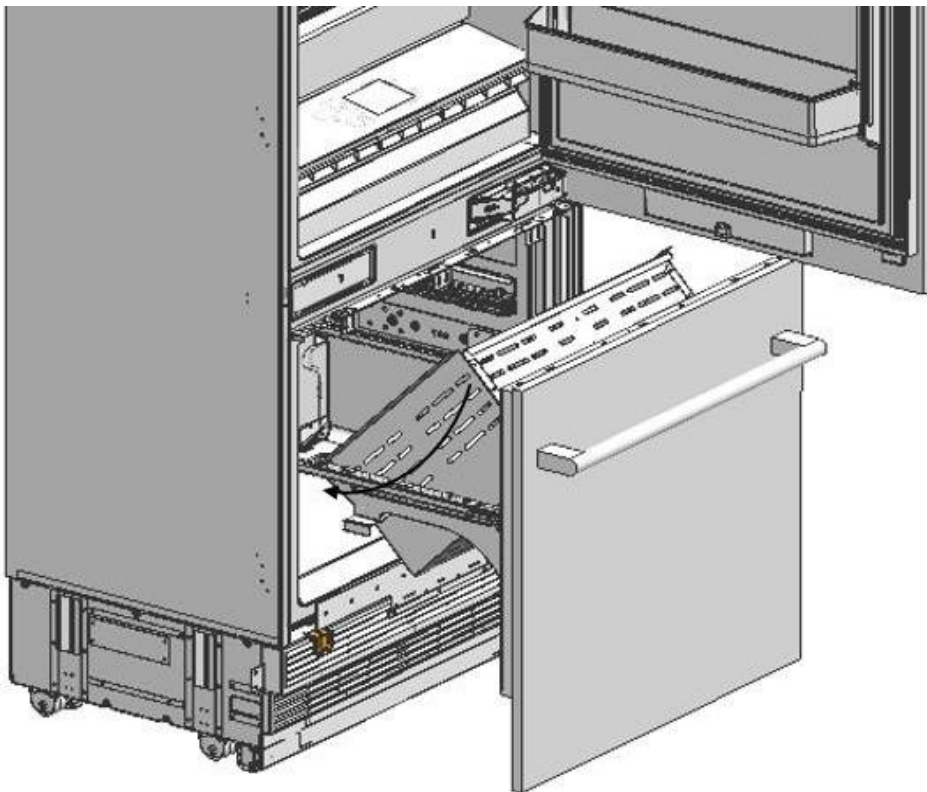
- Install the Freezer Furniture door assembly onto the rails.

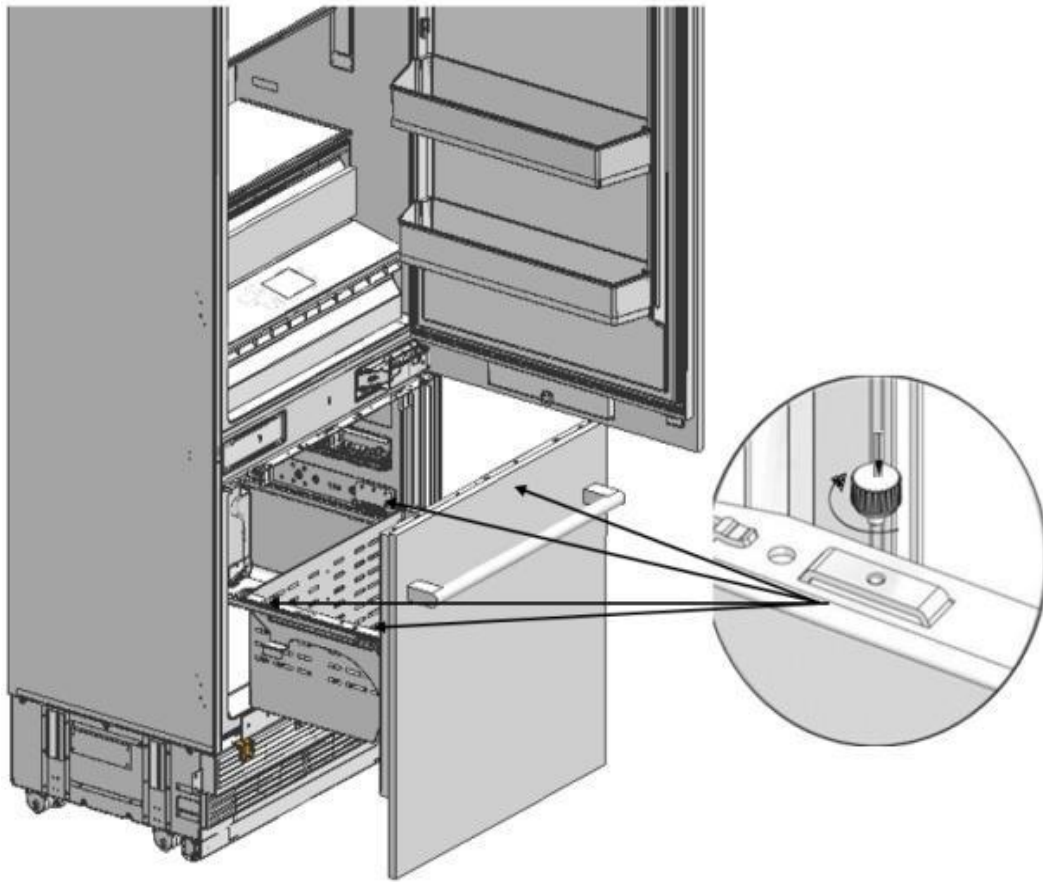


- Fix the Freezer Furniture door assembly onto the rails with 2 screws.

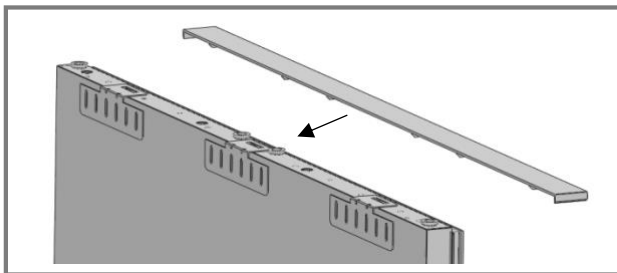


- Locate the drawer onto the rail and tighten the screws



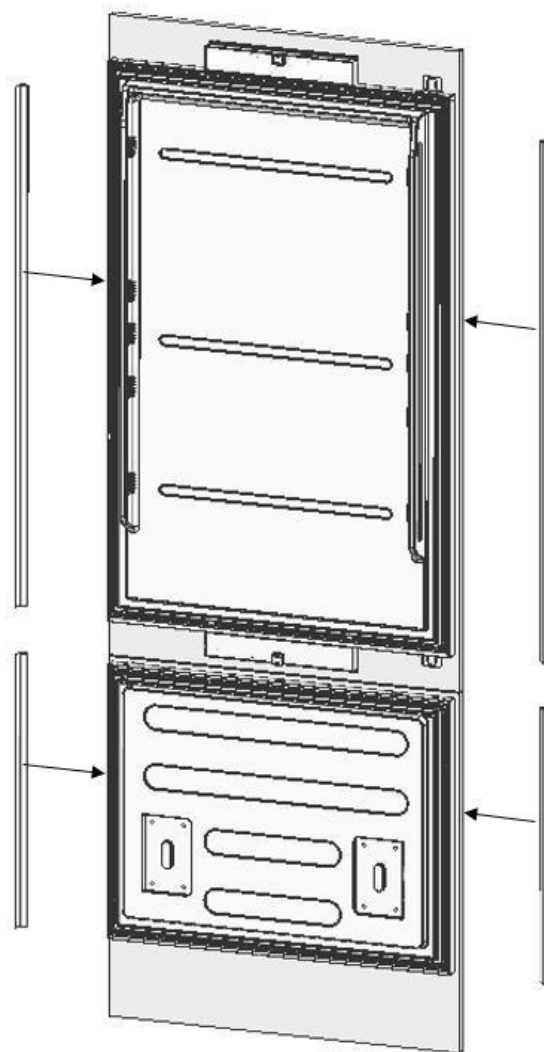
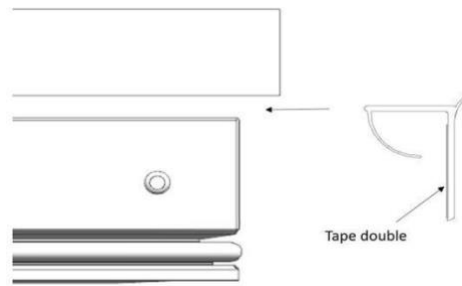


- Attach the cover freezing door top (Item No5) using the tabs.



- Attach the Trim door side (Item No2,3)

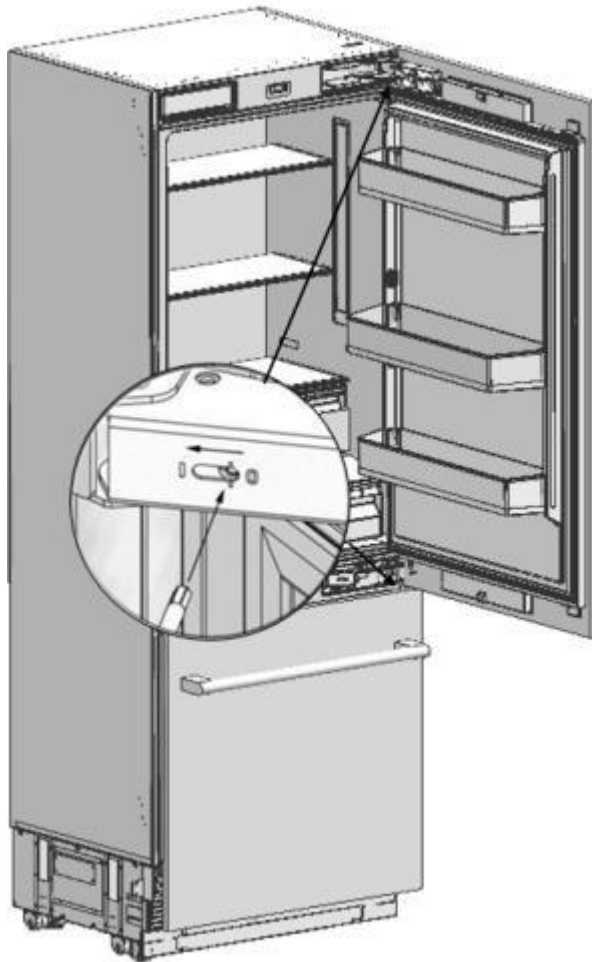
The backing paper of the double-sided tape should be removed before attaching the parts.



HINGE ADJUSTMENT

Adjusting the hardness of the hinges

- Use a drill to adjust the hardness of the upper and lower hinges of the fridge door.
Set the hinge adjustment screw to position "I" from position "O".



WARNING:

The door must be fully open during this adjustment.

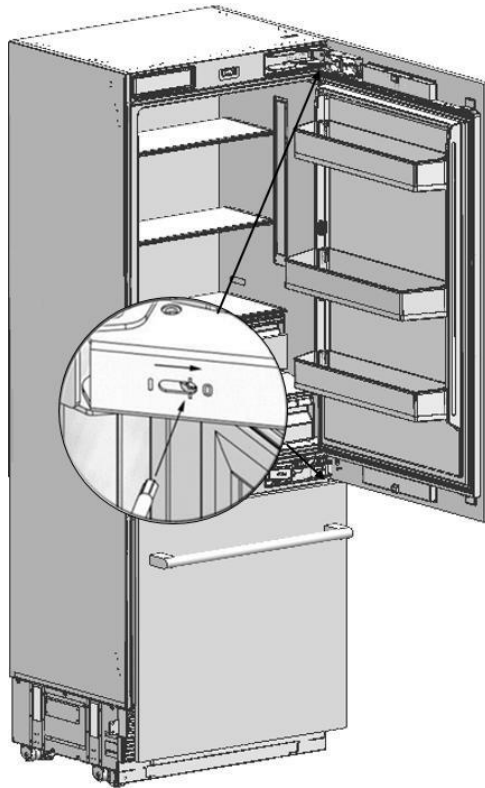
WARNING:

This adjustment must definitely be performed after the door has been adjusted.

CHANGING DIRECTION OF THE FRIDGE DOOR

Removing the fridge furniture door

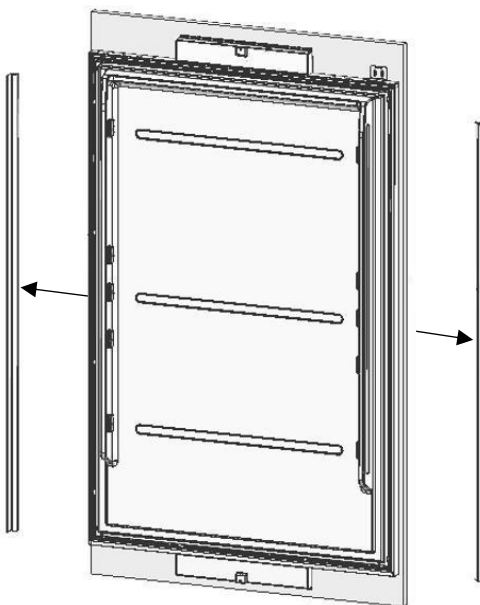
- Set the hardness level of the hinge to "0".



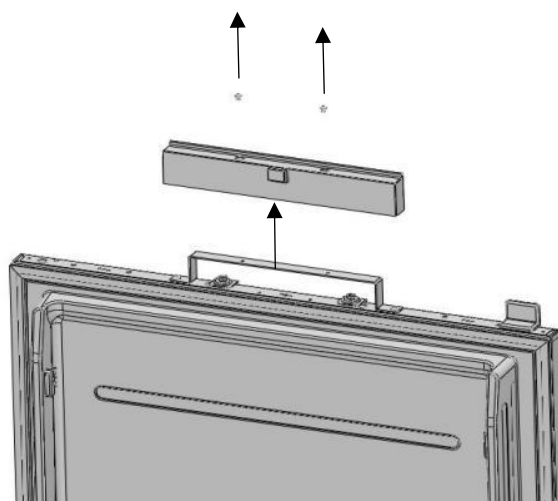
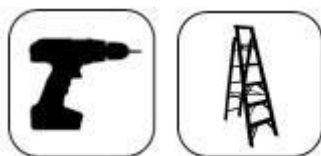
ATTENTION:

Failure to set the hinge to "0" and continuing the installation like that may cause injury.

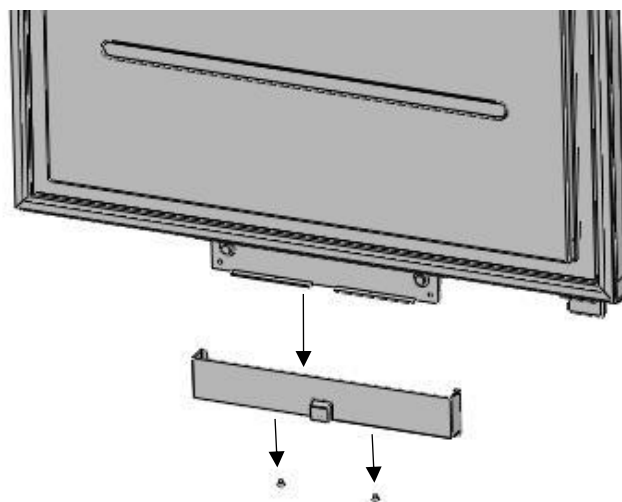
- Remove the trim fridge furniture side



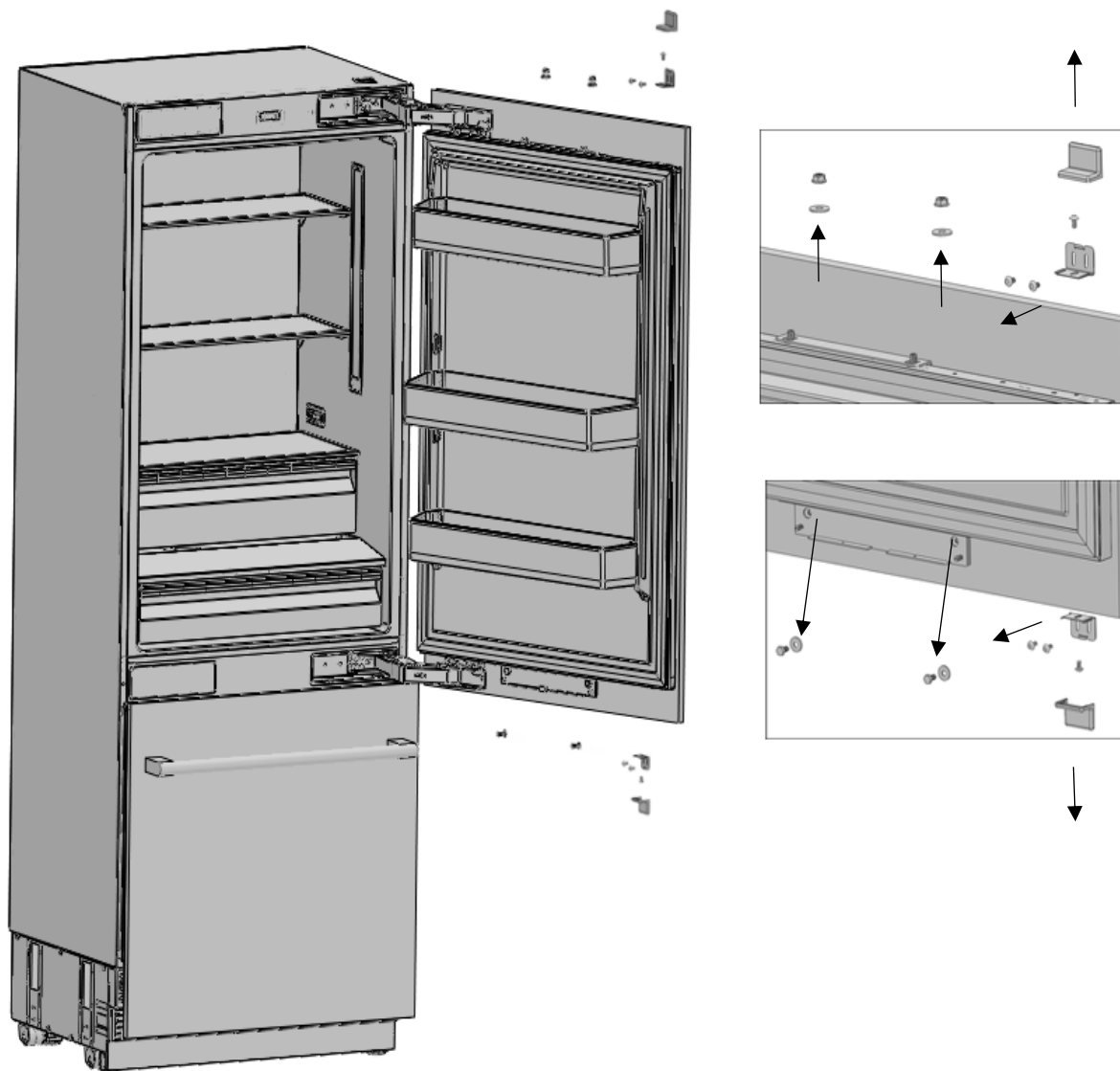
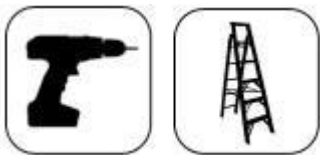
- Loosen 2 screws of the upper cover of the fridge door and remove it.
- Remove the upper adjustment kits



- Loosen 2 screws of the lower cover of the fridge door and remove it.



- Remove fridge lower and upper bracket and fixing screws.



AIN7600/AINT7600IW
AIN9000/AINT9000IW



WARNING:

The clad door will be released when these screws are removed.

You must take measures to prevent the door from falling.

You can tape the Furniture Door to the Inner Door or ask for help from another person.

- Take the Fridge Furniture Door and lay it down on a table upside down.
- You must attach the Furniture Door by rotating it 180° based on its current position.

Removing and preparing the Fridge Inner Door

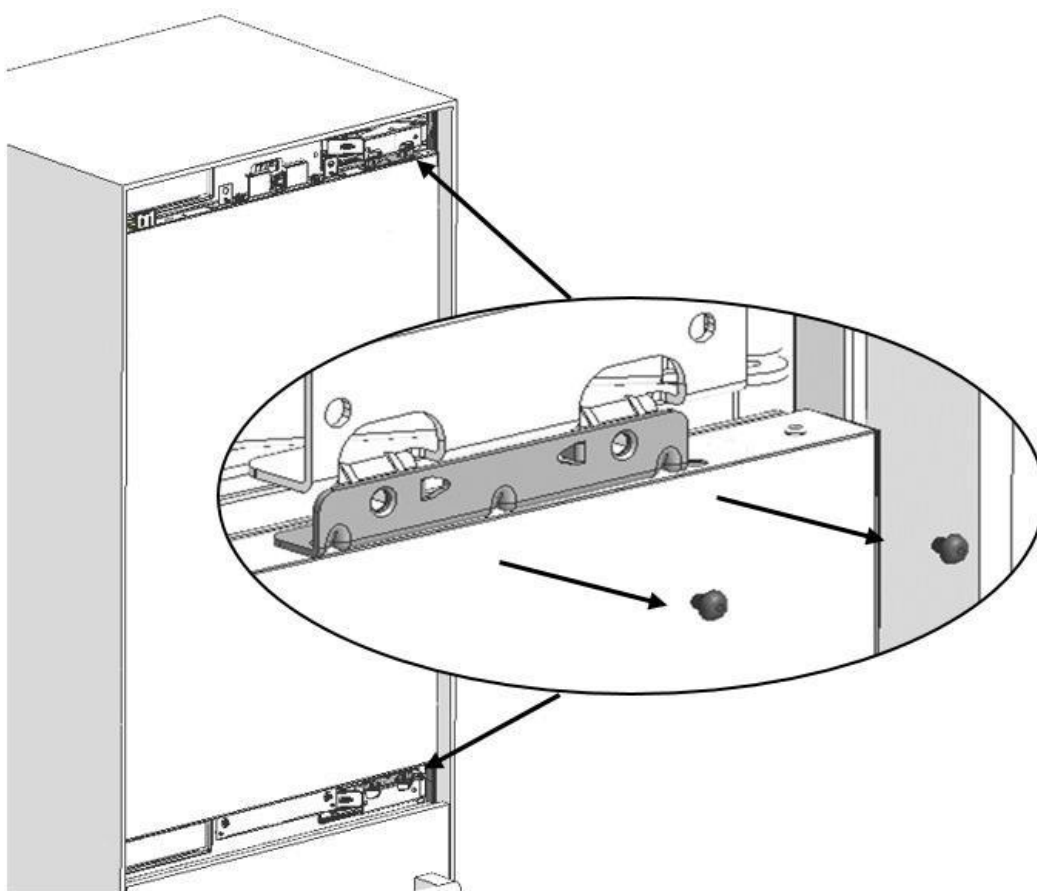
- Remove the hinge connection screws of the Hinge Brackets.



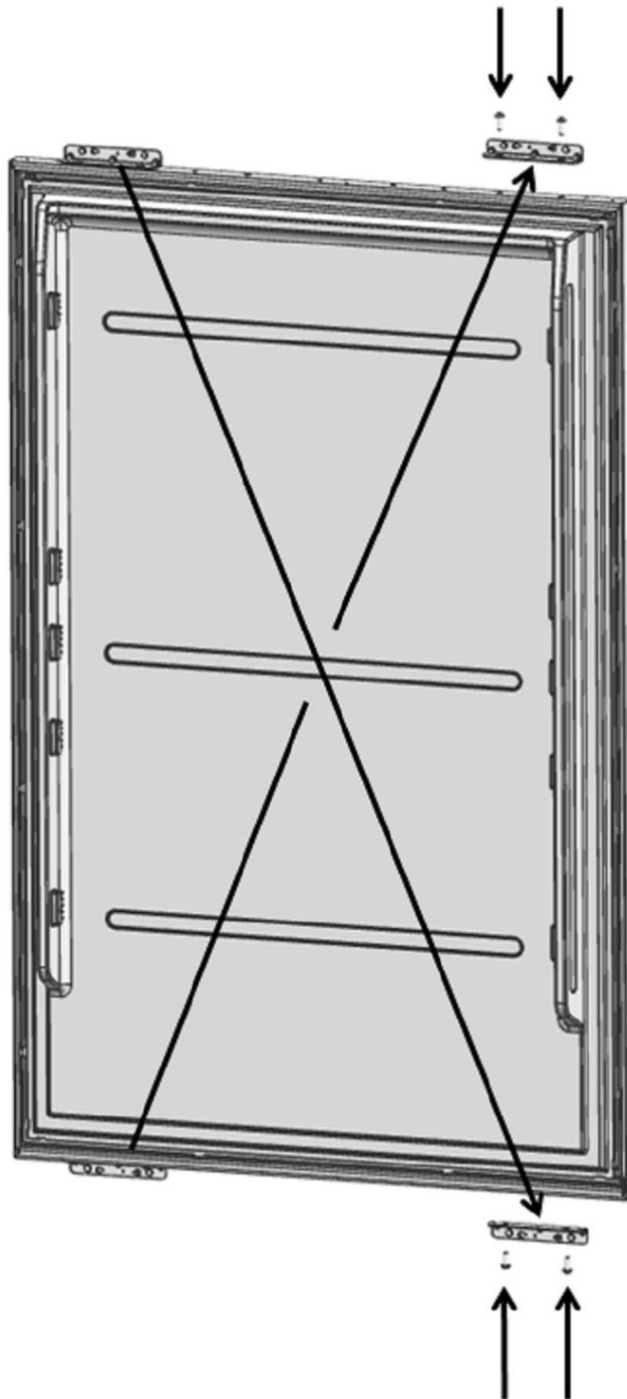
ATTENTION:

The clad door will be released when these screws are removed. You must take measures to prevent the door from falling.

You can tape the Furniture Door to the Inner Door or ask for help from another person.

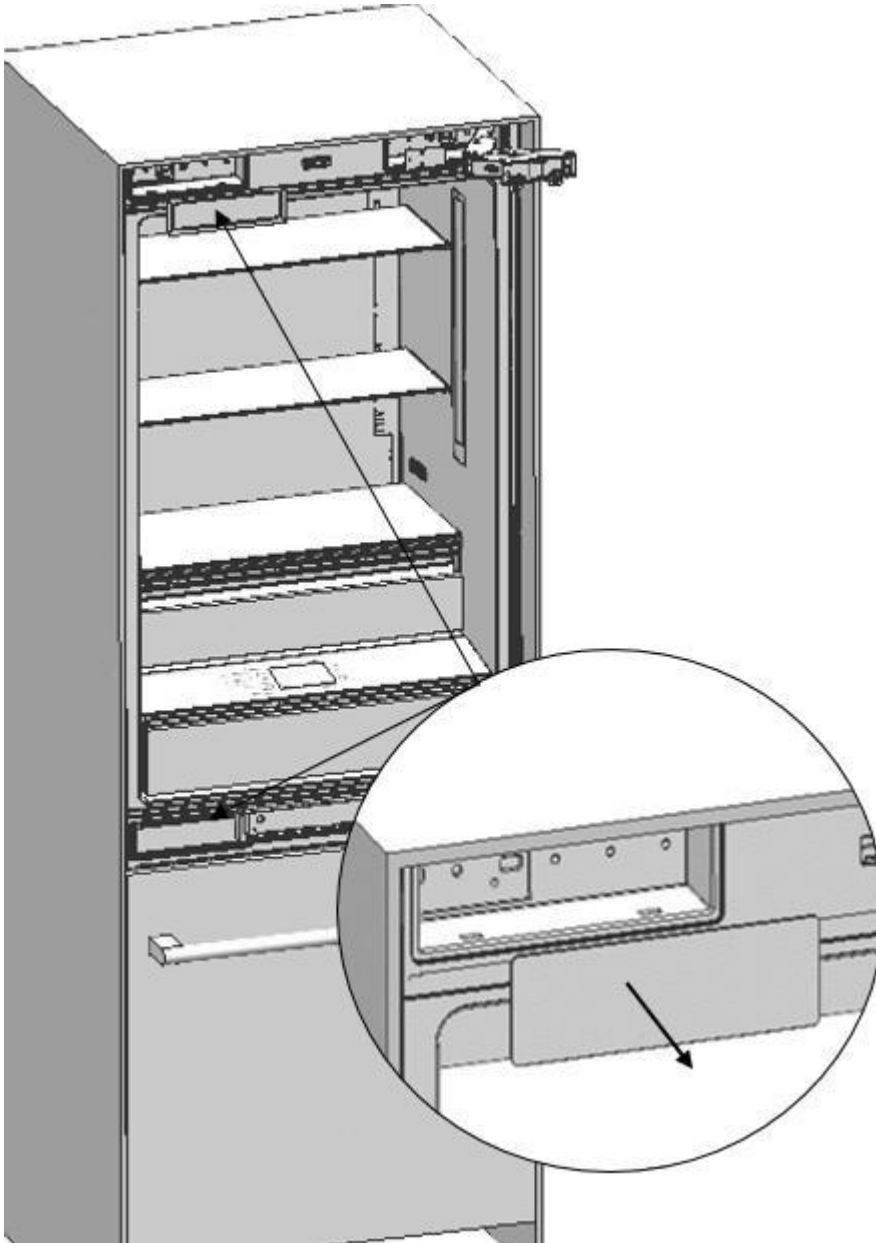


- Take out the fridge door and lay it down on a table remove the fixing parts and screw them to the opposite side of the door as shown figure.

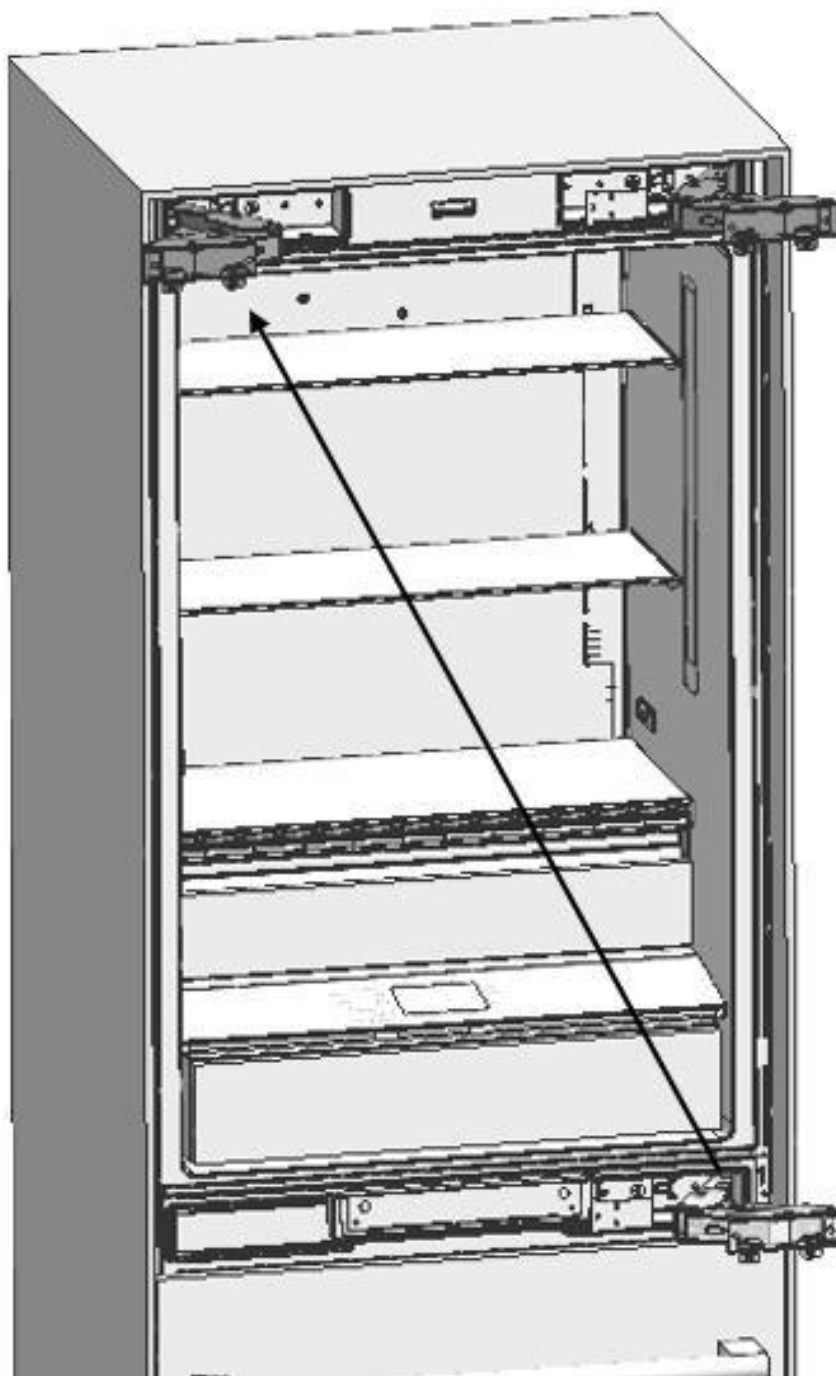
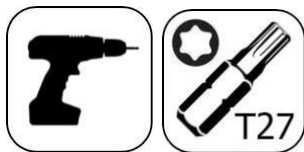


Replacing the hinges

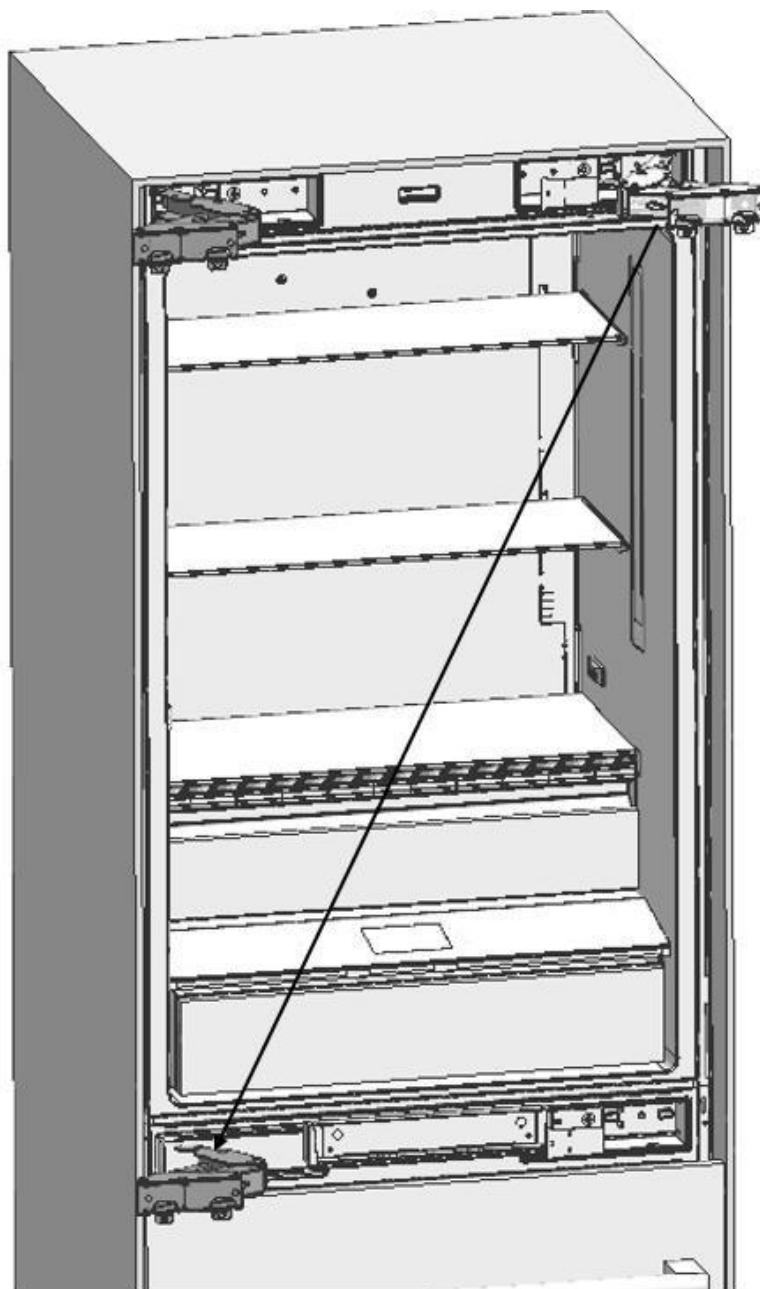
- Remove the Hinge Caps located at the other side where you will fix the hinges.



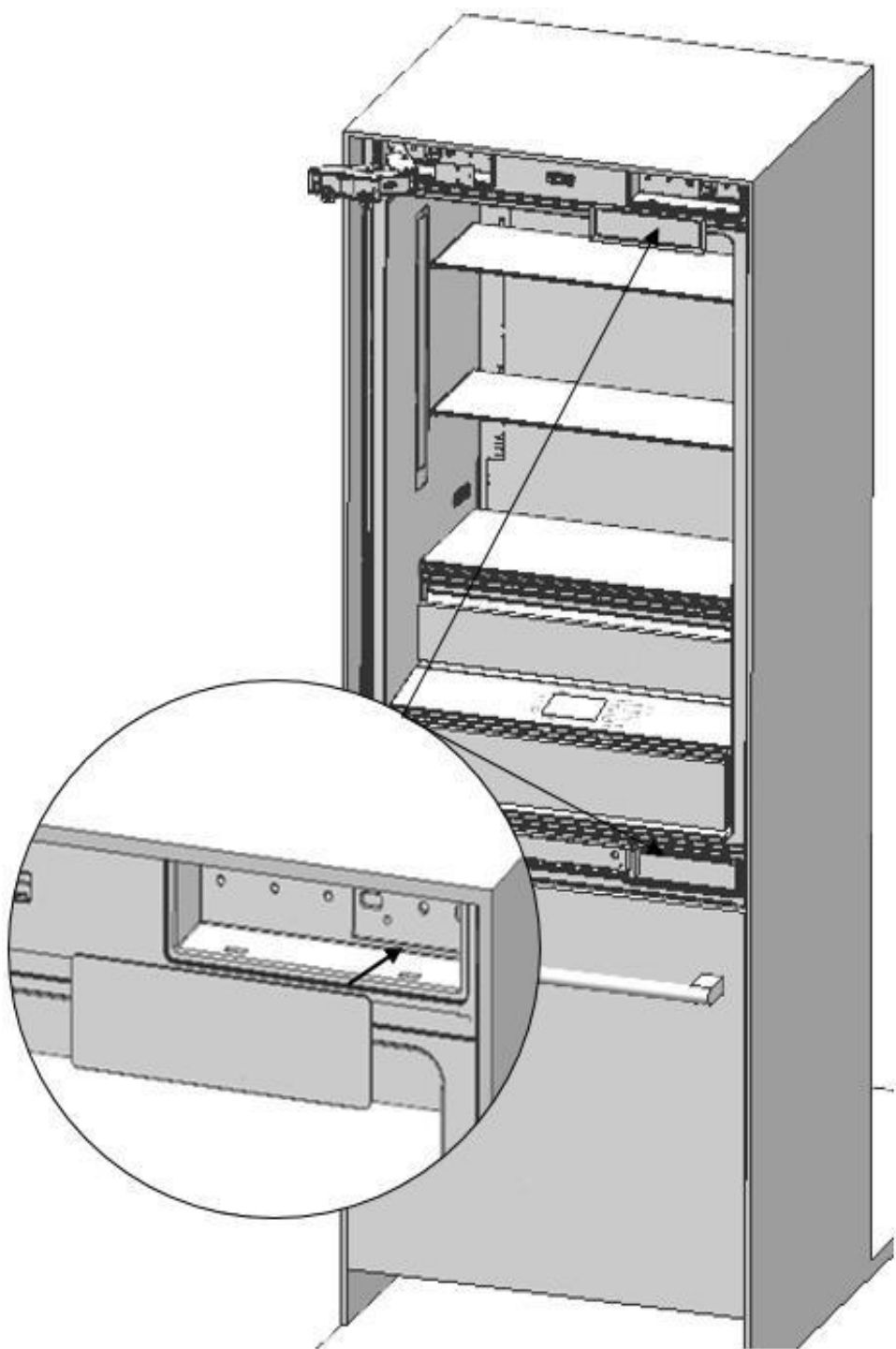
- Remove the lower right hinge by loosening its 2 screws and fix it to its slot at the upper left side.



- Remove the upper right hinge by loosening its 2 screws and fix it to its slot at the lower Left side

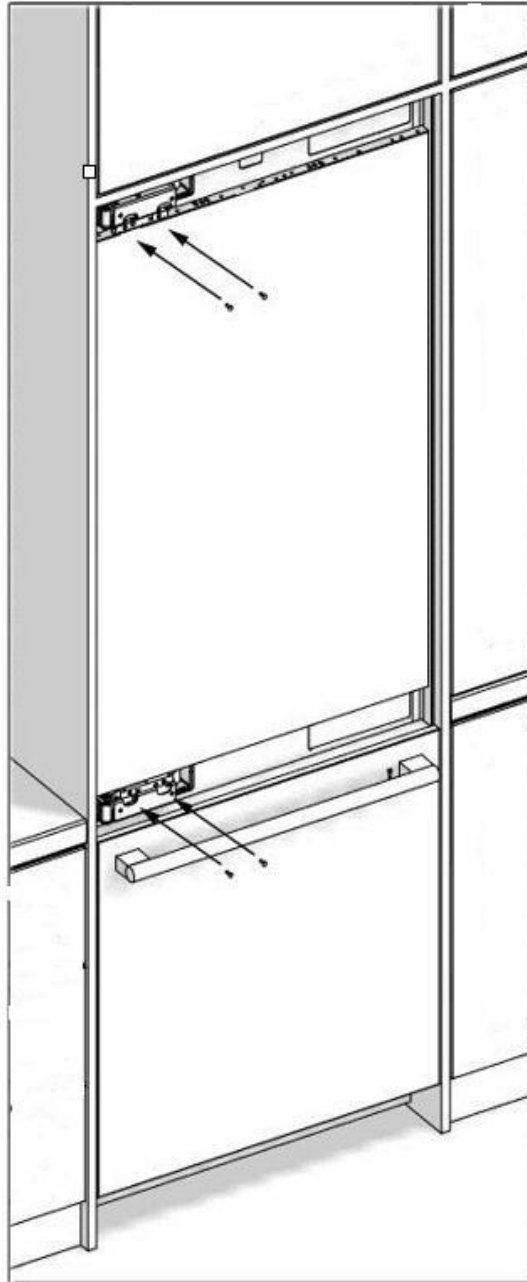


- Attach the Hinge Slot Caps removed from the left side to the Hinge Caps at the right side.



Installing the Fridge Door

- Place the Fridge Door to the refrigerator and fix it with 4 screws.



INSTALLATION DUAL CABIN

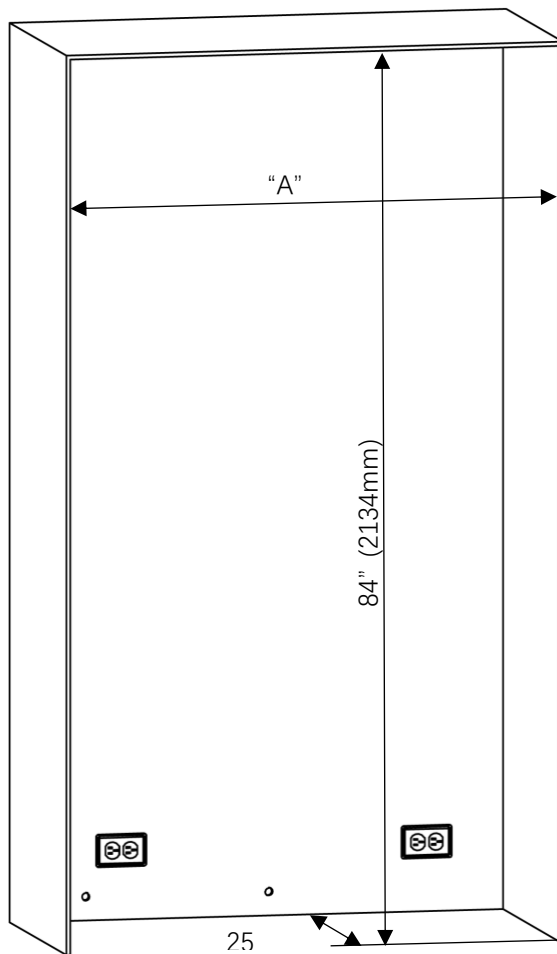
If you are going to make a dual cabin installation, you must definitely demand "Dual Cabin Installation Kit" from the authorized service.

The instructions below have been prepared according to Built-in type.

Built-in: The Appliance and Panels fully seat into the gap, and a material that can be their own box is jammed between the two kitchen cabinets or decorative columns. This is the most common installation scenario.

Cabin Dimensions

Cabin dimensions below must be checked before starting the installation.



√ Dual cabin dimension

Category	76+76	76+90	90+90
"A" Dimension	60" (1524mm)	66" (1676mm)	72" (1828mm)

Location of the Electrical Wiring

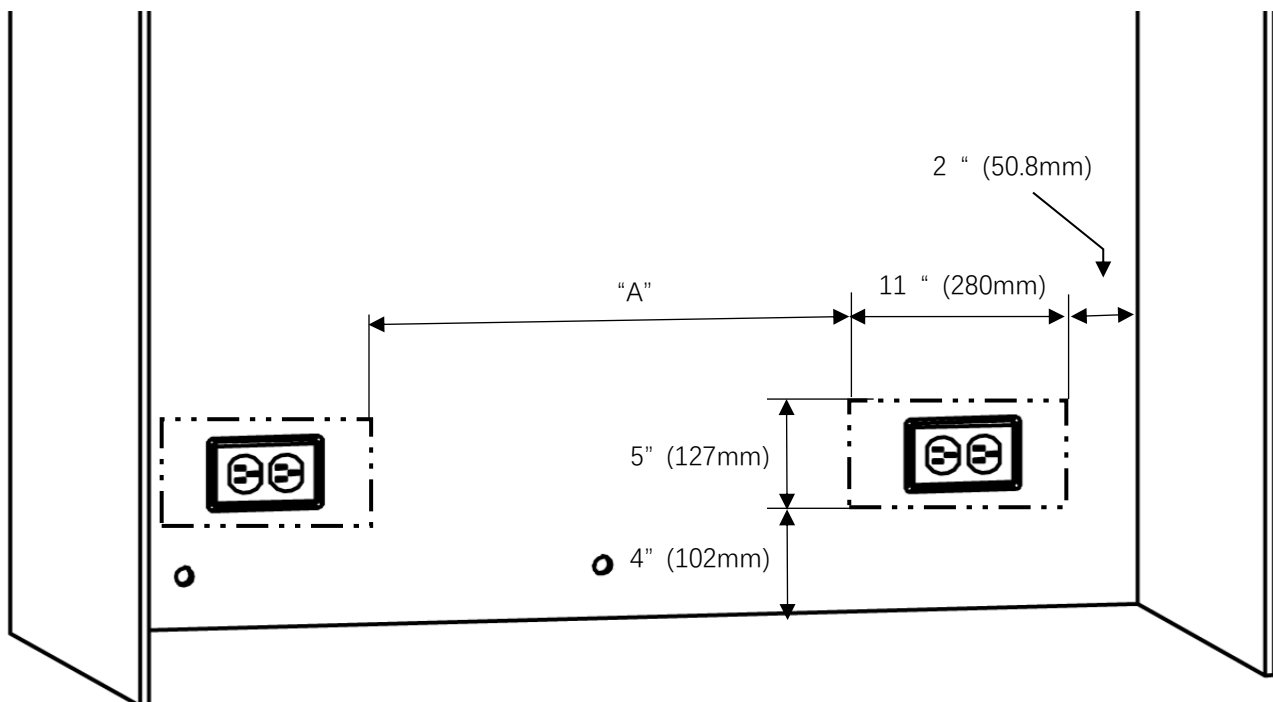
Location of the electrical wiring must be within the range given below.

⚠ ATTENTION:

Do not use extension cables or two-pin adaptors and do not remove the ground terminal of the grounding cable.

⚠ ATTENTION:

A qualified electrician must ensure that the poles of the socket are connected correctly. Verify that the grounding of the socket is correct.



Category	76+76	76+90	90+90
"A" Dimension	19 1/8" (485mm)	25 1/16" (637mm)	25 1/16" (637mm)

Location of the water system

The water connected to the water mains must be potable.

Location of the water system must be within the range given below.

Water system of the refrigerator must be connected to the water mains system in the house.

The user must be able to switch it on/off with the valve when necessary.

Objects that might pierce the water hoses or cause them to twist must not be present where the water line is installed.

Pressure of the water system must be between 25-80 psi (1.7-5.5 Bar).

If the water pressure exceeds 80 psi, install a pressure limiting device or water impact protector to the inlet valve.

Never install the product or operate the appliance if it is possible for the water pressure to exceed 120 psi.

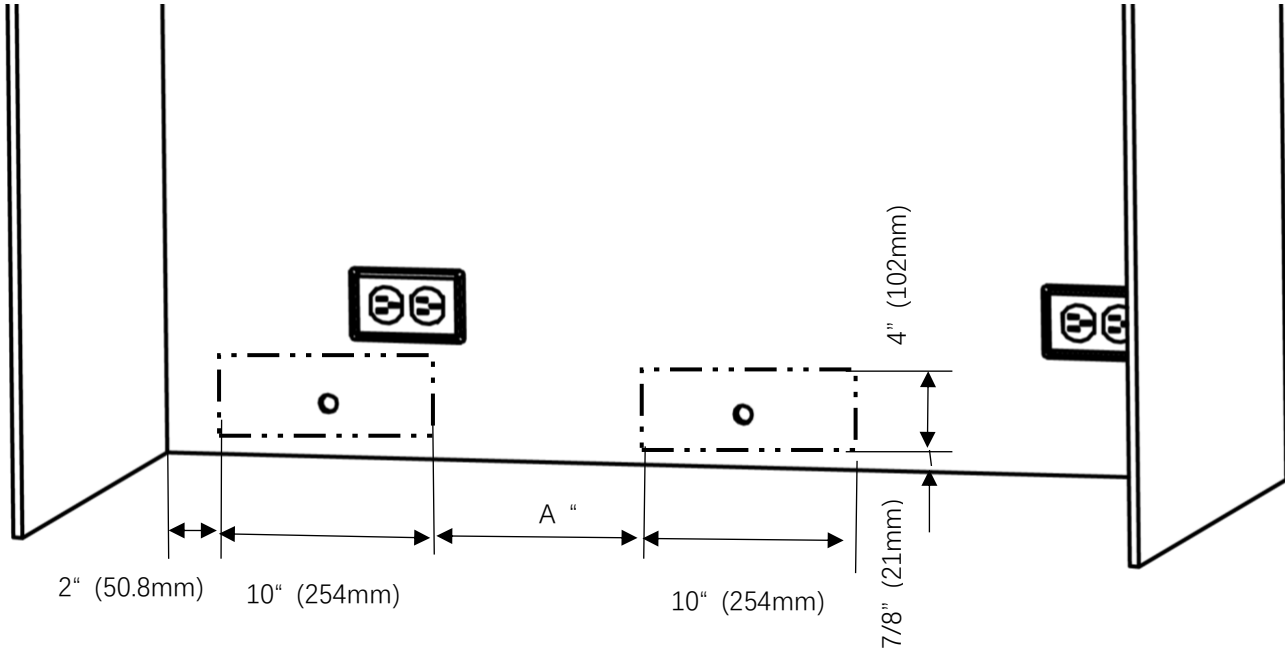
⚠ WARNING:

Make sure that there is no water leakage when making the water connections.

Otherwise, there will be water on the floor and the furniture will get damaged.

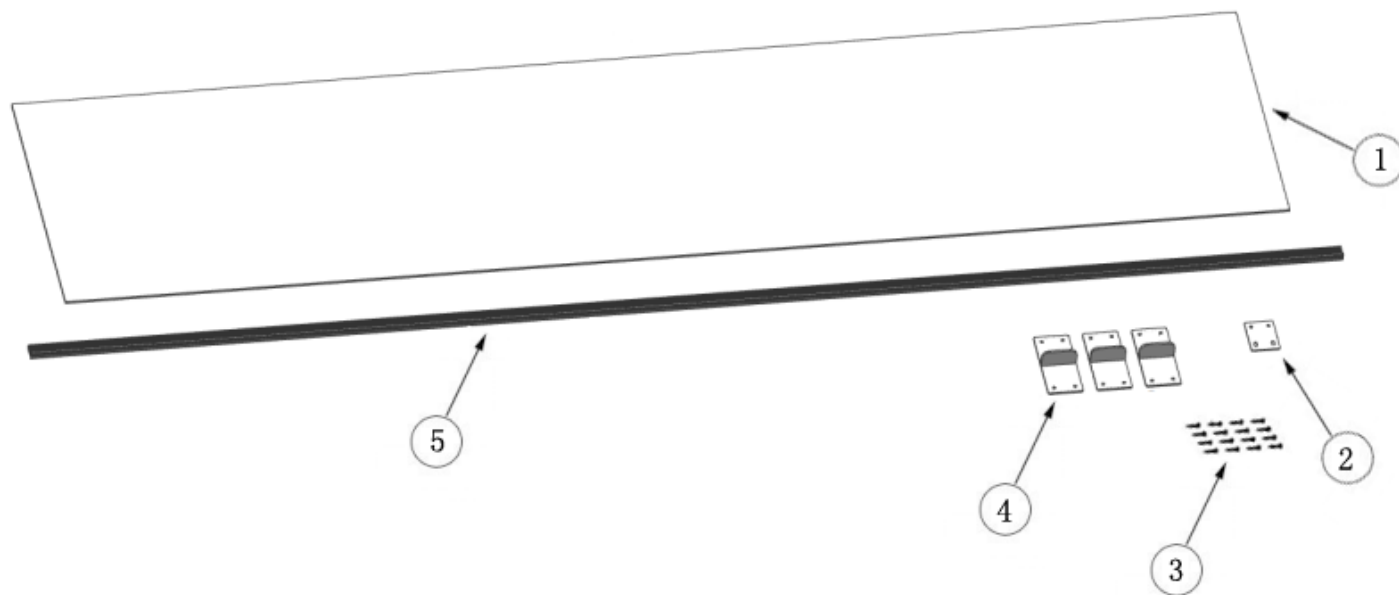
You will need a hose with a minimum length of 60" (1.5 meters) and a diameter of ¼" for water connections of the product during installation.

A connector that has a thread with an external diameter of ¼" must be used to connect the hose end to the product. Before completing the installation, make sure that water flows and there is no water leakage.



Category	76+76	76+90	90+90
"A" Dimension	20" (508mm)	20" (508mm)	26" (660mm)

Mounting Part list

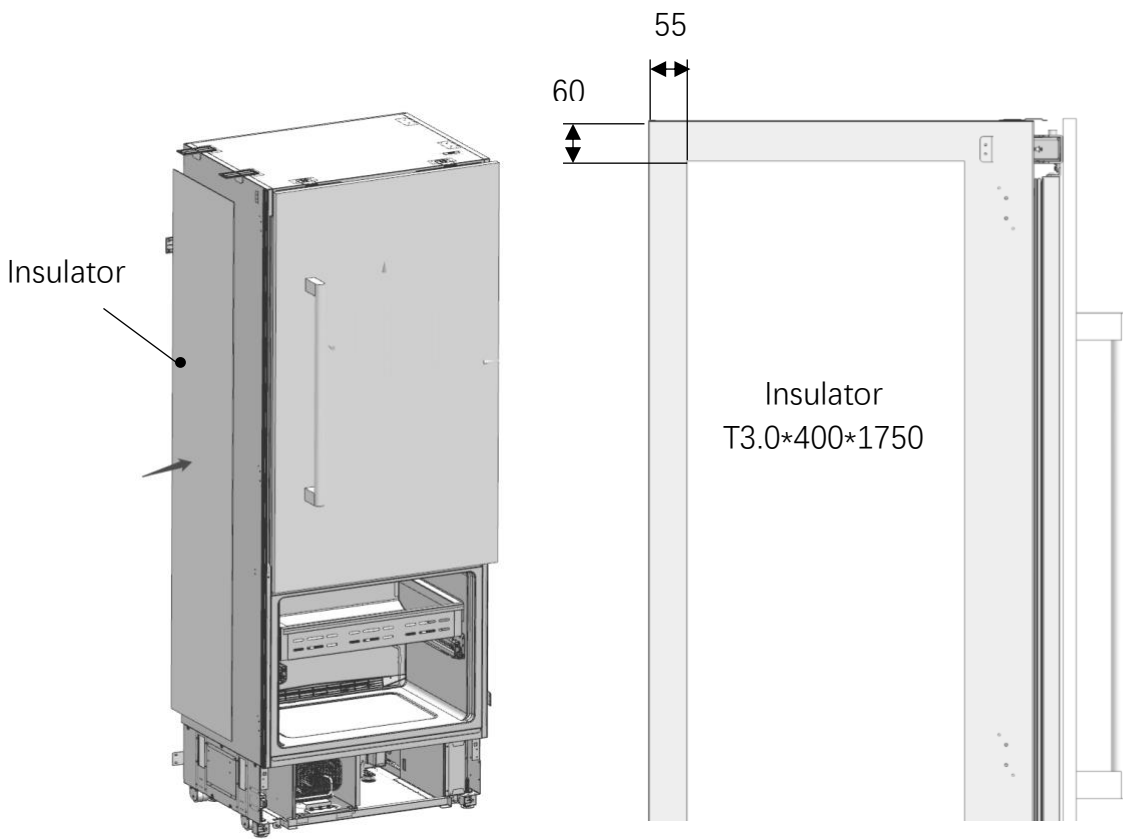


No	Part name	Spec	Q'ty	Remark
1	Insulation sponge	Sponge, gray, T3.0*400*1750	1	
2	Connecting bracket	T2.0, Cr+zn-coating	2	
3	Truss washer head	M4*12	16	
4	Fastener	POM	3	
5	Trim furniture middle	PVC extrusion L=1876	1	



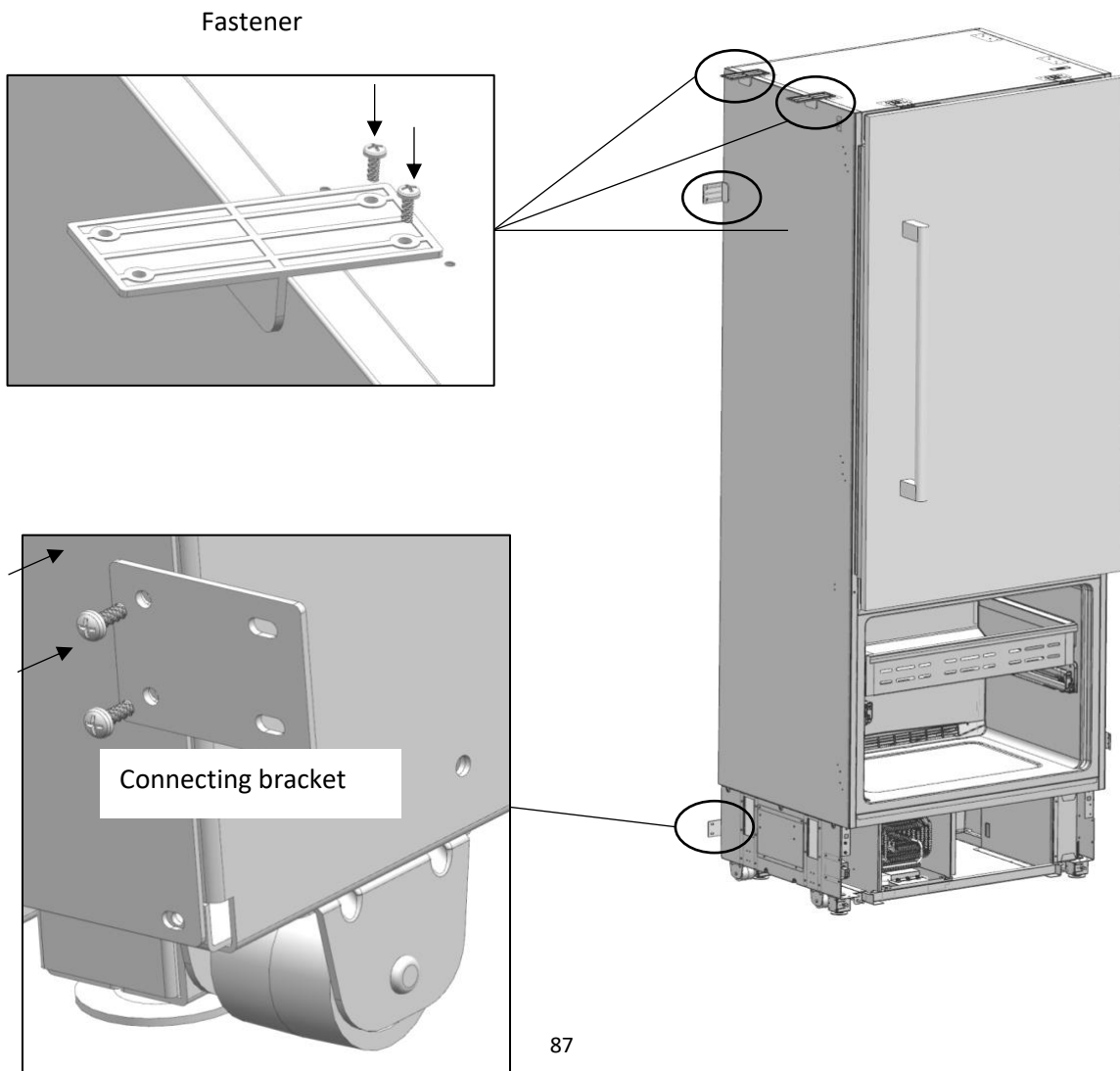
Truss washer head screw
 Spec : M4x12
 Fixing Refrigerator
 Such as cabinet and door
 (press part)

Stick the Insulation Sponge (Item No1) to the side panel so that the sponge remains in between two cabins.



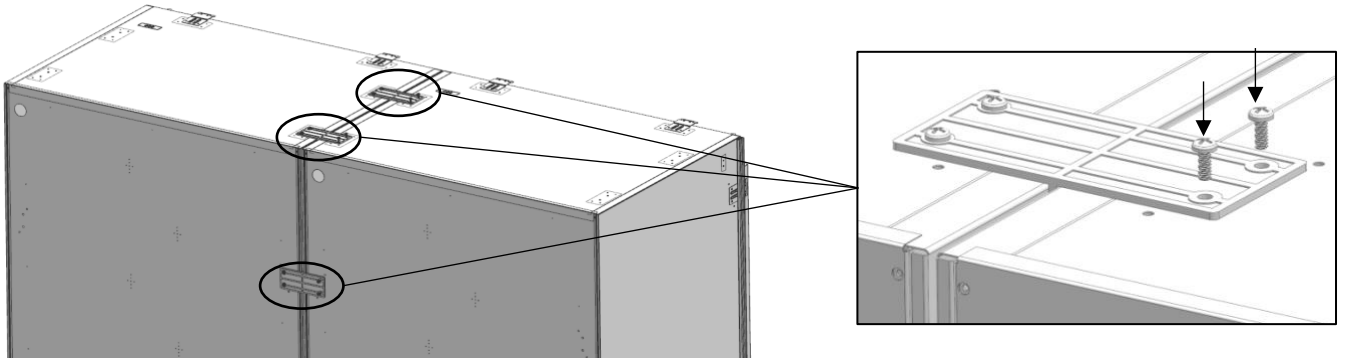
Attaching the fasteners and connecting bracket

Screw the connecting bracket (Item No2) and fasteners (Item No4) that are going to connect two refrigerators together.

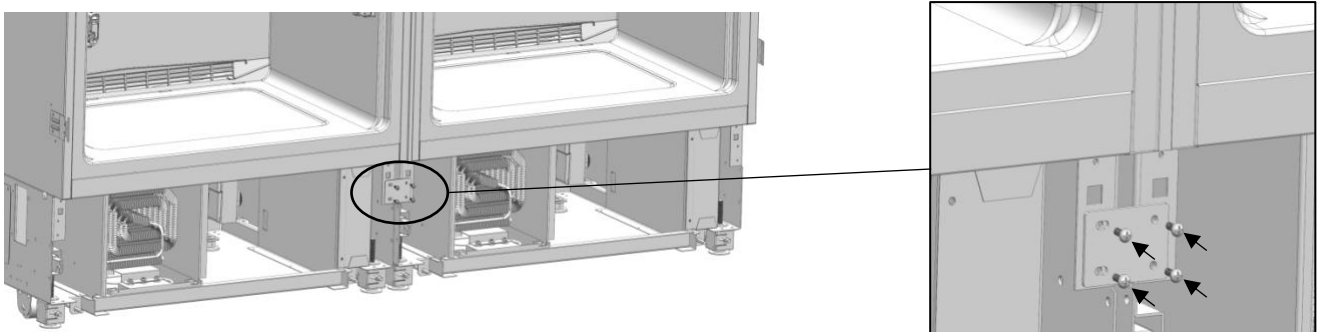
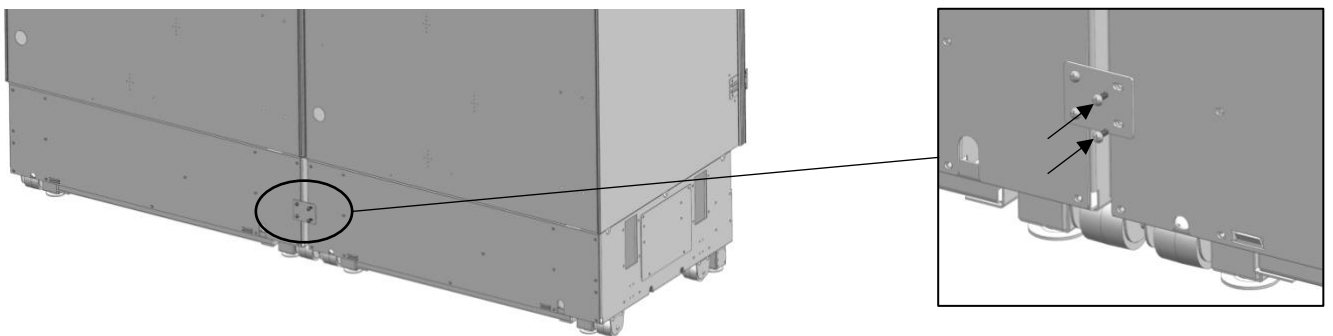


Make power and water connections of the refrigerator as explained before.

After making sure that they are in alignment Screw the upper brackets to the other refrigerator.

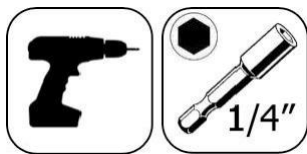


After making sure that they are in alignment screw the lower brackets to the other refrigerator.

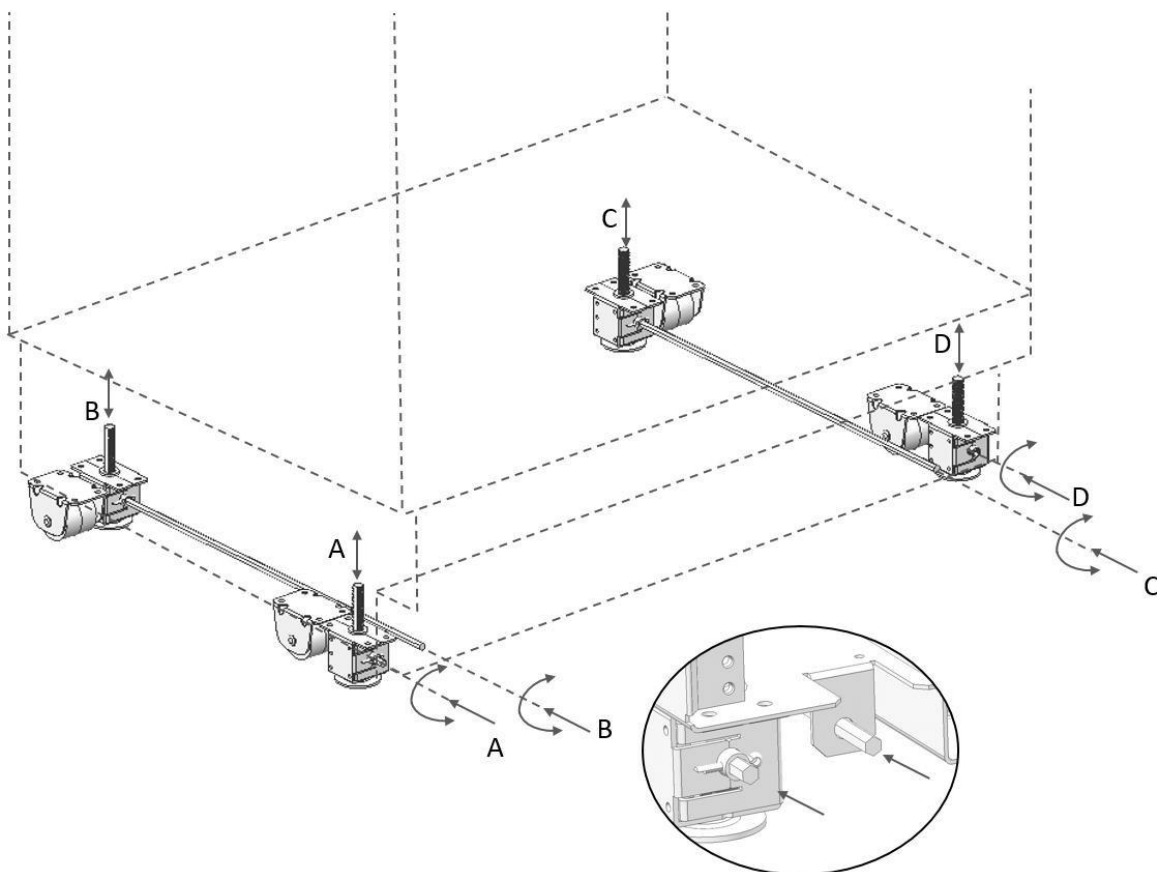


Adjusting the height of the refrigerator in the cabin

Adjust the refrigerator height using the adjustable feet.



 **WARNING:**



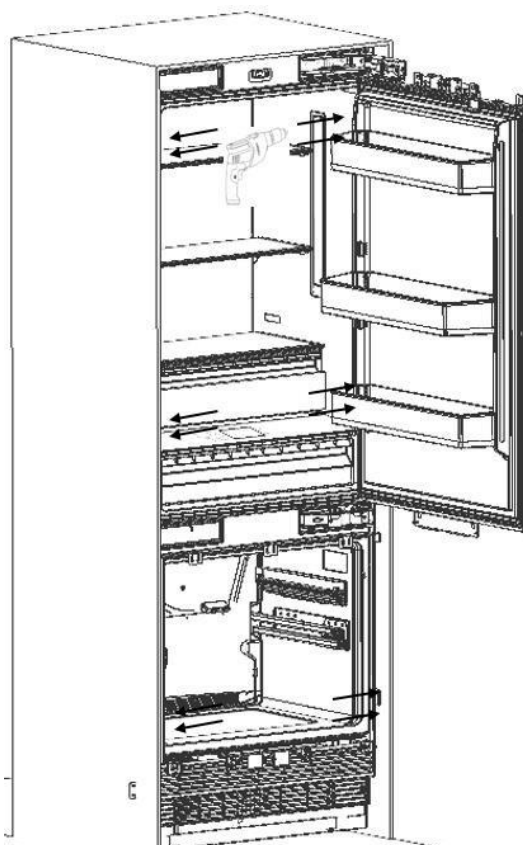
First of all, raise the front feet to reduce the risk of the cabin falling forward.

A/D – Turn the key clockwise to lift the front

B/C – Turn the key clockwise to lift the rear

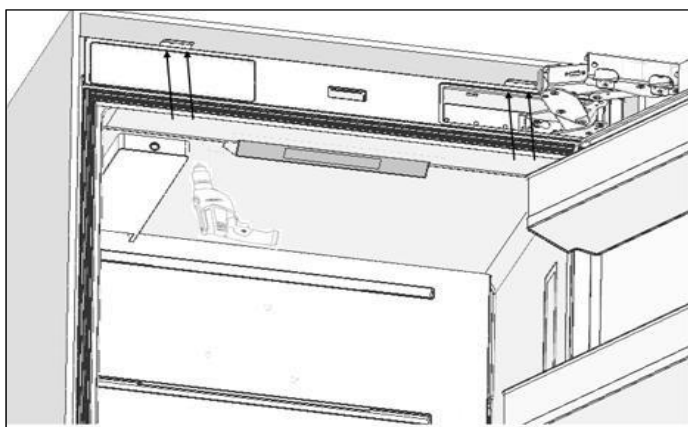
Screwing the bracket furniture on the cabin side wall

Attach the cabinet- cabin connecting bracket to the furniture with 12screws.



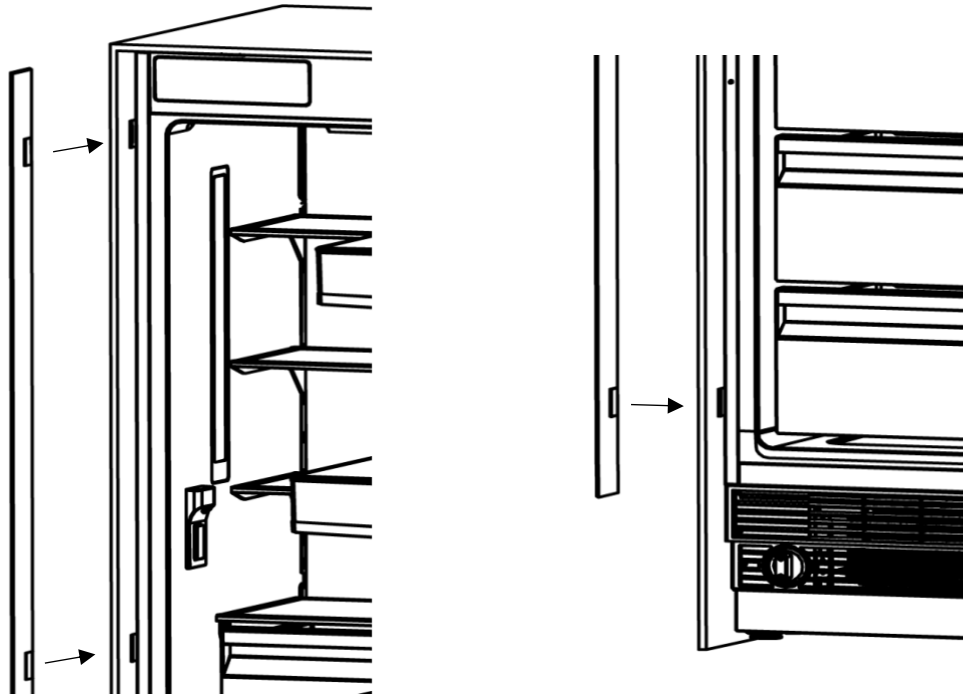
Screwing the bracket furniture on the cabin top wall

- Attach the cabinet- cabin connecting bracket to the furniture with 4screws.

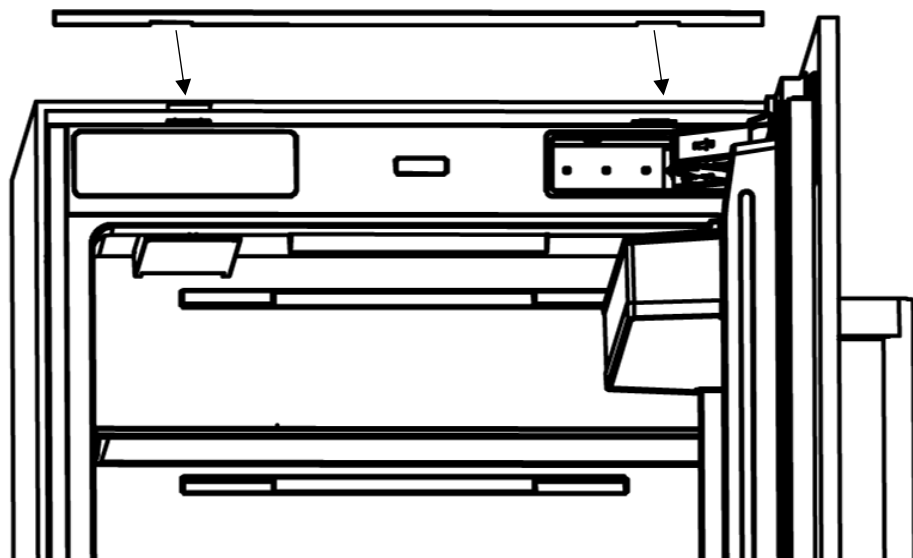


Attaching the decorative parts

Attach the trim furniture side onto the Cabinet- cabin connecting bracket.



Attach to the trim furniture top onto the Cabinet- cabin connecting bracket.



Attach the trim furniture middle (Item No5) between two refrigerators.

