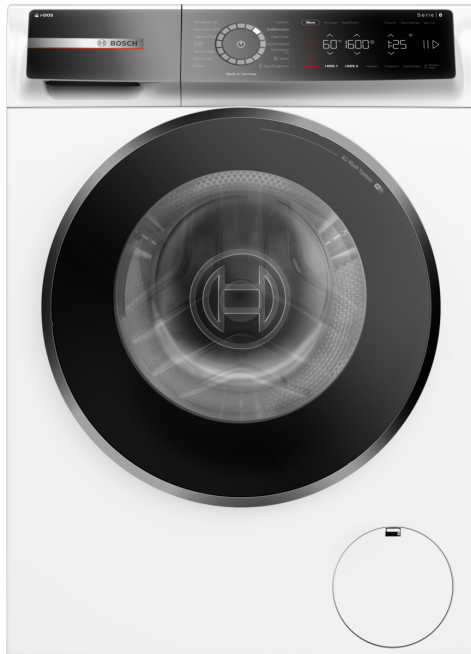


**Series 8, washing machine, front loader, 10 kg, 1600 rpm  
WGB256A1AU**



**A highly advanced washing machine with i-Dos and detergent scan powered by Home Connect saves water and detergent and reduces your ironing pile with Iron Assist.**

- **10kg Vario Drum:** enough space for big loads or large items
- **Iron Assist:** reduce wrinkles up to 50%.
- **Mini Load – Single item programme.**
- **Active Water Plus:** For highly efficient use of water even with smaller loads thanks to automatic load detection.
- **Anti Stain:** reliably removes 16 different stubborn stains without any additional pre-treatment.

---

|                                      |                |
|--------------------------------------|----------------|
| Maximum capacity in kg : .....       | 10.0 kg        |
| Built-in / Free-standing: .....      | Free-standing  |
| Dimensions of the product: .....     | 845x598x590 mm |
| Net weight: .....                    | 82.8 kg        |
| Connection rating: .....             | 2300 W         |
| Fuse protection: .....               | 10 A           |
| Voltage: .....                       | 220-240 V      |
| Frequency: .....                     | 50 Hz          |
| Length electrical supply cord: ..... | 160.0 cm       |
| Door hinge: .....                    | Left           |
| Wheels: .....                        | No             |
| EAN code: .....                      | 4242005414772  |
| Installation typology: .....         | Free-standing  |

---



- 
- WMZ2200 Floor securing component
  - WMZ2381 Extension for cold water inlet /Aquastop
  - WMZPW20W Platform with pull-out, washer, cubic

## Series 8, washing machine, front loader, 10 kg, 1600 rpm WGB256A1AU

### A highly advanced washing machine with i-Dos and detergent scan powered by Home Connect saves water and detergent and reduces your ironing pile with Iron Assist.

#### Capacity

- Capacity: 10 kg

#### Consumption rates

- 5 Star Energy Rating
- Energy consumption 250 kWh per year, based on Cottons Eco, 60°C, program at 1600 RPM seven times per week. When tested in accordance with AS/NZS 2040.2. Actual energy use and running costs will depend on how you use the appliance.
- 5 Star Water rating (WELS)
- Water consumption 75 l litres per wash, using the Cottons Eco, 60°C, program at 1600 RPM. In accordance with AS/NZS 6400. Actual water consumption will depend on how the appliance is used. C02321.

#### Design

- Elegant and ergonomically inclined control panel for easy use
- LED interior drum light bathes the inside of the drum in a brilliant white light when opened

#### Programs

- Standard programs:
  - Cottons: hard-wearing items made from cotton, linen or blended fabrics Cotton Eco: energy-saving program Easy care: items made from synthetic or blended fabrics Delicate/Silk: delicate, washable items made from silk, viscose and synthetics Wool: hand or machine washable items that are made from wool or contain wool
- Additional specialty programs:
  - App
  - Automatic: the degree of soiling and the type of fabric are automatically detected and the washing process is adapted Iron Assist - with added steam for wrinkle reduction Hygiene Plus Spin/Drain: spins and drains the water Mixed: lightly soiled items made from cotton, linen or blended fabrics Sportswear: sports and leisure items made from synthetic fibres, microfibre or fleece Rinse: rinses and then spins the laundry, and then drains the water Super 15'/30': short program for small lightly soiled items
  - TouchControl buttons include:
    - child lock
    - Prewash options for stubborn stains and heavily soiled garments Finish in (delayed start): delay the start of the program by up to 24 hours Single item Spin Speed: manually adjust the spin speed AntiStain: Selection options of Grass, Red Wine, Oil/Butter and Blood Start/Pause with Reload function: allows you to add a forgotten garment even after the wash cycle has started Temperature selection: manually adjust the temperature SpeedPerfect: reduce cleaning time by up to 65% Rinse Plus
    - Mini Load: Wash single items and small loads efficiently
    - programmes via app: Down, Shirts, Jeans/dark laundry

#### Performance

- Spin speed 400 - 1600 rpm

#### Features

- i-DOS: automatic dosing of liquid detergent and softener
- i-DOS 2.0, Self cleaning detergent drawer to remove detergent residue, From front
- Stain automatic - 6 stains at the touch of a button, 10 further stains via Home Connect
- Iron Assist: Steam programme that reduces wrinkles on dry clothes
- 4D Wash System: highly efficient and even water and detergent penetration for spotless results
- automatic programme: sensorcontrolled washing and dosage
- Home Connect: Remote Monitoring and Control, Energy Management, Remote Diagnostics, further programmes via download. Always keep your appliance up to date via firmware update.
- ActiveWater Plus: for highly efficient use of water even with small loads thanks to automatic load detection.
- Hygiene Plus: clean laundry and killing germs effectively
- Reload function to pause machine operation for adding in last minute laundry items
- VarioDrum: thorough yet gentle washing thanks to the unique drum structure design
- AntiVibration Side Panels reduce vibrations and noise levels, making it extremely quiet during the spin cycle
- Large porthole, black-chrome, black with 182° door for easy loading/unloading
- EcoSilence Drive: quiet, durable, and energy-efficient brushless motor (BLDC) with 10-year motor warranty
- Turbidity sensor
- Aqua Protection Plus anti-flood protection with self-sealing hose, minimises the risk of flooding
- Foam detection system to remove excessive foam
- Overdosage indication
- Unbalanced load detection
- Buzzer at the end of the programme
- Consumption Indication: Information about energy consumption

#### Technical Information

- Slide-under height of 85cm
- Dimensions (H x W x D): 84.5 cm x 59.8 cm x 59.0 cm (64.8 cm including door handle)
- Operating noise level (based on Cotton 60°C program): wash 46 / 75 spin dB(A)

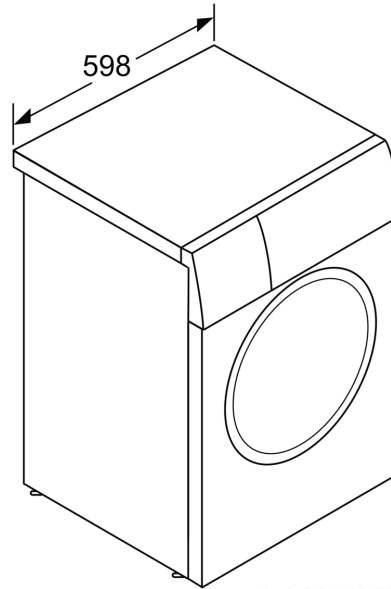
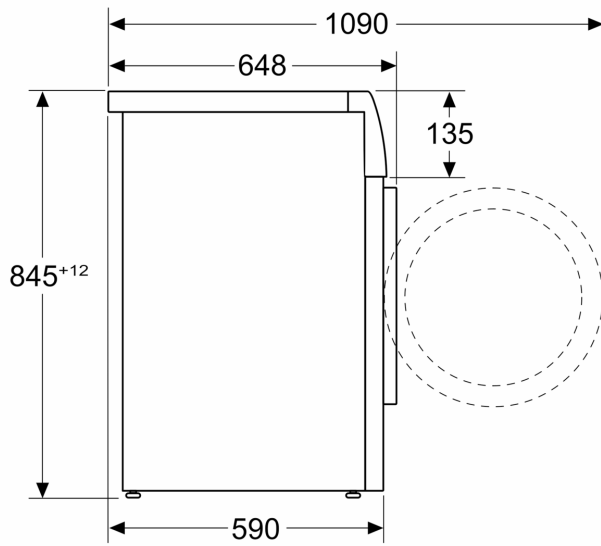
#### Display Screen & Alerts

#### Safety

- Child lock for door and buttons

**Series 8, washing machine, front  
loader, 10 kg, 1600 rpm  
WGB256A1AU**

Measurements in mm



measurements in mm