

C91MN2
90CM CLASSIC FREESTANDING COOKER

MADE IN ITALY
Since 1948



THERMOSEAL

The seal of Smeg's quality, technical excellence and taste: succulent roasts, crisp pastry and impressive baking is achieved in Smeg's unique, perfectly controlled cooking environment. Thermoseal maintains the perfect atmospheric balance in the cavity for optimum cooking conditions.

EVER CLEAN ENAMEL

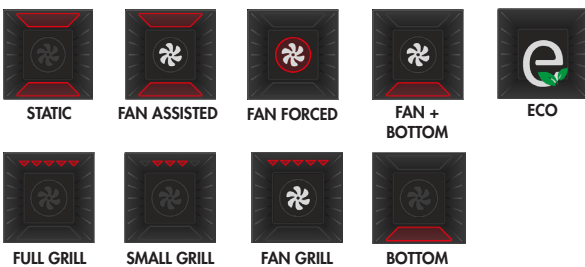
The superior quality of Smeg's patented Ever Clean enamel, which is highly durable and easy to clean, is the result of nearly 70 years of enameling expertise; ensuring long-life performance of every Smeg oven.

TEMPERATURE PROBE

Cook like a professional. The temperature probe measures the internal temperature of your food for precise cooking results.



NINE TRADITIONAL COOKING FUNCTIONS:



LARGE FORMAT COOKING

A huge 126L capacity with five shelf positions is ideal for cooking several dishes at once. Plus, the 90cm cooktop boasts five induction cook zones so you can have multiple pans on the go at once.



OTHER FUNCTIONS:



PERFECTLY COMPLEMENTS CLASSIC MATTE BLACK

Matches well with Classic Black range for a complete matte black solution. Premium quality appliances with superior technology and beautiful style.

C91MN2
90CM CLASSIC FREESTANDING COOKER

MADE IN ITALY
Since 1948

EAN	8017709336233
Dimensions	900mmW x 900mmH x 600mmD (excluding handle) (refer to technical drawing)
Finish	Full Matte Black Eclipse high visibility black glass
Installation	Freestanding
Display	Electronic Touch Clock
Power	220-240V, 50/60Hz 10600W 46A Connection
Warranty	Two years parts and labour

MAIN OVEN FEATURES

Capacity	126L
Cooking functions	9
Other functions	2
Door	Triple glazed
Shelf positions	5
Thermostat	50° C - 260° C
Cooking with probe	Yes
Cleaning	Vapour Clean
Lighting	2 x 40W Halogen
Safety	Thermal protection system
Fans	2
Timer	End of cooking acoustic alarm Timer

INDUCTION HOB FEATURES

Capacity	5 zones
	Front left: Multizone - 2.10 kW - Booster 2.30 kW - 21.0x19.0 cm
	Rear left: Multizone - 1.60 kW - Booster 1.85 kW - 21.0x19.0 cm
	Central: Single - 2.30 kW - Booster 3.00 kW - Ø 27.0 cm
	Rear right: Single - 1.20 kW - Booster 1.40 kW - Ø 18.0 cm
	Front right: Single - 2.30 kW - Booster 3.00 kW - Ø 21.0 cm
Safety	Automatic switch when overheat Residual heat indicator
Features	Automatic pan detection Multizone

INCLUDED ACCESSORIES

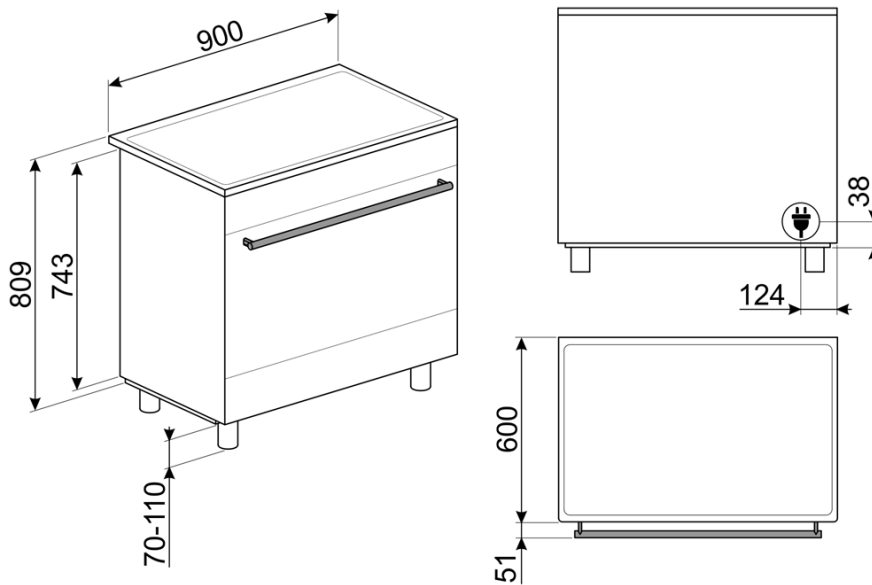
- 1 x Chrome grill insert
- 1 x Chrome shelf
- 1 x 20mm enamelled baking tray
- 1 x 40mm enamelled baking tray
- 1 x Temperature probe

OPTIONAL ACCESSORIES

- GTP - Partial telescopic guides
- GTT - Full telescopic guides
- PPR9 - Pizza stone

C91MN2
90CM CLASSIC FREESTANDING COOKER

MADE IN ITALY
Since 1948



Dimensions	900mmW x 900mmH x 600mmD (excluding handle) (refer to technical drawing)
Power	220-240V, 50/60Hz 10600W 46A Connection
Warranty	Two years parts and labour

PLEASE NOTE: drawings are not to scale. They are to assist only.

WARNING: technical specifications and product sizes can be varied by the manufacturer without notice.

Cutouts for appliances should only be by physical product measurements. The above information is indicative only.