

**Serie | 8, washing machine, front loader, 10 kg, 1600 rpm
WAX32K41AU**



**i-DOS washing machine with Home Connect
Wi-Fi connectivity, 4D Wash System
provides spotless results with every load**

- **i-DOS:** automatically measures the precise amount of liquid detergent and water.
- **Home Connect:** home appliances with smart connectivity for an easier everyday life.
- **4D Wash System:** highly efficient water and detergent penetration for spotless results.
- **EcoSilence Drive™:** quiet and energy-efficient drive, with a 10-year warranty.
- **10kg VarioDrum:** enough space for big loads or large items

Technical Data

Built-in / Free-standing : Freestanding
Height of removable worktop : -2 mm
Dimensions of the product : 848 x 598 x 590 mm
Height for building under : 850.00 mm
Net weight : 83.4 kg
Connection Rating : 2300 W
Fuse protection : 10 A
Voltage : 220-240 V
Frequency : 50 Hz
Length electrical supply cord : 160 cm
Washing performance class : A
Total annual energy consumption : 250.0 kWh
Water consumption : 72 l
Door hinge : Left
Wheels : No
EAN code : 4242005220984
Capacity cotton - NEW (2010/30/EC) : 10.0 kg
Energy consumption : 0.69 kWh
Spin drying performance class : A
Maximum spin speed : 1600 rpm
Noise level washing : 48 dB(A) re 1 pW
Noise level spinning : 74 dB(A) re 1 pW
Installation typology : Freestanding



4 242005 220984

Serie | 8, washing machine, front loader, 10 kg, 1600 rpm WAX32K41AU

i-DOS washing machine with Home Connect Wi-Fi connectivity, 4D Wash System provides spotless results with every load

Capacity

- Capacity: 10 kg

Consumption rates

- 5 Star energy rating
- 5 Star water rating (WELS)
- 72 litres water consumption per wash and 250 kWh energy consumption per year, based on the Cotton Eco program with 60°C temperature setting, 1600 spin speed, and a cold water connection

Programs

- Standard programs:
 - Cottons: hard-wearing items made from cotton, linen or blended fabrics
 - Cotton Eco: energy-saving program
 - Easy care: items made from synthetic or blended fabrics
 - Delicate/Silk: delicate, washable items made from silk, viscose and synthetics
 - Wool: hand or machine washable items that are made from wool or contain wool
- Additional specialty programs:
 - Shirts/Blouses: non-iron shirts and blouses made from cotton, linen, or blended fabrics
 - AllergyPlus/Hygienic: suits items that need to be hygienically clean such as towels, bed sheets or pillow cases
 - Automatic 30°C: gentle laundry care for delicate items, the degree of soiling and the type of fabric are automatically detected and the washing process is adapted
 - Drum Clean: cleaning and care program for the drum with reminder function
 - Spin/Drain: spins and drains the water
 - Mixed: lightly soiled items made from cotton, linen, or blended fabrics
 - Sportswear: sports and leisure items made from synthetic fibres, microfibre or fleece
 - Rinse: rinses and then spins the laundry, and then drains the water
 - Super 15'/30': short program for small lightly soiled items

Performance

- i-DOS automatic dosing system uses special sensors to determine the laundry's weight and type of textiles to

dispense liquid detergents and fabric softener with maximum precision W_F27-Pi

- ActiveWater Plus highly efficient water management technology automatically detects the exact load to determine the most efficient water flow possible
- Automatic load detection for precise detection of loaded laundry, allows the washing machine to automatically adjust the amount of water needed for every wash
- 4D Wash System: highly efficient and even water and detergent penetration for spotless results
- EcoSilence Drive: quiet, durable, and energy-efficient brushless motor (BLDC) with 10-year motor warranty
- VarioDrum: thorough yet gentle washing thanks to the unique drum structure design
- Spin speed 400 - 1600 rpm

Design

- Large multicolour LED display for program status, temperature, spin speed, energy/water consumption, and time remaining
- AntiVibration Side Panels reduce vibrations and noise levels, making it extremely quiet during the spin cycle

Convenience

- TouchControl buttons include:
 - Rinse Plus: Adds more rinse cycles, suited for highly soiled clothing
 - Intensive Plus: extend the program by up to 30 minutes, for heavily soiled items
 - Prewash options for stubborn stains and heavily soiled garments
 - Finish in (delayed start): delay the start of the program by up to 24 hours
 - Spin Speed: manually adjust the spin speed
 - Start/Pause with Reload function: allows you to add a forgotten garment even after the wash cycle has started
 - Temperature selection: manually adjust the temperature
 - SpeedPerfect: reduce cleaning time by up to 65%
- Home Connect allows you to control and monitor your appliance via your smartphone or tablet, bringing convenience and additional smart features to your home
- LED interior drum light bathes the inside of the drum in a brilliant white light when opened
- Illuminated control dial with integrated power On/Off button
- Reload function to pause machine operation for adding in last minute laundry items
- Drum Clean reminder function: the LED indicator will flash when a drum clean is required
- Consumption Indication: Information about energy and water consumption for program selected
- Large porthole, chrome, blackgrey with 171° door for easy loading/unloading

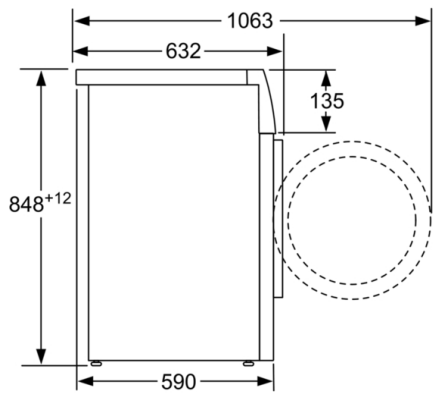
Safety

- AquaSecure anti-flood protection with self-sealing hose, minimises the risk of flooding
- Child lock for door and buttons

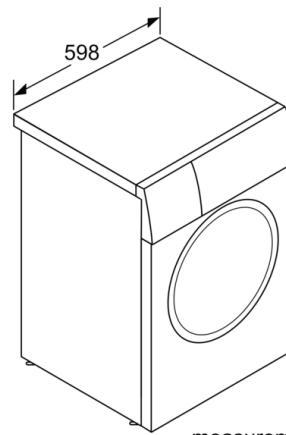
Technical Information

- Dimensions (H x W x D): 84.8 cm x 59.8 cm x 59.0 cm (63.2 cm including door handle)
- Operating noise level (based on Cotton 60°C program): wash 48 / spin 74 dB(A)

**Serie | 8, washing machine, front loader, 10
kg, 1600 rpm
WAX32K41AU**



measurements in mm



measurements in mm