



Font Kit Stand Alone Brushed Bronze

Font Kit Stand Alone Assembly Brushed Bronze - fits Arc Plus and Cube Plus

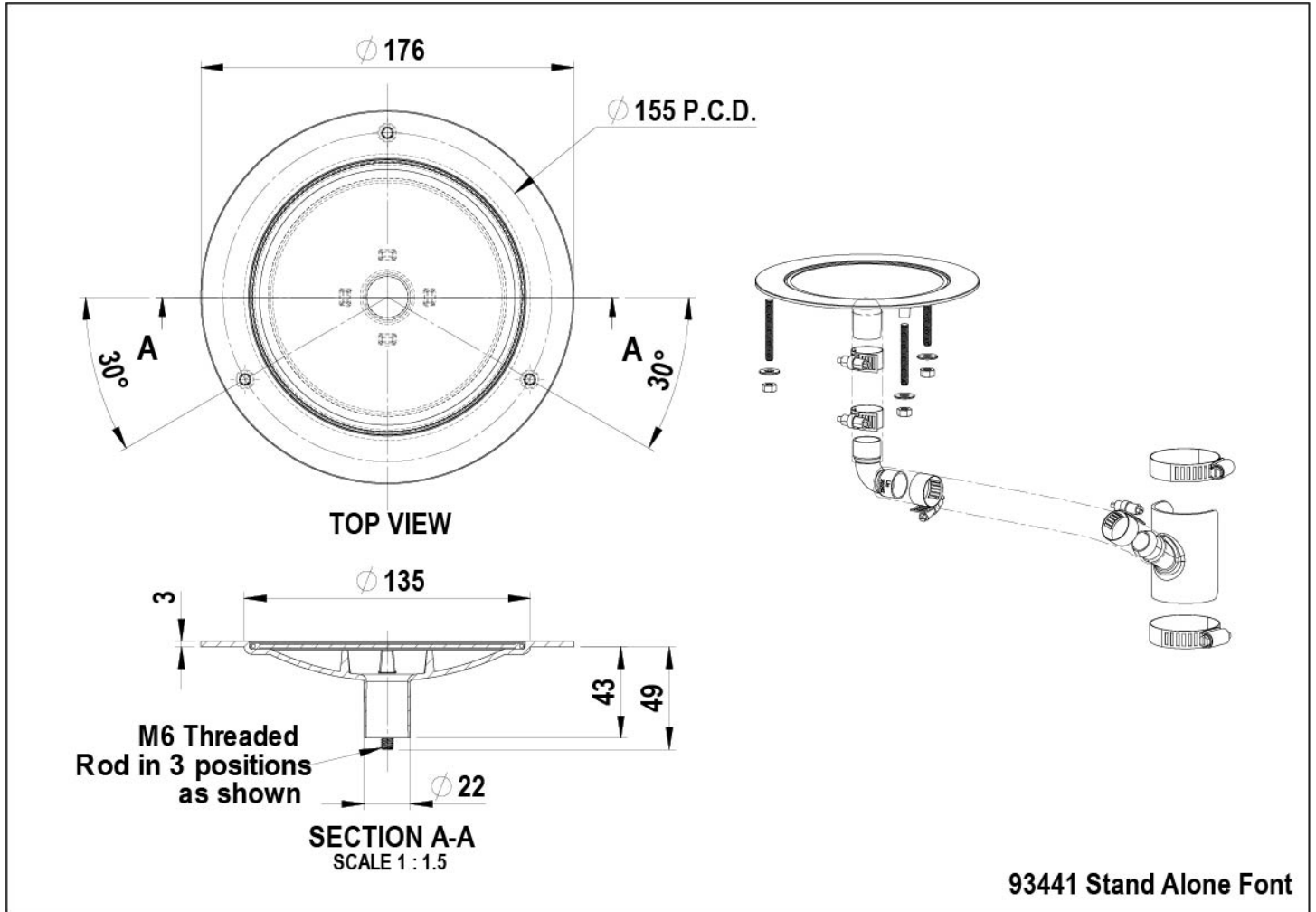
Product code: 93441Z15

Capacity: Commercial & Residential

Installation

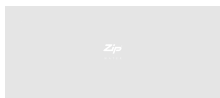
Files

Installation Layout 3D (DWG)



Installation layout (PDF)

BIM files



ArchiCAD Zip Water Library (LCF)



Revit project file



Revit virtual showroom

Download all



↓ [Quick guide \(PDF\)](#)