



User Manual

Refrigerator-Freezer

HRF680YZC

HRF680YZS

AA

Haier

Thank you for purchasing a Haier Product.

Please read these instructions carefully before using this appliance. The instructions contain important information which will help you get the best out of the appliance and ensure safe and proper installation, use and maintenance.

Keep this manual in a convenient place so you can always refer to it for the safe and proper use of the appliance.

If you sell the appliance, give it away, or leave it behind when you move house, make sure you also pass this manual so that the new owner can become familiar with the appliance and safety warnings.

Legend



Warning – Important Safety information



General information and tips

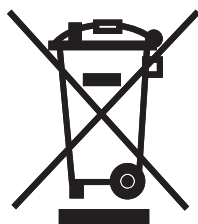


Environmental information



WARNING: Risk of fire/flammable material.

The symbol indicates there is a risk of fire since flammable materials are used. Take care to avoid causing a fire by igniting flammable material.



Disposal

Help protect the environment and human health. Put the packaging in applicable containers to recycle it. Help to recycle waste of electrical and electronic appliances. Do not dispose appliances marked with this symbol with the household waste. Return the product to your local recycling facility or contact your municipal office.



WARNING!

- ▶ Risk of injury or suffocation!
- ▶ Refrigerants and gases must be disposed of professionally. Ensure that the tubing of the refrigerant circuit is not damaged before being properly disposed of. Disconnect the appliance from the mains supply. Cut off the mains cable and dispose of it.
- ▶ Remove the trays and drawers as well as the door catch and seals, to prevent children and pets to get closed in the appliance.

Safety information	4
Product description.....	10
Control panel.....	11
Use.....	12
Equipment	30
Care and cleaning.....	33
Troubleshooting.....	35
Installation.....	40
Technical data.....	44
Customer service.....	46

Accessories

Check the accessories and literature in accordance with this list:



Warranty
card



User
manual



Water pipe

Before switching on the appliance for the first time read the following safety information :



WARNING!

Before first use

- ▶ Make sure there is no transport damage.
- ▶ Remove all packaging and keep out of children's reach.
- ▶ Wait at least two hours before installing the appliance in order to ensure the refrigerant circuit is fully efficient.
- ▶ Handle the appliance always with at least two people because it is heavy.

Installation

- ▶ The appliance should be placed in a well-ventilated place. Ensure a space of at least 10 cm above and around the appliance.
- ▶ Never place the appliance in a damp area or location where it might be splashed with water. Clean and dry water splashes and stains with a soft clean cloth.
- ▶ Do not install the appliance in direct sunlight or in the near of heat sources (e.g. stoves, heaters).
- ▶ Install and level the appliance in an area suitable for its size and use.
- ▶ **WARNING:** Keep ventilation openings in the appliance or in the in-built structure clear of obstruction.
- ▶ Make sure that the electrical information on the rating plate agrees with the power supply. If it does not, contact an electrician.
- ▶ The appliance is operated by a 220-240 VAC/50 Hz power supply. Abnormal voltage fluctuation may cause the appliance to fail to start, or damage to the temperature control or compressor, or there may be an abnormal noise when operating. In such case, an automatic regulator shall be mounted.
- ▶ Do not use multi-plug adapters and extension cables.
- ▶ **WARNING:** Do not locate multiple portable socket-outlets or portable power supplies at the rear of the appliance.
- ▶ **WARNING:** When positioning the appliance, ensure the supply cord is not trapped or damaged.
- ▶ Do not step on the power cable.
- ▶ Use a separate earthed socket for the power supply which is easy accessible. The appliance must be earthed.

**WARNING!**

- ▶ **WARNING:** Do not damage the refrigerant circuit.

Daily use

- ▶ This appliance can be used by children aged from 8 years and above and persons with reduced physical, sensory or mental capabilities or lack of experience and knowledge if they have been given supervision or instruction concerning use of the appliance in a safe way and understand the hazards involved.
- ▶ Children shall not play with the appliance.
- ▶ Children aged from 3 to 8 years are allowed to load and unload refrigerating appliances, but not allowed to clean and install the refrigerating appliances.
- ▶ Keep away children under 3 years of age from the appliance unless they are constantly supervised.
- ▶ Cleaning and user maintenance shall not be made by children without supervision.
- ▶ The appliance must be positioned so that the plug is accessible.
- ▶ If coal gas or other inflammable gas is leaking into vicinity of the appliance, turn off the valve of the leaking gas, open the doors and windows and do not unplug the power cable of the refrigerator/freezer or any other appliance.
- ▶ Notice that the appliance is set for operation at the specific ambient range between 16 and 43°C. The appliance may not work properly if it is left for a long period at a temperature above or below the indicated range.
- ▶ Do not place unstable articles (heavy objects, containers filled with water) on top of the refrigerator/freezer, to avoid personal injury caused by falling or electric shock caused by contact with water.
- ▶ Do not pull on the door shelves. The door may be pulled slant, the bottle rack may be pulled away, or the appliance may topple.
- ▶ Open and close the door only with handles. The gap between the door and the cabinet is very narrow. Do not put your hands in these areas to avoid pinching your fingers. Open or close the refrigerator/freezer doors only when there are no children standing within the range of door movement.



WARNING!

- ▶ To avoid contamination of food, please respect the following instructions:
- ▶ – Opening the door for long periods can cause a significant increase of the temperature in the compartments of the appliance.
- ▶ – Clean regularly surfaces that can come in contact with food and accessible drainage systems.
- ▶ – Clean water tanks if they have not been used for 48 h; flush the water system connected to a water supply if water has not been drawn for 5 days.
- ▶ – Store raw meat and fish in suitable containers in the refrigerator, so that it is not in contact with or drip onto other food.
- ▶ – Two-star frozen-food compartments are suitable for storing pre-frozen food, storing or making ice-cream and making ice cubes.
- ▶ – One-, two- and three-star compartments are not suitable for the freezing of fresh food.
- ▶ – If the refrigerating appliance is left empty for long periods, switch off, defrost, clean, dry, and leave the door open to prevent mould developing within the appliance.
- ▶ Never store bottled beer or beverages, liquids in bottles or cans (besides high percentage spirits) especially carbonated beverages in the freezer, as these will burst during freezing.
- ▶ Do not store explosive substances such as aerosol cans with a flammable propellant in this appliance.
- ▶ Do not store medicines, bacteria or chemical agents in the appliance. This appliance is a household appliance. It is not recommended to store materials that require strict temperatures.
- ▶ Check the condition of food if a warming in the freezer has taken place.
- ▶ Do not set unnecessarily low temperature in the refrigerator compartment. Minus temperatures may occur at high settings. Attention: Bottles can burst
- ▶ Do not touch frozen goods with wet hands (wear gloves). Especially do not eat ice lollies immediately after removal from the freezer compartment. There is the risk to freeze or the formation of frost blisters. FIRST aid: keep immediately under running cold water. Do not pull away!
- ▶ Do not touch the inside surface of the freezer storage compartment when in operation, especially with wet hands, as your hands may freeze onto the surface.

**WARNING!**

- ▶ Unplug the appliance in the event of a power interruption or before cleaning. Allow at least 7 minutes before restarting the appliance, as frequent starting may damage the compressor.

- ▶ **WARNING:** Do not use electrical appliances inside the food storage compartments of the appliance, unless they are of the type recommended by the manufacturer.

Maintenance / cleaning

- ▶ Make sure children are supervised if they carry out cleaning and maintenance.
- ▶ Disconnect the appliance from the electrical supply before undertaking any routine maintenance. Allow at least 5 minutes before restarting the appliance, as frequent starting may damage the compressor.
- ▶ Hold the plug, not the cable, when unplugging the appliance.
- ▶ Do not clean the appliance with hard brushes, wire brushes, detergent powder, petrol, amyl acetate, acetone and similar organic solutions, acid or alkaline solutions. Please clean with a small bit of dish detergent to avoid damage.
- ▶ Do not scrape off frost and ice with sharp objects. Do not use sprays, electric heaters like heater, hair dryer, steam cleaners or other sources of heat in order to avoid damage to the plastic parts.
- ▶ **WARNING:** Do not use mechanical devices or other means to accelerate the defrosting process, other than those recommended by the manufacturer.
- ▶ If the supply cord is damaged, it must be replaced by the manufacturer, its service agent or similarly qualified persons in order to avoid a hazard.
- ▶ Do not try to repair, disassemble or modify the appliance by yourself. In case of repair please contact our customer service.
- ▶ If the illuminating lamps are damaged, it must be replaced by the manufacturer, its service agent or similarly qualified persons in order to avoid a hazard.
- ▶ Eliminate the dust on the back of the unit at least once in the year to avoid hazard by fire, as well as increased energy consumption.



WARNING!

- ▶ Do not spray or flush the appliance during cleaning.
- ▶ Do not use water spray or steam to clean the appliance.
- ▶ Do not clean the cold glass shelves or glass door with hot water. Sudden temperature change may cause the glass to break.
- ▶ If you leave your appliance out of use for an extended period, leave it open to prevent odour and unpleasant smells building up inside.

Refrigerant gas information



WARNING!

The appliance contains the flammable refrigerant ISOBUTANE (R600a). Make sure the refrigerant circuit is not damaged during transportation or installation. Leaking refrigerant may cause eye injuries or ignite. If a damage has occurred, keep away open fire sources, thoroughly ventilate the room, do **not** plug or unplug the power cords of the appliance or any other appliance. Inform the customer service.

In case of eyes get into contact with the refrigerant, rinse immediately it under running water and call immediately the eye specialist.

WARNING: The refrigeration system is under high pressure. Do not tamper with it. Since the flammable refrigerants are used, please install, handle and service the appliance strictly according to the instruction and contact the professional agent or our customer service to dispose of the appliance.

WARNING: It is hazardous for anyone other than an Authorised Service Person to service this appliance. In Queensland - the authorised Service Person **MUST** hold a Gas Work Authorisation for hydrocarbon refrigerants, to carry out Servicing or repairs which involve the removal of covers.



WARNING!

For refrigerators with ice-water function, please pay attention to the following warning:

For appliances not intended to be connected to the water supply:

WARNING: fill with portable water only.

For appliances intended to be connected to the water supply:

WARNING: connect to potable water supply only.

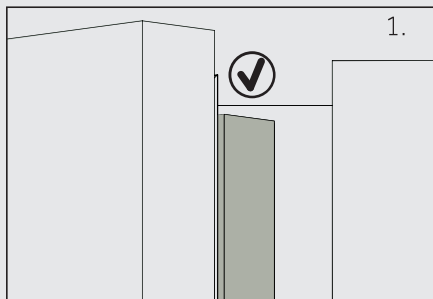
If you want to clean the water system, please refer to the User Manual. If you have any questions, please contact the customer service.

Intended use

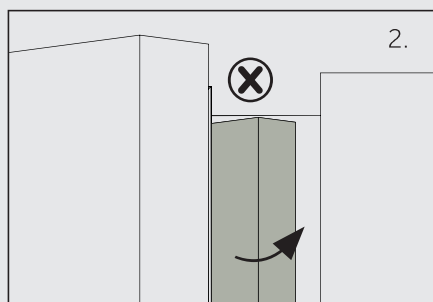
This appliance is intended for cooling and freezing food. It has been designed exclusively for use in household and similar applications such as staff kitchen areas in shops, offices and other working environments; farm houses and by clients in hotels, motels and other residential type environments as well as in bed-and-breakfast and catering business. It is not intended for commercial or industrial use. Changes or modifications to the device are not allowed. Unintended use may cause hazards and loss of warranty claims.



CAUTION!



When you close the door, the vertical door beam on the fridge left door should be bent inside (1).



If you try to close the left door and the vertical door strip is unbent (2), you should bend it firstly, otherwise the door strip will hit the Beam Track or right door. Thus a damage to the door slip or a leak will occur.

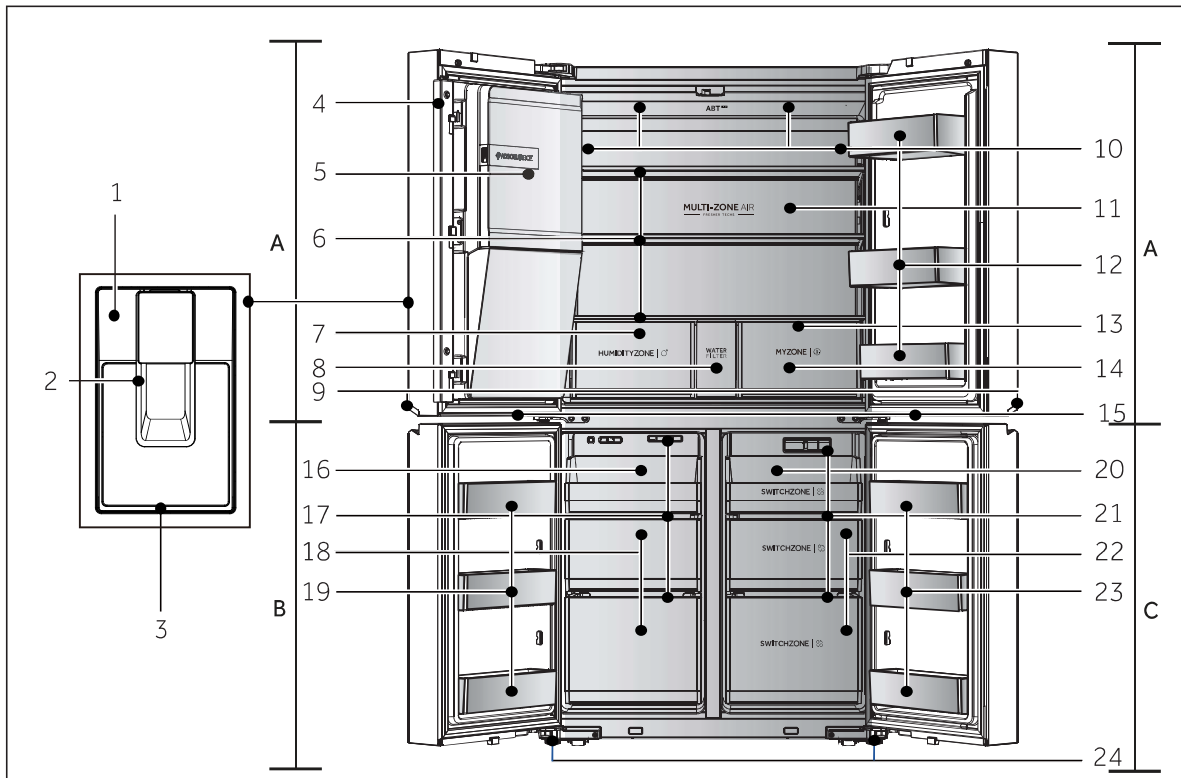
There is a heating element inside the frame. The temperature of the surface will rise a little, which is normal and won't affect the function of appliance.



Notice

Due to technical changes and different models, some of the illustrations in this manual may differ from your model.

Model HRF680YZC/HRF680YZS (With Icemaker in door)



A: Fridge compartment

- 1 Control panel
- 2 Dispenser paddle
- 3 Drip Trap
- 4 Vertical beam
- 5 Automatic Icemaker
- 6 Glass shelves
- 7 Humidity zone drawer
- 8 Water Filter cover
- 9 Door handle
- 10 Air duct and sensor (behind panel)
- 11 Fridge compartment light
- 12 Door Shelf
- 13 My Zone Air duct (behind drawers)

- 14 My Zone drawer
- 15 Freezer/Switch Zone light

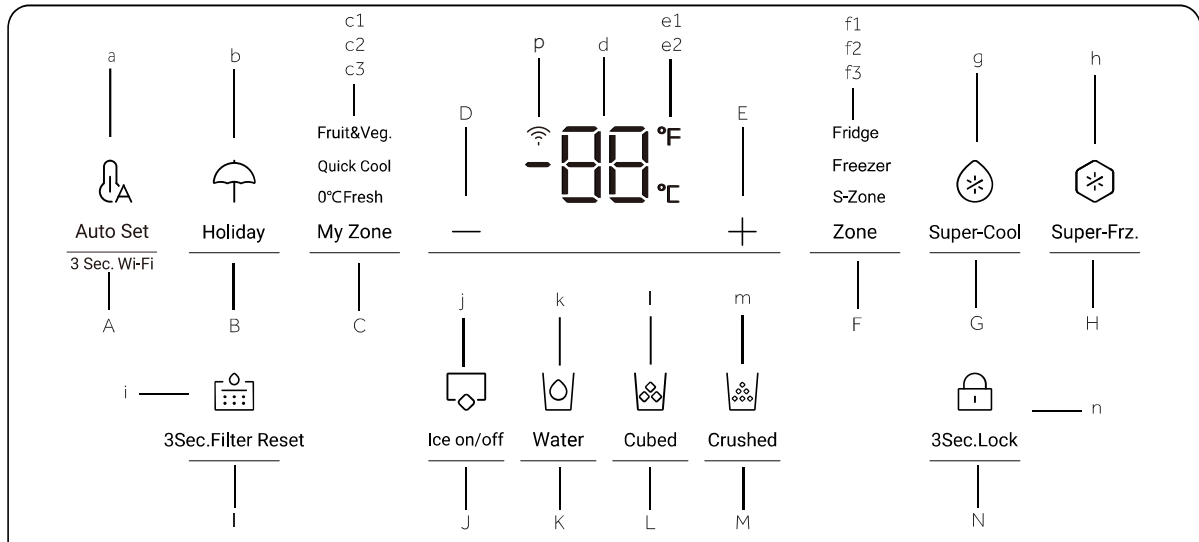
B: Freezer compartment

- 16 Sliding tray
- 17 Air duct
- 18 Freezer storage drawers
- 19 Door Shelf

C: Switch Zone compartment

- 20 Sliding tray
- 21 Air duct
- 22 Switch Zone drawers
- 23 Door Shelf
- 24 Adjustable feet

Control panel

**Buttons:**

- A Auto Set/Wi-Fi function selector
- B Holiday mode selector
- C My Zone drawer selector
- D Temperature adjustment button "-"
- E Temperature adjustment button "+"
- F Zone selector
- G Super-Cool selector
- H Super-Freeze selector
- I Filter reset function selector
- J Ice maker mode selector
- K Water Dispense function selector
- L Cubed ice function selector
- M Crushed ice function selector
- N Panel lock selector

Indicators:

- a Auto Set mode
- b Holiday mode
- c1 Fruit & Vegetable mode
- c2 Quick Cool mode
- c3 0° C Fresh mode
- d Temperature display
- e1 Degrees Fahrenheit
- e2 Degrees Celsius
- f1 Fridge indicator
- f2 Freezer indicator
- f3 S-Zone indicator
- g Super-Cool function
- h Super-Freeze function
- i Filter reset function
- j Ice maker mode
- k Water Dispense function
- l Cubed ice function
- m Crushed ice function
- n Panel lock
- p Wi-Fi function

Sensor keys

The buttons on the control panel are sensor keys, which already respond when lightly touched with the finger.

Switch on/off of the appliance

The appliance is in operation as soon as it is connected to the power supply.

When the refrigerator is first powered on, the indicator "d" (Temperature display) illuminates. The fridge temperature, S-Zone temperature and freezer temperature are automatically set to 5° C, -6° C and -18° C respectively. The indicator "a" (Auto Set mode) illuminates.

The panel lock is active.



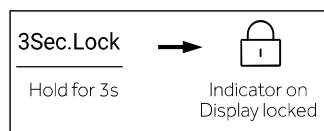
Notice

When the appliance is switched on after disconnection from the main power supply, it may take up to 12 hours for the correct temperatures to be reached.

Empty the appliance before switching off. To switch off the appliance, pull the power cord out off the power socket.

Lock/unlock panel

- ▶ Automatic lock: When the fridge door, freezer door and S-Zone door are closed and there is no key operation within 30 seconds the display screen will automatically turn off and lock.



- ▶ Manual lock: When the display screen is unlocked, press the button "N" (Panel lock selector) and hold for 3 seconds, the buzzer rings once, the indicator "n" (Panel lock) illuminates, and the display is locked.



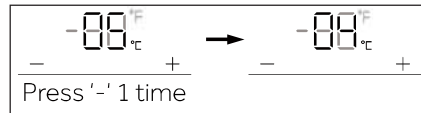
Adjust the temperature

The temperatures are influenced by the following factors:

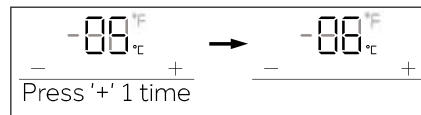
- ▶ Ambient temperature
- ▶ Frequency of door opening
- ▶ Amount of stored foods
- ▶ Installation of the appliance

Adjust the temperature for fridge

1. When the display screen is unlocked, press the button "F" (Zone selector) until the "f1" (Fridge indicator) flashes.
2. Use the button "D" to decrease the temperature by 1 °C.



3. Use the button "E" to increase the temperature by 1 °C.



Notice

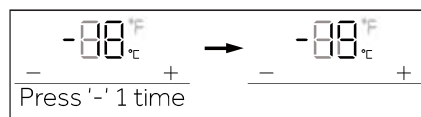
After setting the temperature, if there is no operation within 5 seconds, the system will be automatically determined and save the set temperature.

The selectable temperature ranges is 1 °C to 9 °C.

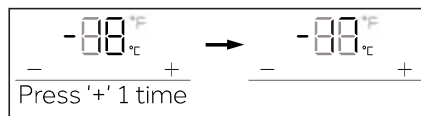
The default temperature is 5 °C.

Adjust the temperature for freezer

1. When the display screen is unlocked, press the button "F" (Zone selector) until the "f2" (Freezer indicator) flashes.
2. Use the button "D" to decrease the temperature by 1 °C.



3. Use the button "E" to increase the temperature by 1 °C.



Notice

After setting the temperature, if there is no operation within 5 seconds, the system will be automatically determined and save the set temperature.

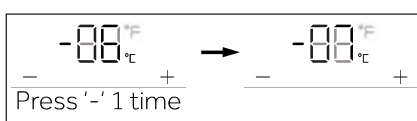
The selectable temperature ranges is -14 °C to -24 °C.

The default temperature is -18 °C.

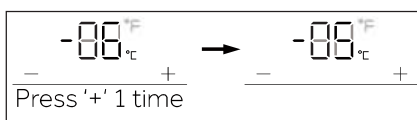
Adjust the temperature for Switch Zone (S-Zone)

When the display screen is unlocked, press the button "F" (Zone selector). The buzzer rings once, the indicator "f3" (S-Zone indicator) flashes, and then here comes the temperature setting mode of the S-zone.

1. When the display screen is unlocked, press the button "F" (Zone selector) until the "f3" (Switchzone indicator) flashes.
2. Use the button "D" to decrease the temperature by 1 °C.



3. Use the button "E" to increase the temperature by 1 °C.



Notice

After setting the temperature, if there is no operation within 5 seconds, the system will be automatically determined and save the set temperature.

The selectable temperature ranges is -18 °C to 5 °C.

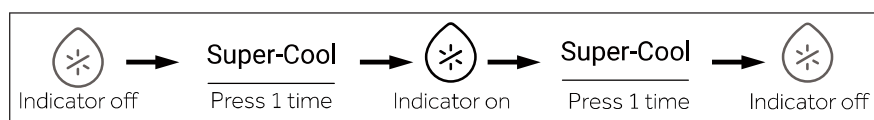
The default temperature is -6 °C.

The Switch Zone is cooled by the Freezer compartment. If the Switch Zone is set to a lower temperature than the Freezer, the Freezer will cool to match the Switch Zone temperature.

Super-Cool function

In Super Cool mode the fridge compartment will be set to it's lowest temperature until it cools down to that temperature. Use it to help cool food faster.

1. When the display screen is unlocked, press the button "G" (Super Cool selector) to turn on the Super Cool function. The indicator 'g' (Super Cool function) will be illuminated.
2. Press the button "G" (Super Cool selector) to turn off.
3. The refrigerator will automatically turns off the function once the product reaches the lowest temperature.





Notice

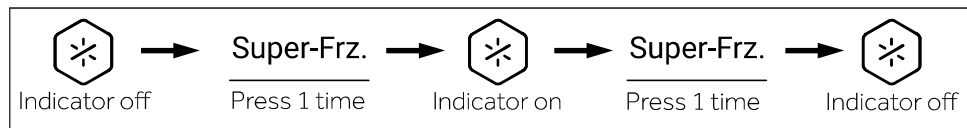
While the Super Cool Function is selected, the temperature of the fridge compartment can not be adjusted.

While the Super Cool Function is selected, if you activate the Auto Set mode or the Holiday mode, the Super Cool Function will be turned off.

Super-Freeze function (Super-Frz)

In Super Freeze mode the freezer compartment will be set to it's lowest temperature until it cools down to that temperature. Use it to help freeze food faster.

1. When the display screen is unlocked, press the button "H" (Super Freeze selector) to turn on the Super Freeze function. The indicator h' (Super Freeze function) will be illuminated.
2. Press the button "H" (Super Freeze selector) to turn off.
3. The refrigerator will automatically turns off the function once the product reaches the lowest temperature.



Notice

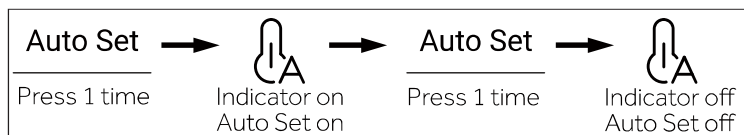
While the Super Freeze Function is selected, the temperature of the fridge compartment can not be adjusted.

While the Super Freeze Function is selected, if you activate the Auto Set mode or the Holiday mode, the Super Freeze Function will be turned off.

Auto Set mode

In Auto Set mode the fridge temperature is set to 5 °C and the freezer temperature is set to -18 °C. The Switch Zone remains as the temperature it is set to.

1. When the display screen is unlocked, press the button "A" (Auto Set mode selector) to turn on the Auto Set function. The indicator a' (Auto Set mode function) will be illuminated.
2. Press the button "A" (Auto Set mode selector) to turn it off.



Notice

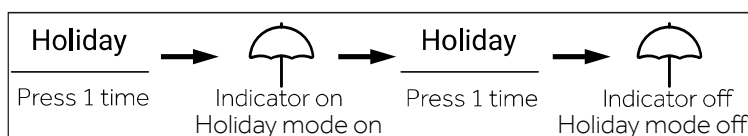
While in Auto Set mode, the temperature of the fridge and freezer compartments cannot be adjusted.

While in Auto Set mode, if you activate the Holiday mode, Super Cool or Super Freeze, it will turn off the Auto Set Mode.

Holiday mode

Holiday mode is designed to save power and prevent odors while not using your fridge for a long time. In Holiday mode the fridge will be set to 17 °C. The freezer and switch zone will remain at their chosen temperatures.

1. When the display screen is unlocked, press the button "B" (Holiday mode selector) to turn on the Holiday mode function. The indicator a' (Holiday mode) will be illuminated.
2. Press the button "B" (Holiday mode selector) to turn it off.





Notice

While in Holiday mode, the temperature of the fridge compartment cannot be adjusted.
While in Holiday mode, if you activate the Auto Set mode, Super Cool, Super Freeze or Ice Maker On, it will turn off the Holiday Mode.

IMPORTANT! Before using the Holiday function, please empty the fridge and ice maker to prevent spoilage of food stuffs.

My Zone drawer

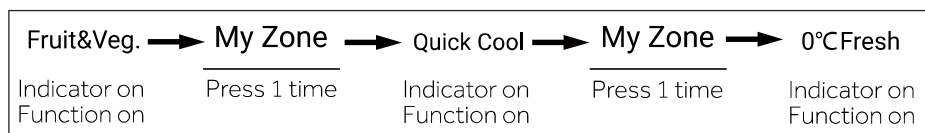
The My Zone drawer has three modes.

Fruit & Vegetable mode is suitable for Fruit and Vegetables

Quick Cool mode is suitable for cooling beverages quickly

0°C Fresh mode is suitable for keeping Fish and Meat fresh.

When the display screen is unlocked, press the button "C" (My Zone Drawer selector) until the light indicates the mode you want.



Notice

The default setting for the My Zone is the Fruit and Vegetable mode.

Wi-Fi function

Your appliance can be connected to your home wireless network and operated remotely using the app.

Getting started

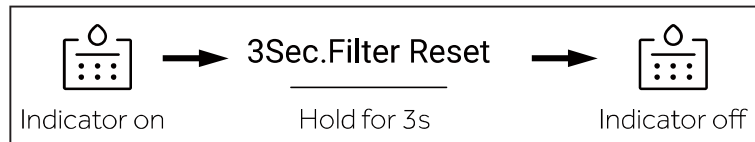
- Ensure your home Wi-Fi network is turned on.
- You will be given step by step guidance on your mobile device.
- It may take up to 10 minutes to connect your appliance.

On your mobile device:

- ① Download the app from www.fisherpaykel.com/connect
- ② Register and create an account.
- ③ Add your appliance and set up the Wi-Fi connection.

Filter function

After six months of operation, the reminder indicator "i" (Filter Reset indication) will illuminate. After you replace the Water Filter hold the button "i" (Filter Reset selector) for 3 seconds to cancel the reminder.

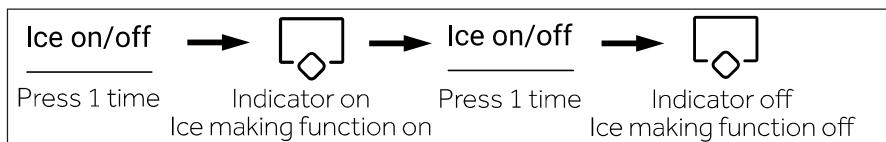


Notice

It is recommended to replace the water filter every six months.

Ice maker mode

1. When the display screen is unlocked, press the button "J" (Ice Maker mode selector) to turn on the Ice Make function. The indicator 'j' (Ice Maker mode) will be illuminated.
2. Press the button "j" (Ice Maker mode selector) to turn off the Ice Make function.

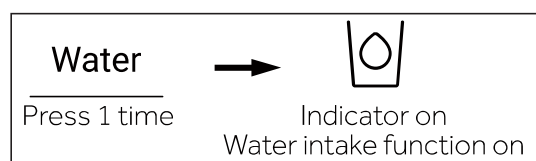


Notice

When the ice maker mode is turned off, Ice on / off flashes when the user takes Cubed ice or Crushed ice, prompting the user that the ice maker function is off.

Water intake function

Press the button "K" (Water Dispense function selector) to change the dispense mode to Water. The indicator "k" (Water Dispense function) will illuminate



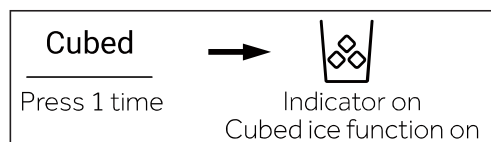


Notice

1. When the indicator 'k' (Water Dispense function) is illuminated, Press the Dispenser Paddle to dispense Water.
2. When the water intake time reaches 150s, the refrigerator will beep and continue to dispense water until the time reaches 180s, the water will be cut off and the water valve will enter the 200s protection time, and then water intake can be carried out again.
3. When the cumulative water intake time reaches 8min within 10min, the water valve enters the 200s protection time, and then water intake can be carried out again.

Cubed ice function

Press the button "L" (Cubed ice function selector) to change the dispense mode to Cubed Ice. The indicator "I" (Cubed ice function) will illuminate.

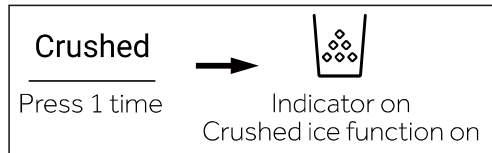


Notice

1. When the indicator 'I' (Cubed Ice function) is illuminated, press the Dispenser Paddle to dispense Cubed Ice.
2. Cubed Ice will be off when you first turn on the refrigerator.
3. When you stop pressing the Dispenser Paddle the Ice will stop.
4. After 50 seconds of Dispensing Cubed Ice an alarm will sound. After 1 minute of Dispensing Cubed Ice it will automatically stop dispensing.
5. The Cubed Ice function will not work when the left refrigerator door is open.

Crushed ice function

Press the button "M" (Crushed ice function selector) to change the dispense mode to Crushed Ice. The indicator "m" (Crushed ice function) will illuminate.



Notice

1. When the indicator 'm' (Crushed Ice function) is illuminated, Press the Dispenser Paddle to dispense Crushed Ice.
2. Crushed Ice will be off when you first turn on the refrigerator.
3. When you stop pressing the Dispenser Paddle the Ice will stop.
4. After 50 seconds of Dispensing Crushed Ice an alarm will sound. After 1 minute of Dispensing Crushed Ice it will automatically stop dispensing.
5. The Crushed Ice function will not work when the left refrigerator door is open.

Switch between degrees Celsius and Fahrenheit

1. The refrigerator is set to Celsius by default.
2. When the display is unlocked, hold the button "H" (Super-Freeze selector) for 3s, the buzzer rings once, the indicator "e2" (Degrees Celsius) goes off, with the indicator "e1" (Degrees Fahrenheit) illuminating.



Door opening alarm

If any door is kept open too long or the door is not closed well, the refrigerator will raise beep alarm at set intervals to remind you to close the door in time.

Power off memory

When the refrigerator is turned off it will store your current settings and resume them when the refrigerator is turned on again.

Ice maker instructions

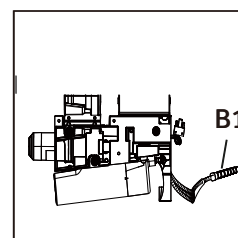
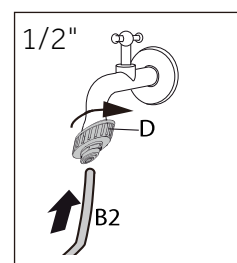
**WARNING!**

- ▶ Only connect to drinking water supply. The water filter only filters impurities in the water and makes ice clean and hygienic. It cannot sterilize or destroy germs or other harmful substances.
- ▶ Too high water pressure in the hose can damage the appliance. Install a pressure reducer when the water pressure in the hose exceeds 827 kPa.
- ▶ Before connection, check whether the water is clean and clear.

**Notice: Water connection**

- ▶ Pressure of the cold water has to be **172-827 kPa**
- ▶ The maximum permitted length of water hose is 8 metres. Longer hoses will affect the ice cubes and cold water content.
- ▶ Ambient temperature must be greater than 0°C.
- ▶ Keep the water hose away from heat sources.

1. Connect the end of pipe (B2) to one of the adapters "D" suits to the water main.
2. Connect the end of B1 to the valve assembly at the back of appliance.
3. Open the water tap to check if the system is leak free and flush the pipe.

**WARNING!**

- ▶ Ensure always that the connections are firm, dry and leak free!
- ▶ Ensure the hose is not crushed, kinked or twisted.

Ice and water dispenser

Before using the ice and water dispenser



CAUTION!

- ▶ Keep children away from the dispenser to prevent children playing with or damaging the controls.



CAUTION!

- ▶ Throw away the first few batches of ice (about 20 cubes and 7 cups of water). This is also necessary if the appliance has not been used for a long time.
- ▶ We recommend cleaning the dispenser tray with a damp cloth if the water dispenser not been used for 48 hours.
- ▶ If the water has not been drawn for 5 days, we recommend flushing the water through the dispenser about 5 minutes and throw away the first few batches of ice.
- ▶ Do not use a thin crystal cup or chinaware when dispensing water or ice.



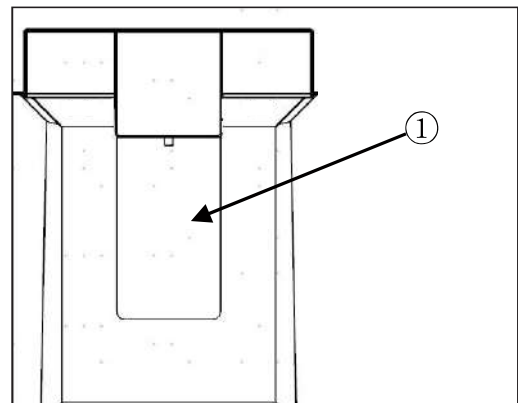
Notice

- ▶ If you open the freezer door while water is being dispensed, the water dispensing will stop.
- ▶ If you open the fridge door while water, cubed ice or crushed ice is being dispensed, dispensing will be paused. When you close the door, the selected item will continue to be dispensed.
- ▶ If the cup rim is small, water may splash out of the glass or miss it completely.
- ▶ Use a cup with a rim of over 68 mm in diameter when dispensing water, cubed ice or crushed ice.
- ▶ When the ice maker produces smaller ice cubes, or the cubes become lumped together, the amount of water supplied to the ice maker may be low due to insufficient water in the water tank. If ice is not used frequently or the freezer set temperature is too warm, it may also lump together.
- ▶ It is normal for milky / cloudy water to be dispensed after replacing the water filter. This air in the water will eventually clear and is safe to drink during this transition.

Using the ice and water dispenser

Press the dispenser selection button repeatedly until the light above the indicator that you want illuminates.

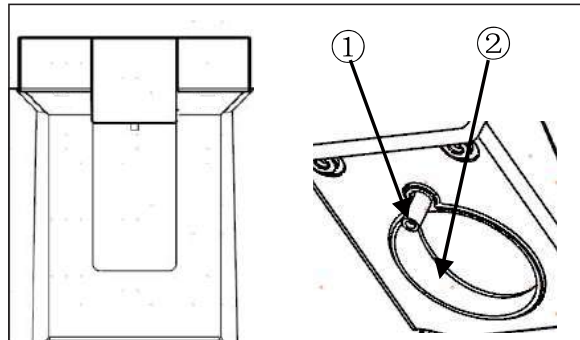
Press the dispenser paddle (1) with a glass or other container to dispense cubed ice, water or crushed ice.



Cleaning the dispenser

Cleaning the ice and water outlet

Wipe the water outlet (1) or ice outlet (2) frequently with a clean cloth as it may get dirty easily.

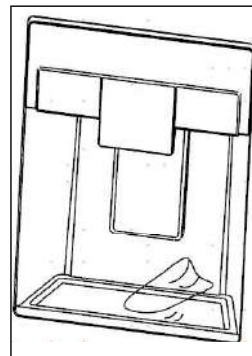


Notice

Lint from a cloth may adhere to the outlets.

Cleaning the dispenser tray

Wipe the entire area with a damp cloth. The dispenser tray may become wet easily due to spilled ice or water.



Automatic icemaker

This feature is only available on some models.

This feature may vary depending on model purchased.

Before using the in-door icemaker

This feature is only available on some models.

- ▶ The icemaker produces ice normally when approximately 48 hours have passed after the appliance is initially installed.
- ▶ If the ice bin is completely filled with ice, ice production will stop.
- ▶ Sound of ice dropping into the ice bin is normal.
- ▶ If ice cubes are stored in the ice bin for a long period of time, they may clump together and may not be separated easily. In such a case, empty the ice bin and allow fresh ice to be made.

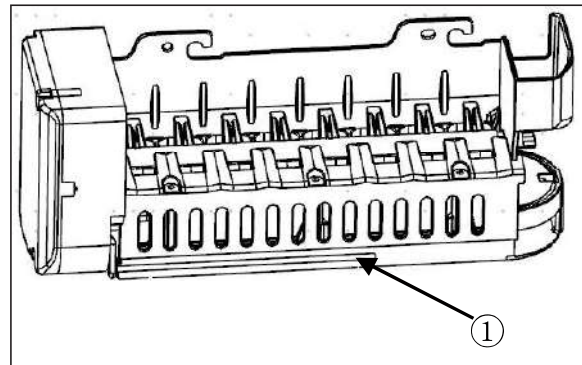
**CAUTION!**

- ▶ It is normal for milky or cloudy water to be dispensed after replacing the water filter. This air in the water will clear eventually and is safe to drink.
- ▶ The first ice and water dispensed may include particles or odour from the water supply line or the water tank.
- ▶ If discolored ice is dispensed, check the water tank and the water supply for a possible source. Do not use the ice or water until the problem is corrected.
- ▶ Do not touch the ice outlet or the automatic icemaker with your hand or a tool.
- ▶ Dispense ice into a glass before filling it with water or other beverages. Splashing will occur if ice is dispensed into a glass that already contains liquid.
- ▶ Never use a glass that is exceptionally narrow or deep. Ice may jam in the ice passage, affecting the performance of the appliance.
- ▶ Keep the glass at a proper distance from the ice outlet. A glass held too close to the outlet may prevent ice from dispensing.
- ▶ Dispose of the ice inside the ice bin if you go on vacation or if an extended power outage occurs. Water from melting ice may drop from the dispenser onto the floor.

In-door icemaker

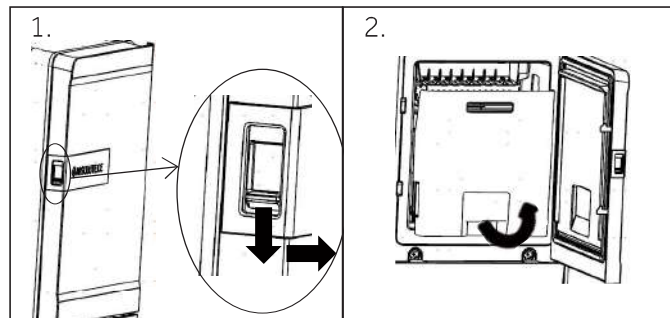
The automatic icemaker can automatically make 100-190 cubes, within a 24-hour period if conditions are favorable. This amount may vary according to the environment (ambient temperature around the appliance, frequency of the door being opened, amount of food stored in the appliance.).

(1) Auto Shutoff (feeler arm)

**Removing/Refitting the ice storage bin**

The ice dispensing chute may become blocked with frost if only crushed ice is used. Remove the frost that accumulates by removing the ice bin and clearing the passage with a rubber spatula. Dispensing cubed ice periodically can also help prevent frost buildup.

1. Gently pull the handle to open the ice compartment.
2. To remove the in-door ice bin, grip the front handle, slightly lift the lower part, and slowly pull out the bin as shown.
3. Refit the in-door ice bin in the reverse sequence of their removal.



CAUTION!

- ▶ Do not touch the automatic icemaker's mechanical parts with your hand or any mechanical implement. Doing so may cause serious injury or damage to the appliance.
- ▶ Do not disassemble, repair or alter the automatic icemaker. These tasks should only be done by a service technician.
- ▶ Keep children away from the dispenser.
- ▶ When refitting the ice bin, ensure that it is placed correctly.



WARNING!

- ▶ Do not put this ice box in water or sprinkle it! If you need to clean this ice box, please wipe it with wet soft cloth.

Water filter

Before replacing the water filter



WARNING!

- ▶ Do not allow children to have access to small parts during the installation of this product.
- ▶ Do not use with water that is microbiologically unsafe or of unknown quality without adequate disinfection before or after the system. Systems certified for cyst reduction may be used on disinfected water that may contain filterable cysts.



Notice

- ▶ While the testing was performed under standard laboratory conditions, actual performance may vary.
- ▶ It is essential that the manufacturer's recommended installation, maintenance and filter replacement requirements be carried out for the product to perform as advertised.

**CAUTION!**

- ▶ Do not install if water pressure exceeds 827 kPa. If your water pressure exceeds 827 kPa, you must install a pressure limiting valve. Contact a plumbing professional if you are uncertain how to check your water pressure.
- ▶ Do not install where water hammer conditions may occur. If water hammer conditions exist, you must install a water hammer arrester. Contact a plumbing professional if you are
- ▶ Do not install on hot water supply lines. The maximum operating water temperature of this filter system is 37.8 °C.
- ▶ Protect filter from freezing. Drain filter when temperatures drop below 4.4 °C.
- ▶ The disposable filter cartridge **MUST** be replaced every 6 months, at the rated capacity or if a noticeable reduction in flow rate occurs.
- ▶ Where a backflow prevention device is installed on a water system, a device for controlling pressure due to thermal expansion must be installed.
- ▶ Ensure all tubing and fittings are secure and free of leaks.

Replacing the water filter

The filter must be changed every 6 months or when the water filter indicator on the control panel lights turns on or the water dispenser output decreases.

To purchase a replacement water filter:

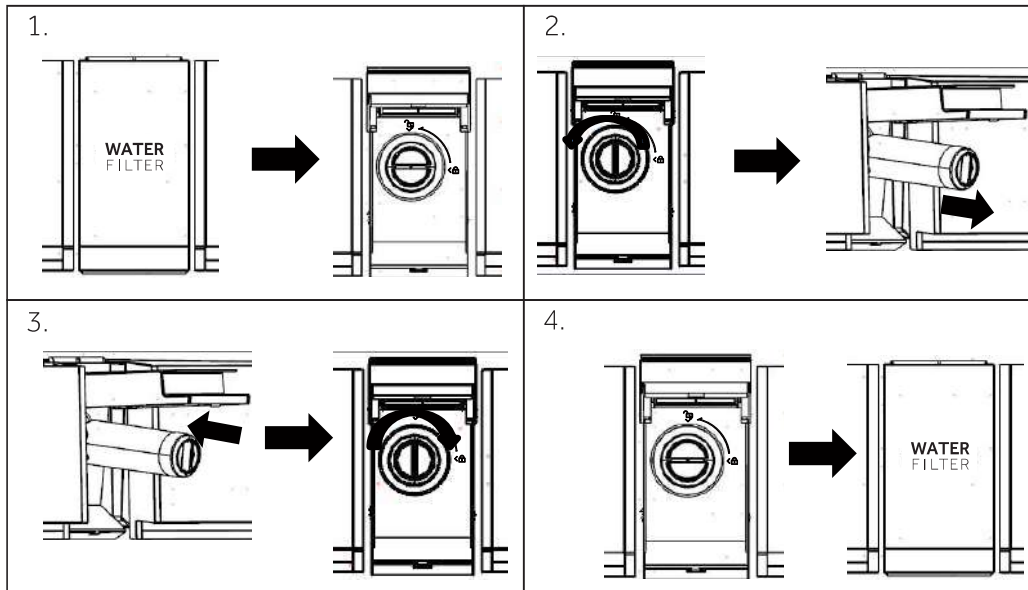
- Use replacement cartridge: 868686 FWC5 Fisher & Paykel Water Filter.
- Visit your local dealer or distributor. For further assistance, visit our website at

<https://www.haier.co.nz/accessories/water-filter-868686-868686.html>

<https://www.haier.com.au/water-filter-868686-868686.html>

**Notice**

- ▶ Replacing the water filter causes a small amount of water (around 1 oz. or 25 cc) to drain.
 - ▶ Wrap a cloth around the front end of the water filter cover to collect any leaking water. Hold the water filter upright, once it is removed, to prevent any remaining water from spilling out of the water filter.
1. Uplift the water filter cover.
 2. Remove the disposable water filter.
 3. Replace with a new water filter. Insert the new filter into the filter head and rotate it clockwise until the arrow on the new filter lines up with the arrow on the filter head. Swing the filter back into the compartment.
 4. Close the water filter cover.



5. Press and hold the **3Sec.Filter Reset** button for 3 seconds.
6. Dispense water for approximately 5 minutes to remove trapped air and contaminants.



CAUTION!

- ▶ Failure to replace filters when required or using non Haier authorised water filters can cause the filter cartridge to leak and result in property damage.

Water Filter

Model: F&P Filter

- ▶ System certified by IAPMO R&T against NSF/ANSI Standards 42, 53, 401 and P473 for the reduction of claims specified on the performance data sheet and at iapmort.org.
- ▶ Actual performance may vary with local water conditions.

Application Guidelines/Water Supply Parameters

Service Flow: 0.5 gpm (1.89 lpm)

Water Supply: Potable Water

Water Pressure: 25-120 psi (172-827 kPa)

Water Temperature: 33°F-100°F (0.6°C-38°C)

Capacity: 170 gallons (643.5 liter)

It is essential that the manufacturer's recommended installation, maintenance and filter replacement requirements be carried out for the product to perform as advertised. See Installation Manual for Warranty information.



WARNING!

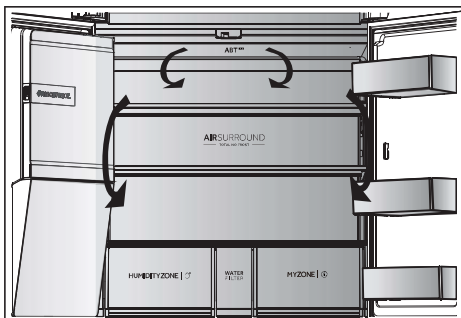
- ▶ **To reduce the risk associated with ingestion of contaminants:**
- ▶ **Do not use with water that is microbiologically unsafe or of unknown quality without adequate disinfection before and after the system.** Systems certified for cyst reduction may be used on disinfected water that may contain filterable cysts.



Notice

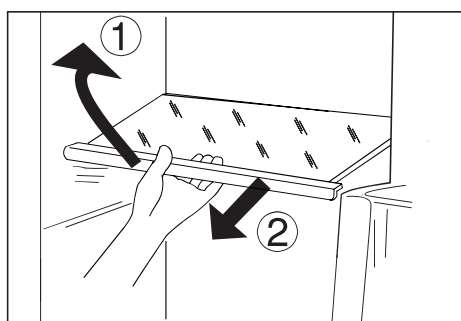
To reduce the risk of water leakage or flooding, and to ensure optimal filter performance:

- ▶ Read and follow use instructions before installation and use of this system.
- ▶ Installation and use **MUST** comply with all state and local plumbing codes.
- ▶ Do not install if water pressure exceeds 120 psi (827 kPa). If your water pressure exceeds 80 psi (552 kPa), you must install a pressure-limiting valve. Contact a plumbing professional if you are uncertain how to check your water pressure.
- ▶ Do not install where water hammer conditions may occur. If water hammer conditions exist you must install a water hammer arrester. Contact a plumbing professional if you are uncertain how to check for this condition.
- ▶ Do not install on hot water supply lines. The maximum operating water temperature of this filter system is 100° F (38° C).
- ▶ Protect filter from freezing. Drain filter when temperatures drop below 33°F (0.6°C).
- ▶ Change the disposable filter cartridge every six months or sooner if you observe a noticeable reduction in water flow rate.
- ▶ Failure to replace the disposable filter cartridge at recommended intervals may lead to reduced filter performance and cracks in the filter housing, causing water leakage or flooding.
- ▶ This System has been tested according to NSF/ANSI 42, 53, 401 and P473 for the reduction of the substances listed below. The concentration of the indicated substances in water entering the system was reduced to a concentration less than or equal to the permissible limit for water leaving the system, as specified in NSF/ANSI 42, 53, 401 and P473.



Multi-air-flow

The refrigerator is equipped with a multi-air-flow system, with which cool air flows are located on every shelf level. This helps to maintain a uniform temperature to ensure that your food is kept fresher for longer.



Adjustable shelves

The height of the shelves can be adjusted to fit your storage needs.

1. To relocate a shelf, remove it first by uplifting its front edge (1) and pulling it out (2).
2. To reinstall it, put it on the lugs on both sides and push it to the most rearward position until the rear of the shelf is fixed inside the slots in the sides



Notice:

Ensure that all ends of a shelf are level.

My Zone drawer

In this compartment the humidity level is lower than fridge compartment. This drawer is suitable to store fresh foods, quick cool foods, and fruits and vegetables.



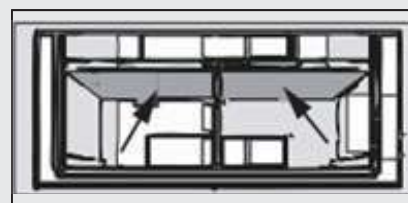
Humidity box drawer

In this compartment the humidity level is around 90%. It is controlled automatically by the system and is suitable to store fruits, vegetables, salads etc.



Notice:

- ▶ Do not remove the plastic cover inside the two zones. They maintain the humidity.
- ▶ Cold-sensitive fruits like pineapple, avocado, bananas, grapefruits are not recommended to be stored in these two drawers.
- ▶ Humidity level may be less than 90% with small amounts of vegetables, hence, large amounts of vegetables are preferred.



Switch Zone compartment

The appliance is equipped with a Switch Zone compartment. Depending on the purpose desired temperature can be chosen by degree. Setting temperature can be adjusted between -18 °C and +5 °C:

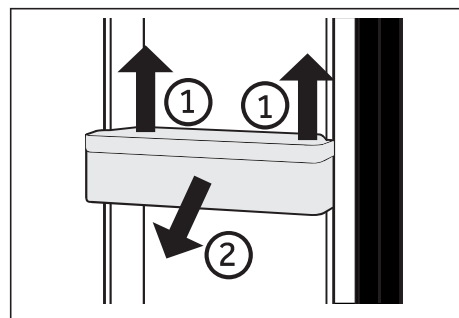


Removable Door Shelves

The door shelves can be removed for cleaning:

Place hands on each side of the rack, lift it upwards (1) and pull it out (2).

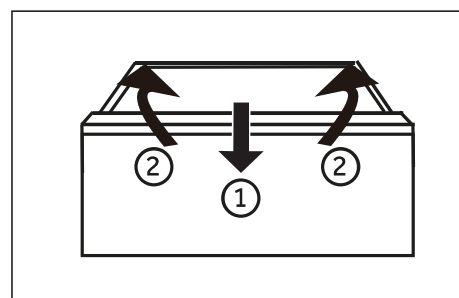
In order to insert the door shelves, the above steps are carried out in reverse order.



Removable drawer

To remove the drawer out, pull out to the maximum extent (1), lift and remove (2).

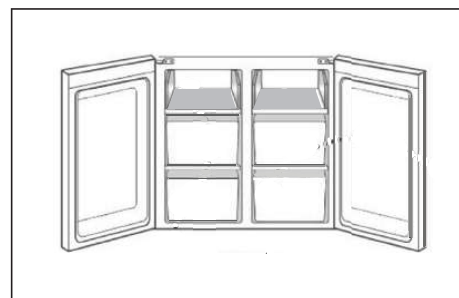
In order to insert the drawer, the above steps are carried out in reverse order.



Storing large items

Large items of e.g. frozen food can be stored after:

- ▶ removing the upper freezing tray, or
- ▶ after removing both upper freezing trays as well as the middle freezer drawer and storing the food directly on the lower freezing trays.



The Light

The LED interior light comes on when the door is opened. The performance of the lights is not affected by any of the appliances other settings.



Energy saving tips

- ▶ Make sure the appliance is properly ventilated (see INSTALLATION).
- ▶ Do not install the appliance in direct sunlight or in the near of heat sources (e.g. stoves, heaters).
- ▶ Avoid unnecessarily low temperature in the appliance. The energy consumption increases the lower the temperature in the appliance is set.
- ▶ Functions like SUPER- FREEZE consume more energy.
- ▶ Allow warm food to cool down before placing it in the appliance.
- ▶ Open the appliance door as little and as briefly as possible.
- ▶ Do not overfill the appliance to avoid obstructing the air flow.
- ▶ Avoid air within the food packaging.
- ▶ Keep door seals clean so that the door always closes correctly.
- ▶ Defreeze frozen food in the fridge storage compartment.
- ▶ The most energy-saving configuration requires the appliance keep drawers, food box and shelves on factory-fresh condition, and food should be placed as far as possible without blocking the air outlet of the duct.

**WARNING!**

Disconnect the appliance from the power supply before cleaning.

Cleaning

Clean the appliance when only little or no food is stored.

The appliance should be cleaned every four weeks for good maintenance and to prevent bad stored food odors.

**WARNING!**

- ▶ Do not clean the appliance with hard brushes, wire brushes, detergent powder, petrol, amyl acetate, acetone and similar organic solutions, acid or alkaline solutions. Please clean with special refrigerator detergent to avoid damage.
- ▶ Do not spray or flush the appliance during cleaning.
- ▶ Do not use water spray or steam to clean the appliance.
- ▶ Do not clean the cold glass shelves with hot water. Sudden temperature change may cause the glass to break.
- ▶ Do not touch the inside surface of the freezer storage compartment, especially with wet hands, as your hands may freeze onto the surface.
- ▶ In case of heating check the condition of frozen goods.



- ▶ Always keep the door gasket clean.
 - ▶ Clean the inside and housing of the appliance with a sponge dampened in warm water and neutral detergent.
1. Please scrub the interior and exterior of the refrigerator, including door sealing, door rack, glass shelves, boxes and so on, with a soft towel or sponge dipped in warm water (you may add neutral detergent into the warm water).
 2. If there is liquid spilled, remove all the contaminated parts, directly rinse with the flow water, dry and place it back into the fridge.
 3. If there is spilled cream (such as the cream, melting ice cream), please remove all the contaminated parts, put into the warm water with about 40 °C for some time, then rinse with the running water, dry and place it back into the fridge.
 4. In case some small part or component gets stuck inside of the fridge (between shelves or drawers), use small soft brush to release it. If you could not reach the part, please contact Haier service
- ▶ Rinse and dry with soft cloth.
 - ▶ Do not clean any of the parts of the appliance in a dishwasher.
 - ▶ Allow at least 5 minutes before restarting the appliance as frequent starting may damage the compressor.

Defrosting

The defrosting of the fridge and the freezer compartment are done automatically; no manual operation is needed.

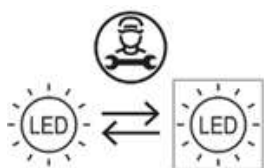
Replacing the LED-lamps



WARNING!

Do not replace the LED lamp yourself, it must only be replaced by either the manufacturer or the authorised service agent.

The lamps adopts LED as its light source, featuring low energy consumption and long service life. If there is any abnormality, please contact the customer service . See CUSTOMER SERVICE.



Replaceable (LED only) light source by a professional.

Non-use for a longer period

If the appliance is not used for an extended period of time, and you will not use the Holiday-function for the refrigerator:

- ▶ Take out the food ,empty Ice Bin.
- ▶ Unplug the power cord.
- ▶ Clean the appliance as described above.
- ▶ Keep the doors open to prevent the creation of bad odours inside.



Notice

Turn the appliance off only if strictly necessary.

Moving the appliance

1. Remove all food and unplug the appliance.
2. Secure shelves and other moveable parts in the fridge and the freezer with adhesive tape.
3. Do not tilt the refrigerator more than 45° to avoid damaging the refrigerating system.



WARNING!

- ▶ Do not lift the appliance by its handles.
- ▶ Never place the appliance horizontally on the ground.

Many occurring problems could be solved by yourself without specific expertise. In case of a problem please check all shown possibilities and follow below instructions before you contact an after sales service. See CUSTOMER SERVICE.



WARNING!

- ▶ Before maintenance, deactivate the appliance and disconnect the mains plug from the mains socket.
- ▶ Electrical equipment should be serviced only by qualified electrical experts, because improper repairs can cause considerable consequential damages.
- ▶ A damaged supply should only be replaced by the manufacturer, its service agent or similarly qualified persons in order to avoid a hazard.

Problem	Possible Cause	Possible Solution
The compressor does not work.	<ul style="list-style-type: none"> • Mains plug is not connected in the mains socket. • The appliance is in the defrosting cycle 	<ul style="list-style-type: none"> • Connect the mains plug. • This is normal for an automatic defrosting
The appliance runs frequently or runs for a too long period of time.	<ul style="list-style-type: none"> • The indoor or outdoor temperature is too high. • The appliance has been off power for a period of time. • A door of the appliance is not tightly closed. • The door has been opened too frequently or for too long. • The temperature setting for the freezer compartment is too low. • The door gasket is dirty, worn, cracked or mismatched. • The required air circulation is not guaranteed. 	<ul style="list-style-type: none"> • In this case, it is normal for the appliance to run longer. • Normally, it takes 8 to 12 hours for the appliance to cool down completely. • Close the door/drawer and ensure the appliance is located on a level ground and there is no food or container jarring the door. • Do not open the door/drawer too frequently. • Set the temperature higher until a satisfactory refrigerator temperature is obtained. It takes 24 hours for the refrigerator temperature to become stable. • Clean the door/drawer gasket or replace them by the customer service. • Ensure adequate ventilation.
The inside of the refrigerator is dirty and/or smells.	<ul style="list-style-type: none"> • The inside of the refrigerator needs cleaning. • Food of strong odour is stored in the refrigerator. 	<ul style="list-style-type: none"> • Clean the inside of the refrigerator. • Wrap the food thoroughly..
The appliance makes abnormal sounds.	<ul style="list-style-type: none"> • The appliance is not located on level ground. • The appliance touches some object around it. 	<ul style="list-style-type: none"> • Adjust the feet to level the appliance. • Remove objects around the appliance.

Problem	Possible Cause	Possible Solution
It is not cold enough inside the appliance.	<ul style="list-style-type: none"> The temperature is set too high. Too warm goods has been stored. Too much food has been stored at one time. The goods are too close to each other. A door/drawer of the appliance is not tightly closed. The door/drawer has been opened too frequently or for too long. 	<ul style="list-style-type: none"> Reset the temperature. Always cool down goods before storing them. Always store small quantities of food. Leave a gap between several foods allowing air flowing. Close the door/drawer. Do not open the door/drawer too frequently.
It is too cold inside the appliance.	<ul style="list-style-type: none"> The temperature is set too low. The Super-Frz/Super-Coolfunction is activated or is running too long. 	<ul style="list-style-type: none"> Reset the temperature. Switch off the Super-Frz/Super-Cool function
Moisture formation on the inside of the refrigerator compartment.	<ul style="list-style-type: none"> The climate is too warm and too damp. A door/drawer of the appliance is not tightly closed. The door/drawer has been opened too frequently or for too long. Food containers or liquids are left open. 	<ul style="list-style-type: none"> Increase the temperature. Close the door/drawer. Do not open the door/drawer too frequently. Let hot foods cool to room temperature and cover foods and liquids.
Moisture accumulates on the refrigerators outside surface or between the doors/door and drawer.	<ul style="list-style-type: none"> The climate is too warm and too damp. The door is not closed tightly. The cold air in the appliance and the warm air outside it condensates. 	<ul style="list-style-type: none"> This is normal in damp climate and will change when the humidity decreases. Ensure that the door/drawer is tightly shut.
Strong ice and frost in the freezer compartment.	<ul style="list-style-type: none"> The goods were not adequately packaged. A door/drawer of the appliance is not tightly closed. The door/drawer has been opened too frequently or for too long. The door/drawer gasket is dirty, worn, cracked or mismatched. Something on the inside prevents the door/drawer to close properly. 	<ul style="list-style-type: none"> Always pack the goods well. Close the door/drawer. Do not open the door/drawer too frequently. Clean the door/drawer gasket or replace them by new ones. Reposition the shelves, door racks, or internal containers to allow the door/drawer to close.
The sides of the cabinet and door strip get warm.	<ul style="list-style-type: none"> - 	<ul style="list-style-type: none"> This is normal.

Problem	Possible Cause	Possible Solution
The appliance makes abnormal sounds.	<ul style="list-style-type: none"> The appliance is not located on level ground. The appliance touches some object around it. 	<ul style="list-style-type: none"> Adjust the feet to level the appliance. Remove objects around the appliance.
A slight sound is to be heard similar to that of flowing water.	<ul style="list-style-type: none"> - 	<ul style="list-style-type: none"> This is normal.
You will hear an alarm beep.	<ul style="list-style-type: none"> The fridge storage compartment door is open. 	<ul style="list-style-type: none"> Close the door.
You will hear a faint hum.	<ul style="list-style-type: none"> The anti-condensation system is working 	<ul style="list-style-type: none"> This prevents condensation and is normal
The interior lighting or cooling system does not work.	<ul style="list-style-type: none"> Mains plug is not connected in the mains socket. The power supply is not intact. The LED-lamp is out of order. 	<ul style="list-style-type: none"> Connect the mains plug. Check the electrical supply to the room. Call the local electricity company! Please call the service for changing the lamp.
Water leaking or dripping from the water dispenser spout.	<ul style="list-style-type: none"> The water tank is not installed correctly The water dispenser spout is not screwed tight to the tank. The white silicon O ring is missing from the water spout. 	<ul style="list-style-type: none"> Refit the water tank into the fridge door, ensure it is pushed fully into the door. The water spout is screwed in firmly to the water tank. Check the water spout has a white silicon O ring at the tank end before fitting the water spout to the water tank.

Problem	Possible Cause	Possible Solution
The automatic ice-maker does not produce ice or produces a small amount of ice.	<ul style="list-style-type: none"> Do not connect the water supply pipe to the appliance and open the supply valve. The water supply hose bent. Dispensed a large amount of ice recently. Ice maker function not on. Open the appliance door frequently. The appliance door do not completely closed. 	<ul style="list-style-type: none"> Connect the water supply pipe to the appliance and open the supply valve completely. Straighten the water supply pipe. It takes approximately 24 hours to produce more ice in the automatic icemaker. Please wait. Turn "Ice on/off" on. If you open the appliance door frequently, cold air will escape, lowering the speed of ice production. Do not open and close the appliance door frequently. Close the appliance door completely.
Ice is not dispensed.	<ul style="list-style-type: none"> Cubed or Crushed function is not selected. The ice path blocked. 	<ul style="list-style-type: none"> In the control panel, select the modes for cubed ice and crushed ice alternately to dispense the ice. Check the ice and clean the ice path regularly.
Water does not come out.	<ul style="list-style-type: none"> The supply valve may be turned off. The water dispenser tank may be empty. The water supply hose bent. Use unfiltered water. Water filter clogged or filter not installed. Water in reservoir is frozen because the controls are set too cold. 	<ul style="list-style-type: none"> Open the water supply valve. Fill the water dispenser tank. Straighten the water supply pipe. Replace the water filter in advance. Replace the water filter . Set the refrigerator control to a warmer setting and wait 24 hours. If the water does not dispense after 24 hours, call for service.
Water is leaking from dispenser.	<ul style="list-style-type: none"> Air may be present in the water line system, causing water to drip after being dispensed. 	<ul style="list-style-type: none"> Dispense water for at least 3 minutes to remove air from system.
Water tastes strange.	<ul style="list-style-type: none"> The purified water or cold water not been used for an extended period of time. An expired filter is used. 	<ul style="list-style-type: none"> Dispense water for at least 3 minutes . Replace the water filter .

To contact the technical assistance, visit our website: <https://www.haier.co.nz/>
<https://www.haier.com.au/>
Under the section "website", choose the brand of your product and your country. You will be re-directed to the specific website where you can find the telephone number and form to contact the technical assistance.

Power interruption

In the event of a power cut, food should remain safely cold for about 5 hours. Follow these tips during a prolonged power interruption, especially in summer:

- ▶ Open the door/drawer as few times as possible.
- ▶ Do not put additional food into the appliance during a power interruption.
- ▶ If prior notice of a power interruption is given and the interruption duration is longer than 5 hours, make some ice and put it in a container in the top of the refrigerator compartment.
- ▶ An inspection of the goods is required immediately after the interruption.
- ▶ As temperature in the refrigerator will rise during a power interruption or other failure, the storage period and edible quality of food will be reduced. Any food that defrosts should be either consumed, or cooked and refrozen (where suitable) soon afterwards in order to prevent health risks.

Memory function during power interruption

After restoration of power the appliance continues with the settings that were set before the power failure.

Unpacking



WARNING!

- ▶ The appliance is heavy. Always handle with at least two persons.
- ▶ Keep all packaging materials out of children's reach and dispose them in an environmentally friendly manner.

- ▶ Take the appliance out of the packaging.
- ▶ Remove all packaging materials.

Environmental conditions

The room temperature should always be between 16° C and 43° C, since it can influence the temperature inside the appliance and its energy consumption. Do not install the appliance near other heat-emitting appliances (ovens, refrigerators) without isolation.

Space requirement

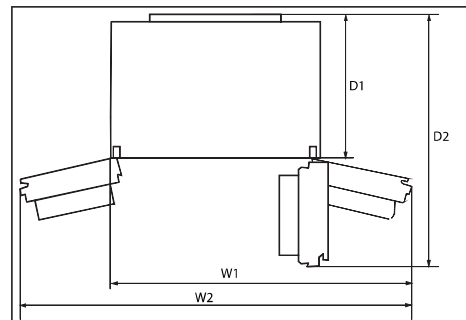
Required space when door is opened:

W1=1217 mm

W2=1528 mm

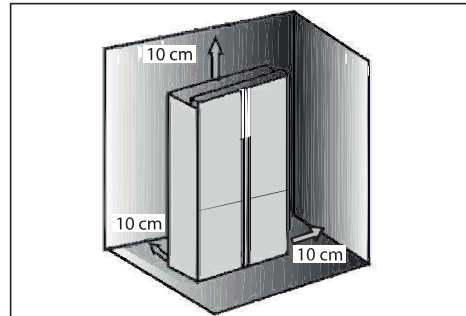
D1=629 mm

D2=1110 mm



Ventilation cross-section

To achieve sufficient ventilation of the appliance for safety reasons, the information of the required ventilation cross sections must be observed.

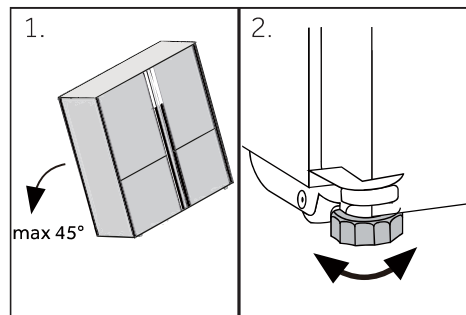


Aligning the appliance

The appliance should be placed on a flat and solid surface.

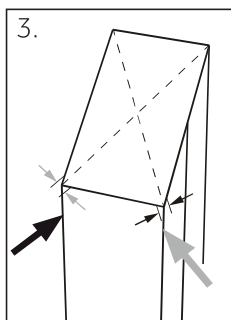
1. Tilt the refrigerator slightly backwards.
2. Set the feet to the desired level.

Make sure the distance to the wall on the hinge side is at least 10 cm for the door to open properly.

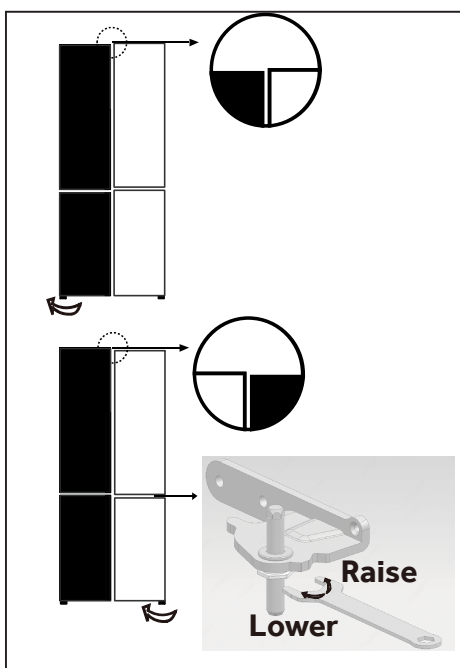


Notice:

For a free standing appliance: this refrigerating appliance is not intended to be used as a built-in appliance



3. The stability can be checked by alternately bumping on the diagonals. The slightly swaying should be the same in both directions. Otherwise the frame can warp; possible leaking door seals are the result. A low tendency to the rear facilitates the closing of the doors.



Fine tuning of the doors

If the doors are not in one level, this mismatch can be remedied by following:

Using adjustable foot

Rotate the adjustable foot according to the direction of arrow to turn up or down the foot.

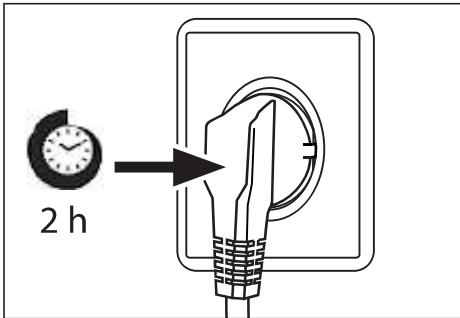
Using adjustable hinge

You can adjust the height of the door by using a thin wrench with a 17mm opening via adjusting the nut at the bottom of the adjustable hinge. Turn the nut clockwise to lower the PC door height and turn the nut counterclockwise to raise the PC door height. Contact customer service if needed.



Notice:

In the future use of refrigerator, doors uneven phenomenon may occur to the weight of stored food. Then please adjust according to the above methods.



Waiting time

To the maintenance-free lubrication oil is located in the capsule of the compressor. This oil can get through the closed pipe system during slanting transport. Before connecting the appliance to the power supply you have to wait at least 2 hours so that the oil runs back into the capsule.

Electrical connection

Before each connection check if:

- ▶ power supply, socket and fusing are appropriate to the rating plate.
- ▶ the power socket is earthed and no multi-plug or extension.
- ▶ the power plug and socket are strictly according.

Connect the plug to a properly installed household socket.



WARNING!

To avoid risks a damaged power cord must be replaced by the customer service (see warranty card).

Ice and Water and Automatic Ice models

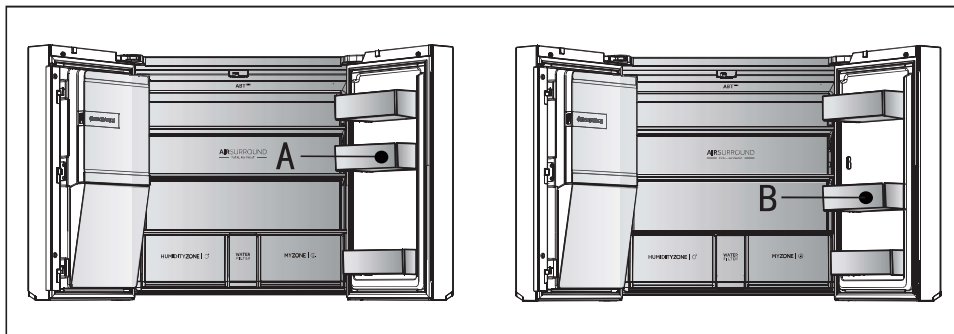
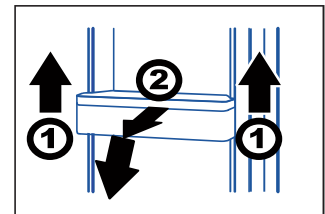
- ▶ Your Ice and Water and Automatic Ice refrigerator must be installed by a qualified plumber or Haier trained and supported service technician as incorrect plumbing can lead to water leaks.
- ▶ Haier appliances does not accept responsibility for damage (including water damage) caused by faulty installation or plumbing.



Notice:

Remove the door bins from position A and install in position B before first using.

- ▶ Holding the front edge of the bins with one hand and taping the bottom of the bins alternately in the direction of arrow 1 with the other hand. After the bins are out of the door body, rotate forward and downward in the direction of arrow 2 to take it out and install it in position B.



WARNING!

- ▶ Only connect to drinking water supply. The water filter only filters impurities in the water and makes ice clean and hygienic. It cannot sterilize or destroy germs or other harmful substances.
- ▶ Too high water pressure in the hose can damage the appliance. Install a pressure reducer when the water pressure in the hose exceeds 0.6 MPa.
- ▶ Before connection, check whether the water is clean and clear.

Trade mark	Haier
Model No.	HRF680YZC/ HRF680YZS
Category of the model	Cooled Appliance
Voltage / Frequency	220V-240V~/50Hz
Energy Star	4 Stars
Frostfree system	Yes
Product group	5T
Total product volume	601L
Fresh food compartment volume	323L
Freezer compartment volume	131L
Convertible compartment volume	135L
Climate class	T
Rrefrigerant	R600a 75g
Insulation blowing gas	CYCLOPENTANE
Dimension (DxWxH)	750x908x1775mm
Protection class	I
Zero-star compartment Volume	12L









Haier