

NOIROT SPOT PLUS PRO



Electric Convection Panel Heater

Model with Wi-Fi

Distributed by Olimpia Splendid Australia Pty Ltd.

**Operating & Installation
Instructions**



In Order To Qualify For Your Lifetime Warranty

Please Visit our Website and complete the Online Registration

Visit us at www.olimpiasplendid.com.au

TABLE OF CONTENTS

	Page
1. Safety.....	3
2. Installation.....	5
3. Basic Controls.....	9
4. Advanced Menu Overview.....	10
5. Maintenance.....	11
6. Specifications.....	11
7. Warning.....	11
8. Warranty.....	12

APPLICATION DOWNLOAD AND WI-FI OPERATION

Scan the QR Code below to access the latest owner's manual. The manual contains instructions for downloading the WIFI application and controlling the heater via your smart device.



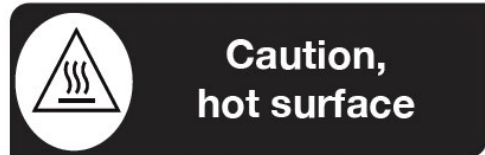
How to scan QR codes

- Open the camera on your smart device
- Hold the camera over the QR code until a code appears.
- Press the code to access the owner's manual.

1. SAFETY

Read the Installation and User Guide(*), especially the safety instructions below.

WARNING - Certain parts of this product may become very hot and may cause burns. Pay extra attention to small children and vulnerable people when they are around the heater.



This heater may be used by children aged 8 and over and by persons with reduced physical, sensory or mental capacity or without any experience or knowledge providing they are correctly supervised, or they have been given instructions on how to use the heater safely and they clearly understand the potential hazards. Children must not play with the heater. Children must not perform user cleaning and maintenance.

Ensure children aged under 3 are kept at a safe distance unless they are under constant supervision.

Children aged between 3 and 8 may only turn the heater on or off providing it has been placed or installed in the normal position for its operation and providing they are under supervision, or they have been given instructions on how to use the heater safely and clearly understand the potential hazards.

Children aged between 3 and 8 must not plug in, change the heater settings, clean or perform any user maintenance on the heater.

Do not insert anything into the heater.

The heater may only be connected by a qualified person after the power has been switched off.

All service operations must be performed by a qualified and authorised person after the power has been switched off.

Electrical supply in the fixed wiring must include means for disconnection in accordance with the wiring rules.

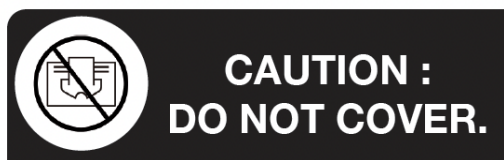
The heater must not be installed underneath a power socket.

1.1 SAFETY

The power supply must be protected by a residual current device of at least 30 mA, especially when installed in a room with a bath or shower.

If the power supply cable is damaged, it must be replaced by the manufacturer, its after-sales service or a person with similar qualifications in order to prevent any potential hazards.

The heater risks overheating if it is covered. The following logo reminds users of this risk.



It is therefore strictly forbidden to cover or block the air intakes or outlets at the risk of causing an accident or damaging the heater.

Comply with the minimum installation distances from floors, walls, furniture, etc.

When installing the heater in bathrooms, it must comply with local regulations.

Avoid installing the heater in a draught which may otherwise affect its thermostat control.

This direct electric heater is designed for ambient heating of residential type rooms, or similar, in new or existing, single and multi-unit dwellings.

Do not use this heater in the immediate surroundings of a bath, a shower or a swimming pool.

Do not use this heater if it has been dropped.

Do not use if there are visible signs of damage to the heater.

Use this heater on a horizontal and stable surface on castors, or fix it to the wall, as applicable.

Do not use this heater in small rooms when they are occupied by persons not capable of leaving the room on their own, unless constant supervision is provided.

To reduce the risk of fire, keep textiles, curtains, or any other flammable material to a minimum distance of 1m from the air outlet.

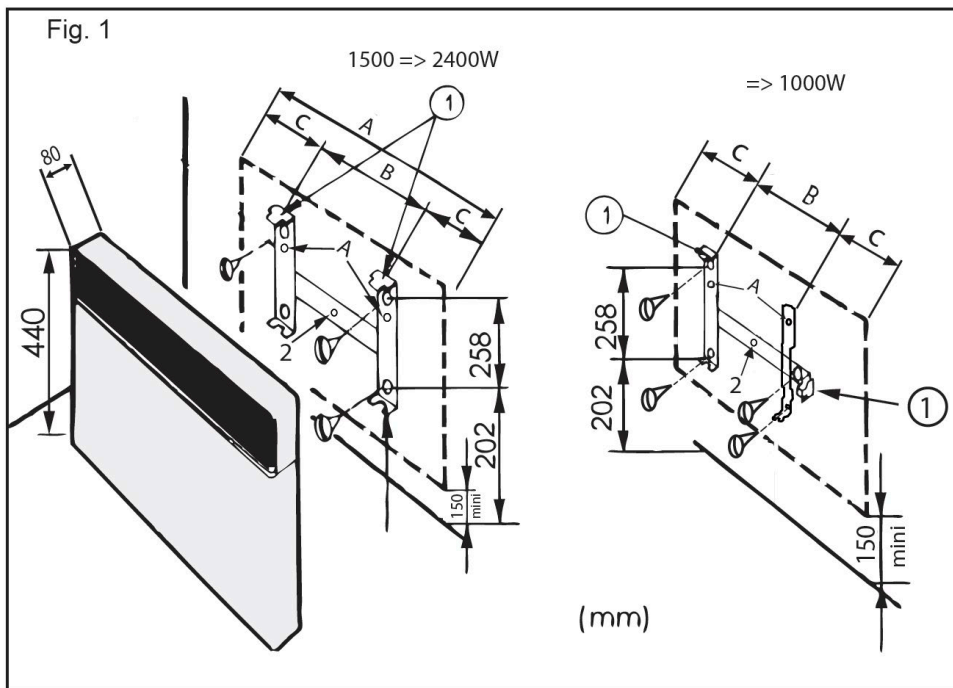
(*) These instructions were correct at the time of the heater's manufacture and comply with the standards applicable as at that date. The company reserves the right to modify the Installation and User Guide at any time in order to take into account any new standards or changes to existing standards.

2. INSTALLATION

RECOMMENDATION FOR WALL INSTALLATION

This heater is sold ready for DIY installation, with wall bracket and flexible cord supplied. To remove the wall bracket from the heater you need to push down on the spring-loaded clips located at the top of the bracket. This can be done by using your fingers or, if preferred, a screwdriver (No: 1 Fig.1). Fit the wall bracket to the wall with suitable fixing method according to the surface you mount the heater on (note: fixings not included). Place the heater on to the bracket and clip into position.

Note: To centre your appliance laterally on the wall, use the hole marked 2.

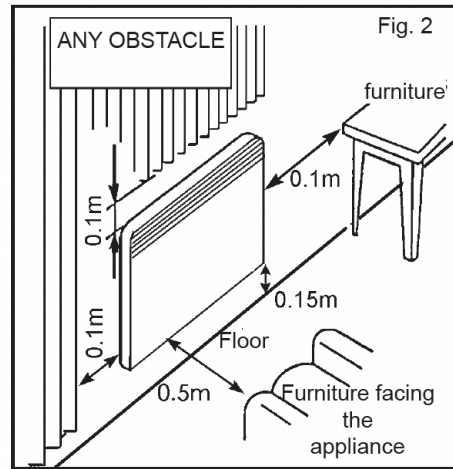


Model	Power (W)	Height (mm)	A (mm)	B (mm)	C (mm)
7358-3TPRO	1000	440	420	208	106
7358-5TPRO	1500	440	580	178	201
7358-7TPRO	2000	440	745	320	210
7358-8TPRO	2400	440	900	405	248

The heater must not be located immediately below a socket outlet (as per requirement of Clause 7.12 of AS/NZS 60335.2.30).

2.1 INSTALLATION

For maximum efficiency, this heater is to be wall mounted between a minimum height of 100mm and a maximum height of 150mm off the floor. This is to allow the necessary volume of air to flow freely through the vents. It is also important to allow a minimum of 100mm clearance at the top and sides of the heater and 500mm from the front (Fig. 2) so as not to force the air back into the heater and activate the Over Temperature Safety Thermal Cut-Out Switch.



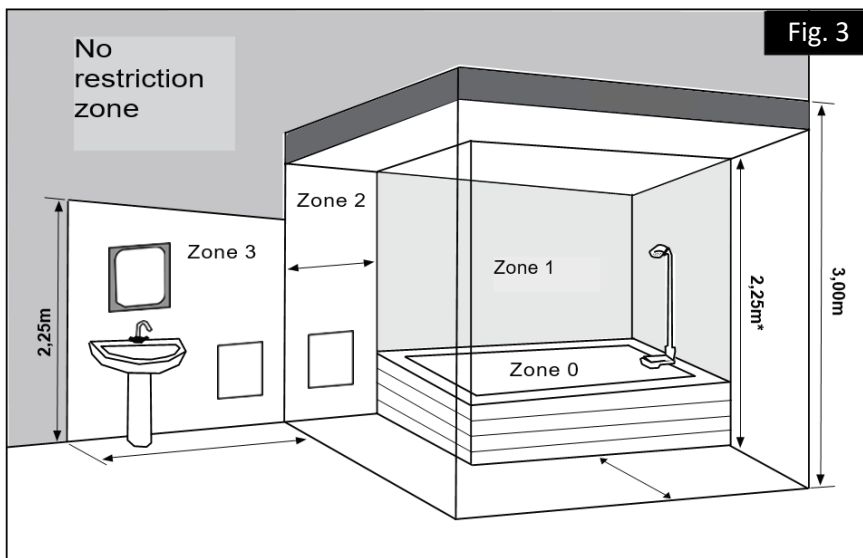
WARNING: IN ORDER TO AVOID OVERHEATING, DO NOT COVER THE HEATER



If the “Over Temperature Safety Thermal Cut-Out Switch” is activated, the heater will automatically switch off to limit the temperature to a safe value. To reset the thermal cut-out, simply switch the heater off, unplug it from the power point and remove the obstruction(s). Plug the heater back in and switch it on. The thermal cut-out switch will reset after a few minutes and the heater will function normally.

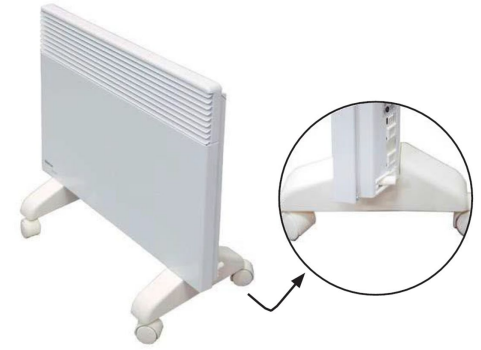
PANEL LOCATIONS

This heater is IPX4 rated and suitable for use in all rooms including Zone 2 in Bathrooms (Fig.3) in accordance with AS/NZS 3000: 2018 (Wiring Rules). This heater is double insulated and does not require earthing, **for use in the bathroom it must be located so that the controls cannot be touched by a person in the bath or shower.**



2.2 INSTALLATION

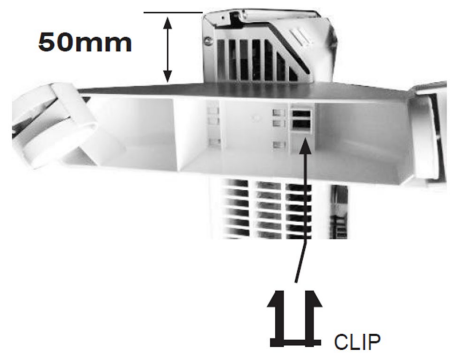
INSTRUCTIONS FOR MOUNTING CASTORS ON THE HEATER



Please follow these instructions.

1. For maximum stability, space castors at 50mm from the edge of the base as shown

2. To lock castors into place, insert the black clips provided through the bottom of the castors into the base of the heater



Note: This heater is tested and approved for use with the optional "Easy Glide Castors". Please follow the fitting instructions (supplied with the castors) closely, ensuring the BLACK CLIPS are correctly installed. Note that once the BLACK CLIPS are fixed into position, the castors CANNOT be removed without breaking them.

WARNING: DO NOT use the heater on the floor without the "Easy Glide Castors".

2.3 INSTALLATION

ELECTRICAL CONNECTION

This heater is fitted with an Australian Approved Flexible Cord and Plug. For wall-mounted installations connection can be either by plugging into an existing 10amp power point (DIY) or direct wired by a Licensed Registered Electrical Contractor, who is required to issue a Certificate of Electrical Safety.

PLEASE NOTE:

For safety reasons the Flexible Cord must not be modified or repaired in any way. If there are any concerns, contact Olimpia Splendid Pty Ltd on 1 300 664 768 before plugging in.

IMPORTANT:

DO NOT PLUG HEATER INTO A POWER BOARD, DOUBLE ADAPTOR OR EXTENSION LEAD.



USING YOUR HEATER FOR THE FIRST TIME

Remove the heater from its packaging (please dispose of packaging responsibly). Contents should be as follows:

- 1.Heater
- 2.Wall bracket (pre-attached to the back of the heater)
- 3.Instructions for installation and use (booklet)
- 4.Castors (Note: not included with Evolution models)

Ensure the heater is correctly mounted on the wall or fitted to the castors prior to turning it on. Remove the white plastic protective covers from the plug pins and insert the plug into the wall socket.

NOTE: When first turning on your new heater, we recommend doing so in a large, open space or ventilated room for a few minutes to allow the “new heater smell” to dissipate. It is also common for the heater to emit vapour from the vents during this initial process and shouldn’t last for more than 2-3 minutes. If it should persist, switch the heater off and have it inspected.

Noirot is distributed by Olimpia Splendid. For additional Support, please go to: www.olimpiasplendid.com.au

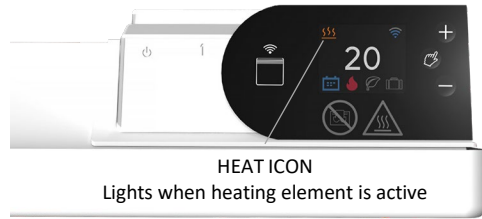
3. BASIC CONTROLS

ON | OFF SWITCH



Slide the switch located in the back of the panel to the '1' position.

ADJUST TEMPERATURE



Press the **+** button to increase the temperature and the **-** button to decrease the temperature.

MODE SETTINGS



MODE SELECT: Choose modes and access advanced menu



COMFORT MODE: Adjustable between 7C and 32C



ECO MODE: Adjustable between 7C and 32C



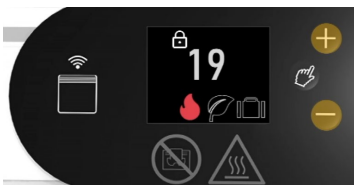
AWAY MODE: Fixed 7C (Not Adjustable)



STAND BY MODE: The heater is not on

CHILD SAFETY LOCK

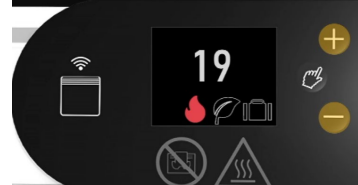
Press and hold the **+** and **-** buttons simultaneously for three seconds to engage. Repeat operation to disable.



Hold **+** and **-** until lock appears in the display






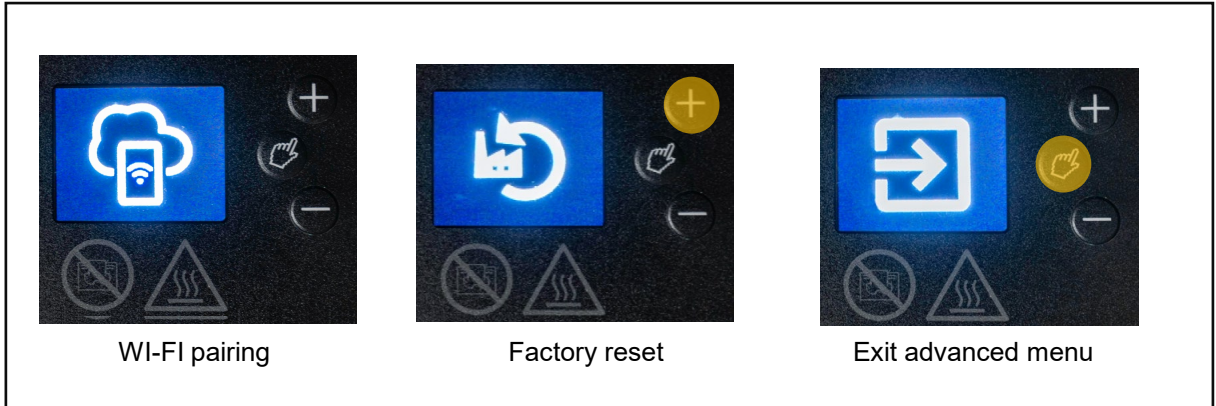
Controls will be disabled. A large lock will appear in the display



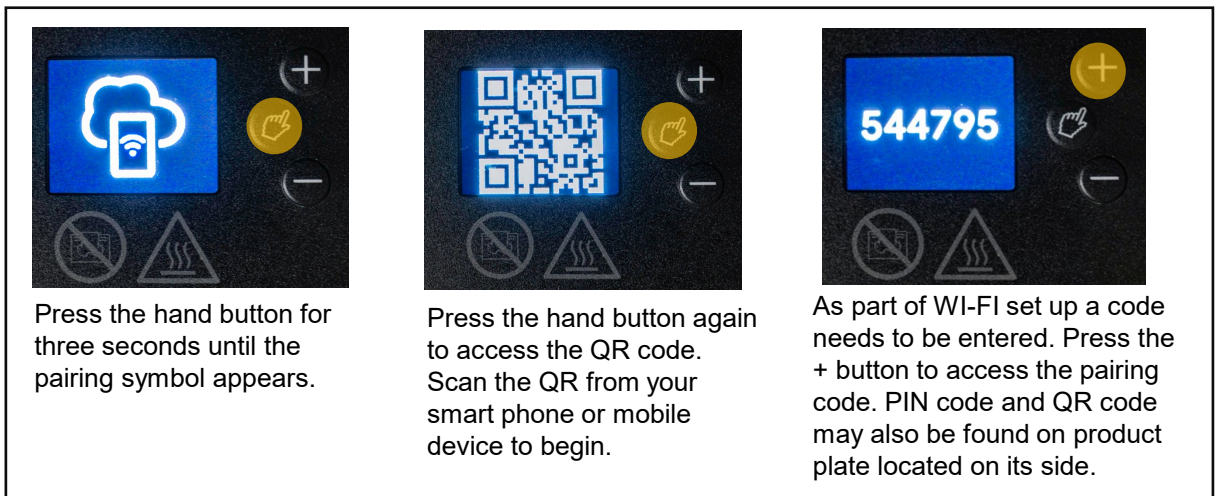
Press and hold **+** and **-** until lock icon disappears to disengage child lock

4. ADVANCED MENU OVERVIEW

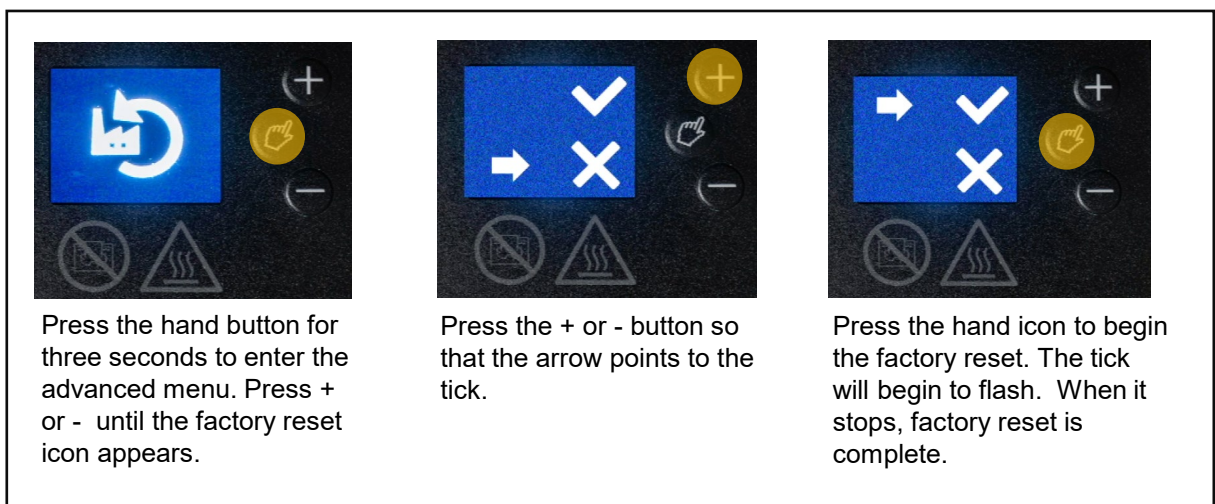
Press the  icon for three seconds to access the advanced menu. Press  or  to scroll through menu options.



WI-FI SET UP ACCESS



HEATER RESET



5. MAINTENANCE

Your Noirot Electric Panel Heater requires very little maintenance. To remove surface dust use a soft cloth; to remove marks use a damp cloth. Never use abrasives or metal scourers which could damage the polyester coating. It is recommended to periodically clean the front and under carriage air vents using the soft brush on your vacuum cleaner, as dense accumulation of dust will cause the heater to over-heat and trigger the safety thermal cut-out switch.

6. SPECIFICATIONS

Models	Power (W)	Current (A)	Height (mm)	Width (mm)	Depth (mm)
7358-3TPRO	1000	4.2	440	420	80
7358-5TPRO	1500	6.3	440	585	80
7358-7TPRO	2000	8.3	440	745	80
7358-8TPRO	2400	10.0	440	900	80

7. WARNING

Do not use this heater if it has been dropped.

Do not use if there are visible signs of damage to the heater.

Use this heater on a horizontal and stable surface on castors, or fix it to the wall, as applicable.

Do not use this heater in small rooms when they are occupied by persons not capable of leaving the room on their own, unless constant supervision is provided.

To reduce the risk of fire, keep textiles, curtains, or any other flammable material to a minimum distance of 1m from the air outlet

During operation it is normal for the power plug to become warm, especially for the larger 2000 watt and 2400 watt models. If the power plug seems excessively hot to touch, ensure that the heater is being used in a room no larger than the recommended size or that the plug is not sitting loosely in the wall socket (older wall sockets can wear and become loose over time and cause extra heat to build up). If unsure, contact our office for advice.

8. WARRANTY REGISTRATION

IMPORTANT: To validate your product warranty, you are required to do the following:

1. Register your product online at olimpiasplendid.com.au, click on “Product Registration” and fill out the required fields.
2. You must also retain your receipt of purchase

WARRANTY CONDITIONS

Your Noirot Spot Plus electric panel heaters come with a **LIFETIME WARRANTY**, therefore any replacement of faulty parts or repairs of any kind must be carried out by a qualified person and authorised by Olympia Splendid (AU/NZ) or their approved representative. Failure to do so will **VOID** the

WARRANTY.

- Olympia Splendid (AU/NZ) reserves the right to reject any warranty claim deemed to be false. Retailers must have warranty claims authorised by a representative of Olympia Splendid (AU/NZ).
- Olympia Splendid (AU/NZ) reserves the right to review and reject any warranty claims due to changes in technology

If you believe your product to be faulty and under warranty you are required to do the following:

1. Return the product, at your expense, to the place of purchase for assessment by an authorised representative of Olympia Splendid (AU/NZ).
2. This may require leaving the product at the place of purchase.
3. If the product is deemed faulty and under warranty, the place of purchase of the product will order a replacement heater to which Olympia Splendid (AU/NZ), at our cost, will deliver the heater to the place of purchase.
4. The consumer will then be required, at their cost, to pick up the replacement heater from the place of purchase.
5. If the heater is faulty but not deemed to be under warranty, an explanation will be provided to the consumer and that the faulty heater can be picked up by the customer from the place of purchase.
6. Castors are a bonus item and have a 6-month warranty. Replacement castors can be purchased in-store or online.

Our goods come with guarantees that cannot be excluded under the AU/NZ Consumer Law. You are entitled to a replacement or refund for a major failure and for compensation for any other reasonably foreseeable loss or damage. You are also entitled to have the goods repaired or replaced if the goods fail to be of acceptable quality and the failure does not amount to a major failure.

If you have any queries regarding your product or its warranty please contact:

Olimpia Splendid Australia Pty Ltd
80-84 Burlington St
Oakleigh Victoria 3166
Australia
P: 1 300 664 768
E: sales@olimpiasplendid.com.au

Olimpia Splendid New Zealand Pty Ltd
C / Key Service Ltd 34A Cryers Road.
East Tamaki, Auckland 2013
New Zealand
P: (09) 916-0960
E: sales@olimpiasplendid.co.nz