

INSTRUCTIONS FOR USE

warming drawer

EN

ODW51BG

ODW61SS

ODW61GS

ODW61BS


Contents

Pictograms used	3	Preparation	11
Safety regulations	4	Appliance dimensions	11
Use	6	Built-in dimensions	11
Operation	7	Built-in	12
Warming time	8	Environmental aspects	13
Installation	9	Disposal of the appliance and packaging	13
Safety	9		


The following symbols are used throughout the manual, and they have the following meanings:

 INFORMATION!


Information, advice, tip or recommendation

 WARNING!


Warning – general danger

 ELECTRIC SHOCK!

Warning – danger of electric shock

 HOT SURFACE!


Warning – danger of hot surface

 DANGER OF FIRE!

Warning – danger of fire

It is important that you carefully read the instructions.

Safety regulations

 WARNING!

READ CAREFULLY AND KEEP IT FOR FUTURE REFERENCE!


EU

 WARNING!

This appliance and the accessible parts will become hot during use. Do not touch hot parts. Keep children younger than 8 away from the appliance unless they are under continuous supervision.


- This appliance can be used by children aged from 8 years and above and persons with reduced physical, sensory or mental capabilities or lack of experience and knowledge if they have been given supervision or instruction concerning use of the appliance in a safe way and understand the hazards involved.
- Children shall not play with the appliance. Cleaning and user maintenance shall not be made by children without supervision.
- Never use a steam cleaner for cleaning the appliance. Only clean the appliance when switched off. The steam of a steam cleaner could reach the conducting parts and cause an electrical short.
- Always disconnect the appliance from the supply if it is left unattended and before assembling, disassembling or cleaning.
- A defective appliance may cause electric shock. Never switch on a defective appliance. Disconnect it and contact customer service.
- Improper installation and maintenance work or repairs are dangerous. Do not touch any conducting connections and do not change the electrical and mechanical design of the appliance. These may only be performed by authorized and trained technicians. If the appliance has a defect, please disconnect it and contact customer service.
- Do not operate the appliance with wet hands or in contact with water.
- This appliance is intended to be used in household only.

- The appliance must not be installed behind a decorative door in order to avoid overheating.
- The appliance and its accessible parts become hot during use. Care should be taken to avoid touching heating elements.

 ELECTRIC SHOCK!

WARNING: If the surface is cracked, switch off the appliance to avoid the possibility of electric shock.

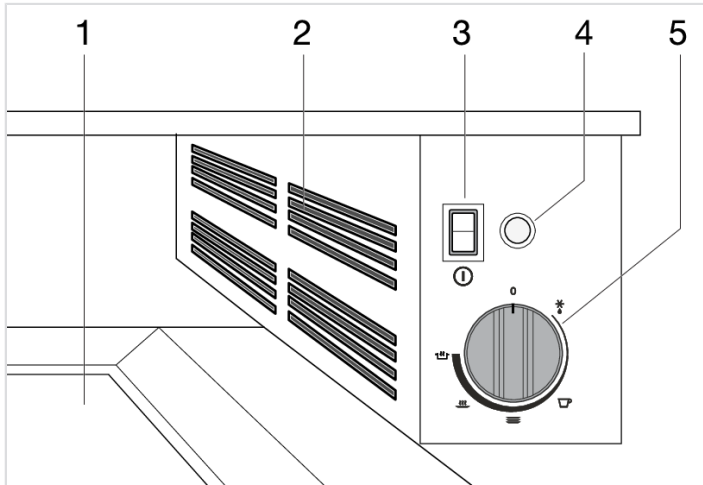
AU/NZS

 WARNING!

Accessible parts may become hot during use. Young children should be kept away.

- This appliance is not intended for use by persons (including children) with reduced physical, sensory or mental capabilities, or lack of experience and knowledge, unless they have been given supervision or instruction concerning use of the appliance by a person responsible for their safety.
- Children should be supervised to ensure that they do not play with the appliance.

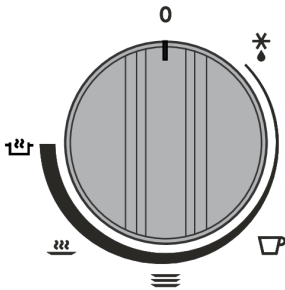
Use



1. Anti-slip mat
2. Fan and heating
3. On/off switch
4. Indicator light
 - *Flashes if the appliance is switched on.*
 - *Lights up if the appliance is switched on and the drawer is closed.*
5. Dial for setting the temperature.
 - The temperature set is the temperature of the hot plate at the bottom of the drawer when the drawer is empty. Measurements using an external thermometer can vary and are not suitable for checking the temperature precisely.
 - The appliance will only heat up when the drawer is closed.

The drawer has an ON/OFF and temperature regulation dial. This dial is only visible when the drawer is open. When the drawer is closed, the indicator light on the front shows whether the appliance is switched on.

1. Place the crockery or plates with food in the drawer.
2. Set the desired temperature.
 - The 'appliance on' indicator will flash.
 - Use the temperature knob to set a temperature between 30 °C and 80 °C.
3. Close the drawer.
 - The 'appliance on' indicator will light up.



Icon	Temperature	Function	Application
0	0	Off	-
❄️ 💧	30 °C	Defrosting	For defrosting food. Allowing dough to rise.
	40 °C	Defrosting	
☕	50 °C	Warming cups and glasses.	Warming coffee cups.
≡	60 °C	Warming crockery.	Warming plates and dishes. Keeping food warm (eggs, bread).
⋈	70 °C	Keeping food warm.	Keeping food warm (meat, fish, vegetables).
⋈ ☑️	80 °C	Keeping warm and Heating up	Keeping food warm and reheating.

⚠️ WARNING!

A protective grille prevents contact with the elements and the fan.

Operation

Warming time

The warming time for tableware depends on several factors:

- Material and thickness of the tableware.
- Fill level.
- Distribution of the load.
- Temperature control.

This means that it is not possible to give precise data in advance.

A few recommendations:

Even warming at a temperature of 60 °C will take:

- approximately 30 mins for crockery for a meal for six people.
- approximately 40 mins for crockery for a meal for twelve people.

You will learn from experience which timing suits your crockery best.

Safety

- If the supply cord is damaged, it must be replaced by the manufacturer, its service agent or similarly qualified persons in order to avoid a hazard.
- This appliance should only be connected by a registered installer!
- The electrical connection must comply with national and local regulations.
- The wall plug socket and plug should always be accessible.
- If you want to make a fixed connection, make sure that a omnipolar switch with a contact separation of at least 3 mm is fitted in the supply cable.
- If a stationary appliance is not fitted with a supply cord and a plug, or with other means for disconnection from the supply mains having a contact separation in all poles that provide full disconnection under overvoltage category III conditions, the instructions shall state that means for disconnection must be incorporated in the fixed wiring in accordance with the wiring rules.
- **WARNING:** Never open the appliance casing. The casing may only be opened by a service technician.
- Prior to connecting the drawer, ensure that all cables in your home's electrical system are of sufficient diameter to supply the appliance properly.
- Complete all electrical connections before building in the appliance.
- Improper installation and maintenance work or repairs are dangerous. These may only be performed by authorized and trained technicians. If the appliance has a defect, please disconnect it and contact customer service.
- If the appliance is mounted behind a furniture front (e.g. a door), never close it while the appliance is in use. Heat and humidity accumulate behind a closed furniture front. This may damage drawer, cupboard and floor.
- Only use original replacement parts. These meet the required safety specifications.
- Please note that the appliance must not be mounted tilted or upended. The design of the appliance includes an oil-containing pump. Please refer to the installation instructions.
- The manufacturer cannot be held liable for any damage resulting from failure to follow the safety instructions and warnings.

Electrical connection

- This appliance is manufactured in Class I; this means the device must be grounded.
- **For AU/NZS:** Means providing full disconnection under overvoltage category III conditions must be incorporated in the fixed wiring in accordance with AS/NZS 3000.
- Check whether the power of the electrical mains corresponds to the power on the identification plate on the appliance.
- Before connecting to the electrical mains, check whether the power socket is grounded.
- The device is equipped with a plug. When installing the appliance, remember that this plug must remain accessible.

This warming drawer is designed for use by individuals in their home. It is only intended for pre-warming tableware, keeping food warm and slow cooking. Any other use is prohibited and may be dangerous. The manufacturer disclaims liability in the event of improper use.

Installation

Under certain conditions, the outside of the warming drawer may reach 70 °C (depending on the selected temperature and length of use). Always use oven mitts or gloves to remove the warmed tableware from the drawer.

WARNING!

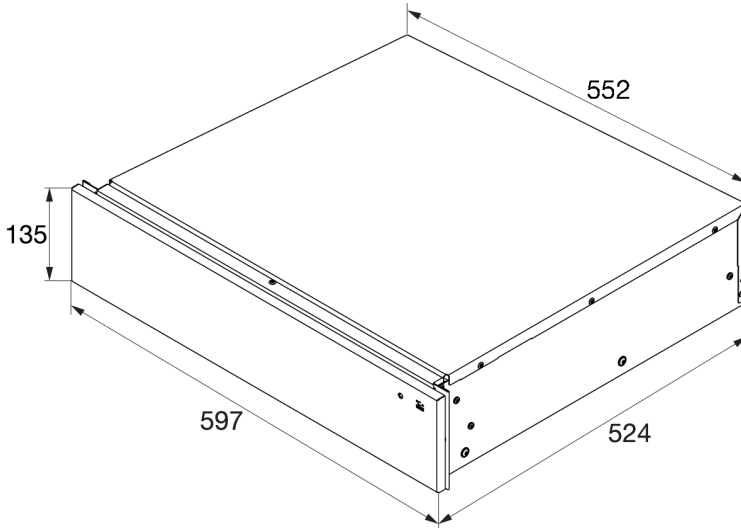
If a stationary appliance is not fitted with a supply cord and a plug, or with other means for disconnection from the supply mains having a contact separation in all poles that provide full disconnection under overvoltage category III conditions, the means for disconnection must be incorporated in the fixed wiring in accordance with the wiring rules. This is also applicable for appliances with a supply cord and plug when the plug is not accessible after installing the appliance. Using an omnipolar switch with a contact separation of at least 3 mm fitted in the fixed wiring will fulfil this requirement.

Prior to connecting the drawer, ensure that all cables in your home's electrical system are of sufficient diameter. Your system should be protected by a 10-amp fuse.

Preparation

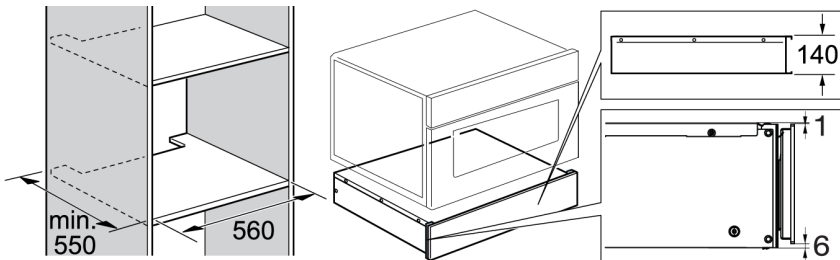


Appliance dimensions



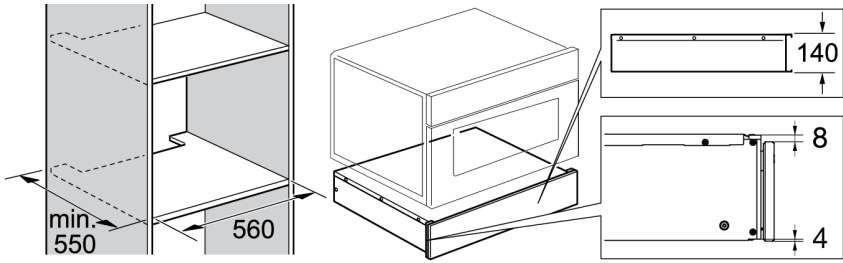
Built-in dimensions

ODW51

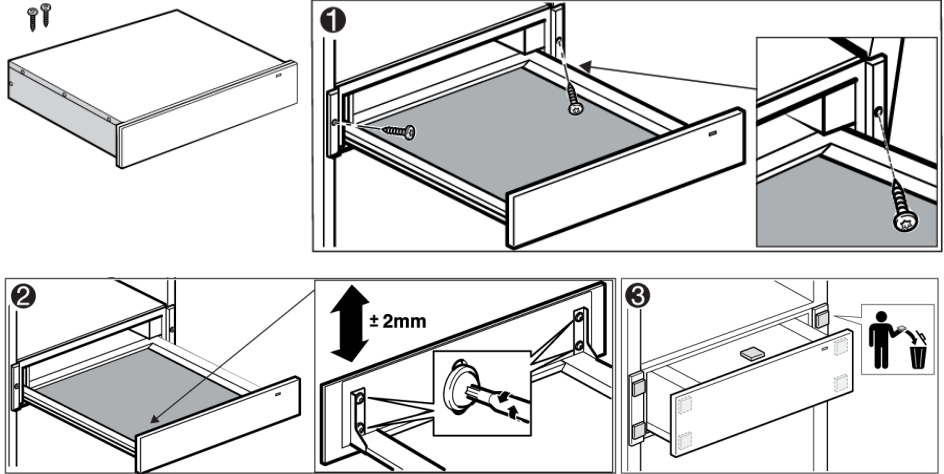


Installation

ODW61



Built-in



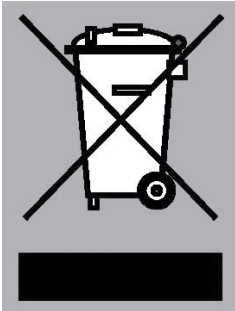
Disposal of the appliance and packaging

Sustainable materials have been used during the manufacture of this appliance. This appliance must be disposed of responsibly at the end of its service life. Ask your local authorities for more information about how to do this.

The appliance packaging is recyclable. The following may have been used:

- cardboard;
- polyethylene film (PE);
- CFC-free polystyrene (PS rigid foam).

Dispose of these materials in a responsible manner and in accordance with government regulations.



The product has been marked with a crossed-out dustbin symbol to remind you of the obligation to dispose of electrical household appliances separately. This means that the appliance may not be included with normal domestic refuse at the end of its service life. The appliance must be taken to a special municipal centre for separated waste collection or to a dealer providing this service.

A separate collection of household appliances helps to prevent any potential negative impact on the environment and on human health caused by improper disposal. It ensures that the materials of which the appliance is composed can be recovered to obtain significant savings in energy and raw materials.

NOTE!

Please note! Do not throw a broken ceramic glass plate in the glass recycling bin but take this to the Municipality's waste recycling centre.



Declaration of conformity

We hereby declare that our products satisfy the applicable European directives, orders and regulations, as well as the requirements stated in the referenced standards.

The appliance identification card with QR-code is located on the bottom of the appliance.

Stick the appliance identification card with QR-code here.

 **ASKO**
Inspired by Scandinavia

www.asko.com



945119-a1



We reserve the right to make changes.