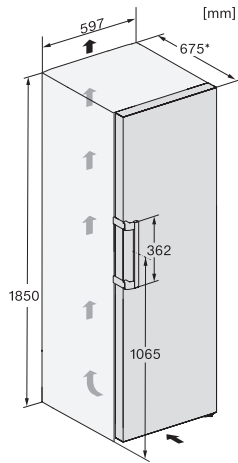
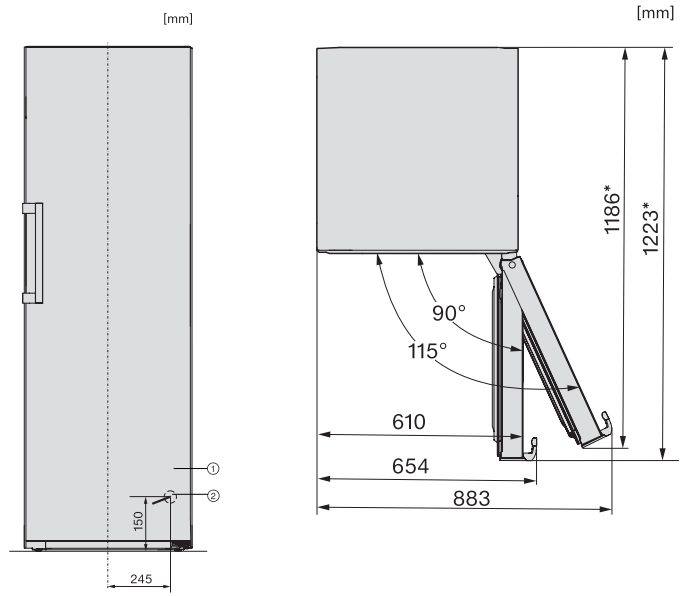


KS 4783 ED



Appliance category	
Refrigerator	•
Construction type	
Freestanding appliance	•
Door hinge side/Convertible hinging/Can be installed side-by-side	Right/•/•
Design	
Casing colour	Stainless steel
Front colour	BlackSteel
Refrigeration section lighting	LED
User convenience	
Freshness system	DailyFresh
DynaCool	•
SoftClose	•
ComfortClean	•
Active AirClean filter	-
Door opener	EasyOpen lever handle
Controls	
Operating concept	SensorTouch
Fridge compartment can be switched off	-
SuperCool	•
No. of temperature zones	1
Sabbath mode	•
Party mode/Holiday mode	•/•
Fridge/Fridge section	
Number of shelves/of which illuminated	6/0
Chrome-plated metal bottle rack	•
No. of vegetable drawers	-
No. of crisper drawers	2
Full-width door shelves	3
Door rack for bottles	2
Efficiency and sustainability	
Energy efficiency rating	6
Annual energy consumption in kWh/year	115
Safety	
Lock function	-
Audible door alarm/Audible temperature alarm	•/-
Optical door alarm/Optical temperature alarm	•/-
Technical data	
Appliance dimensions in mm (W x H x D)	600 x 1850 x 675
Refrigerator zone/PerfectFresh zone/Freezer zone in l	399/-/-
Total volume (l)	399
Sound power in dB(A) re1pW	35
Voltage in V/Fuse rating in A/Current consumption in mA	220 – 240/10/1200
Appliance networking	
Miele@home / WiFi Conn@ct	•/•

KS 4783 ED



FNS 4782 E



Appliance category	
Freezer	•
Construction type	
Freestanding appliance	•
Door hinge side/Convertible hinging/Can be installed side-by-side	Left/•/•
Design	
Casing colour	Stainless steel
Front colour	BlackSteel
Freezer compartment lighting	-
User convenience	
NoFrost	•
SoftClose	•
ComfortClean	•
Door opener	EasyOpen lever handle
Controls	
Operating concept	SensorTouch
SuperFreeze	•
Freezer/freezer section	
Number of freezer drawers/including XXL box	7/1
Efficiency and sustainability	
Energy efficiency rating	5.5
Annual energy consumption in kWh/year	178
Safety	
Lock function	-
Audible door alarm/Audible temperature alarm	•/•
Optical door alarm/Optical temperature alarm	•/•
Technical data	
Appliance dimensions in mm (W x H x D)	600 x 1850 x 675
Freezer compartment in l	278
Sound power in dB(A) re1pW	37
Storage time in case of fault/Freezing capacity in kg/24 h	20/20.0
Voltage in V/Fuse rating in A/Current consumption in mA	220 – 240/10/1300
Appliance networking	
Miele@home / WiFi Conn@ct	•/•

FNS 4782 E

