

# Integrated Column Freezer, 76cm, Ice

Series 11 | Integrated

Panel Ready | Right Hinge

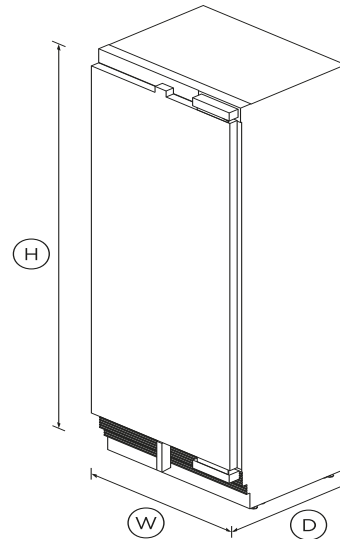


Install it separately or pair with another Column for true design freedom - this model is right hinge with stainless steel interior.\*

- Customise with your own kitchen cabinetry or purchase our stainless steel door panel accessory
- ActiveSmart™ technology helps keep food fresher for longer by constantly maintaining the ideal temperature.
- Variable Temperature Zone lets you change a compartment to Freeze, Soft Freeze or Deep Freeze for optimal storage
- Internal ice maker with boost feature for busy times

## DIMENSIONS

Height	2134mm
Width	756mm
Depth	610mm



## FEATURES & BENEFITS

### VARIABLE TEMPERATURE ZONES

There's more than one way to freeze food, and different freezing temperatures and techniques affect food care - and your levels of convenience - in different ways. Optimal freezing is a question of what you're storing, how fresh it is, and when you plan to consume it. Change a compartment to Soft Freeze to enjoy maximum everyday convenience, or to Freeze Mode or Deep Freeze Mode to retain natural goodness for future use.

### DEEP FREEZE MODE

Deep freezing (-25°C) allows food to be stored for months or even years with temperatures that halt bacterial activity. Freezing food quickly is the key to protecting quality and retaining nutrients, so they are not lost when defrosting.

### MIX & MATCH

Integrated Column Refrigeration gives you the freedom to mix and match. Different sized Column Fridges and Freezers can be installed separately or paired. Finish them with our stainless steel door panels or customise to match your own kitchen cabinetry.

### CLEVER ENERGY

Our ActiveSmart™ Foodcare Refrigerator Freezers adapt to daily use by cooling and defrosting only when needed. This means your refrigerator uses the energy it needs without compromising on food care.

### APPEALING ILLUMINATION

Bright LEDs light up each ceiling, shelves, bins and trays in both refrigerator and freezer, making it easy to find your food and creating a welcoming glow in your kitchen for those midnight snacks.

### DESIGN QUALITY

The premium design and quality finish includes a steel interior lining as well as full-extension metal shelf runners for easy access, and robust glass shelving.

### EASY INSTALL

Integrated Column Refrigerators and Freezers have been developed to make their installation easy. The joiner kit is included when pairing refrigerators and freezers. All models come with front adjustable levelling feet and they've been designed to easily slide into place as separate units.

## SPECIFICATIONS

### Accessories (sold separately)

Door panel stainless steel Left	RD7621L10D
Door panel stainless steel Right	RD7621R10D

Handle kit Contemporary	<b>AHS-RD21</b>
Handle kit Contemporary	<b>AHD5RDSF</b>
Handle kit Contemporary	<b>AHD5RDSFB</b>
Handle kit Contemporary	<b>AHD3-RD21</b>
Handle kit Professional round	<b>AHP3RDSF</b>
Joiner kit	<b>AJ-RS21LR</b>
Matching Replacement Water	<b>FWC3</b>
Toe kick stainless steel	<b>AKRS13710</b>
Toe kick stainless steel	<b>AKRS15210</b>
Toe kick stainless steel 1981mm	<b>AKRS19810</b>
Toe kick stainless steel	<b>AKRS21310</b>
Toe kick stainless steel 762mm	<b>AKRS7610</b>

**Capacity**

Volume	<b>442L</b>
Volume freezer	<b>442L</b>

**Consumption**

Energy rating	<b>2.5 star</b>
Energy usage	<b>494kWh/year</b>

**Features**

Wi-Fi connectivity	•
--------------------	---

**Freezer Features**

Automatic ice maker	•
Bottle chill	•
Door alarm	•
Fast freeze	•
Freezer bins	<b>4</b>

Ice Boost	•
LED bin lighting	•
LED ceiling lighting	•
LED side lighting	•
SmartTouch interface at	•

**Installation Dimensions**

Cabinetry height with included	<b>2134mm</b>
Minimum inside width of	<b>762mm</b>
Minimum internal depth of	<b>635mm</b>
Minimum internal height of	<b>2134mm</b>

**Performance**

ActiveSmart™ Foodcare	•
Adaptive defrost	•
Dual evaporator	•
Frost free	•
Frost free freezer	•
Inverter controlled compressor	•
Sabbath mode	•
Variable food modes	<b>Soft freeze; Freeze; Deep</b>
Variable temperature zones	<b>2</b>

**Power requirements**

Rated current	<b>10A</b>
Supply frequency	<b>50Hz</b>
Supply voltage	<b>230V</b>

**Product dimensions**

Depth	<b>610mm</b>
-------	--------------

Height	<b>2134mm</b>
Width	<b>756mm</b>

**Warranty**

Parts and labour	<b>2 years</b>
Sealed system parts only	<b>5 years</b>

SKU	26164
-----	-------

The product dimensions and specifications in this page apply to the specific product and model. Under our policy of continuous improvement, these dimensions and specifications may change at any time. You should therefore check with Fisher & Paykel's Customer Care Centre to ensure this page correctly describes the model currently available. ? Fisher & Paykel Appliances Ltd 2020

---

Other product downloads available at [fisherpaykel.com](http://fisherpaykel.com)

- [↓](#) Service & Warranty
- [↓](#) User Guide Integrated Refrigerator Freezer
- [↓](#) Installation Guide - Water Filter Replacement
- [↓](#) Installation Guide Integrated Column Refrigerator
- [↓](#) Data Sheet Integrated Column Freezer
- [↓](#) Data Sheet Integrated Column Freezer Dual Install (610mm + 762mm)
- [↓](#) Data Sheet Integrated Column Freezer Dual Install (762mm + 762mm)
- [↓](#) Data Sheet Integrated Column Freezer with Contemporary Square Handle Kit
- [↓](#) Data Sheet Integrated Column Freezer Dual Install (457mm + 762mm)
- [↓](#) Data Sheet Integrated Column Freezer with Contemporary Round Handle Kit
- [↓](#) Key Purchase Decisions Integrated Column Freezer
- [↓](#) Planning Guide Integrated Columns
- [↓](#) Specification Guide Integrated Column Freezer



**A PEACE OF MIND SALE**

24 Hours 7 Days a Week Customer Support

T 1300 650 590 **W**[www.fisherpaykel.com](http://www.fisherpaykel.com)