



# HYDROTAP G5 BCHA CELSIUS ALL-IN-ONE ARC MATTE BLACK



BOILING



CHILLED



HOT & AMBIENT

FILTERED

UNFILTERED

## Order Code H57784Z03AU

Zip HydroTap Design Range CELSIUS All-In-One Boiling & Chilled Filtered water, plus Hot and Cold washing up water from a single tap (hot and cold water supply required). The system features a single under bench command centre including full colour interactive touch screen display with pin code protection and customisable settings including boiling water safety mode, 2 energy saving modes including ON/OFF timers and 2 hour sleep mode, 'Quiet' mode with automated intelligent fan speed adjustment, antimicrobial protection impregnated into key water paths for enhanced hygiene, 100% water efficient air cooled technology, and 0.2 micron water filtration.



---

Manufacturing Code H57784Z03AU

---

Capacity Residential

---

---

<b>Tap</b>	Zip HydroTap Design Range CELSIUS All-In-One ARC Tap (Matte Black)
<b>Water Pressure</b>	Min 170kPa - Max 700kPa
<b>Water Connection</b>	1/2" BSP (G1/2)
<b>Water Supply Requirements</b>	Cold and Hot
<b>Water Valves</b>	Integrated 500kPa Pressure limiting valve and Dual Check Valve
<b>Power Rating</b>	1.8kW 220-240V 50Hz
<b>Power Supply</b>	1 x 10 Amp socket outlet
<b>Dimensions</b>	W280mm x D478mm x H333mm
<b>Product Approvals</b>	WaterMark, RCM, ARC
<b>Wels Rating</b>	5 Star, 6.0 litres
<b>Warranty</b>	5 years (appliance warranty 36 months plus additional 24 months tank warranty)

---

## Installation Requirements

1. Installation and connection of your Zip HydroTap must be carried out by a qualified person, observing national and local regulations.
2. You will require suitable mains electrical and drinking water connections, plus waste water drainage all within 1.5 metres of the product.
3. **Discrete cabinetry cut outs are required for airflow. 40mm minimum clearance on cupboard base overhang required otherwise alternative installation options are available.**
4. Installation on most bench tops is straightforward however some stone bench tops may require a specialised cutting service.
5. If you live in a hard water area, we recommend installation of a Zip scale filtration kit.
6. Installation by Zip Professional Service can be arranged with a phone call or through [www.zipwater.com/book-service-visit](http://www.zipwater.com/book-service-visit)

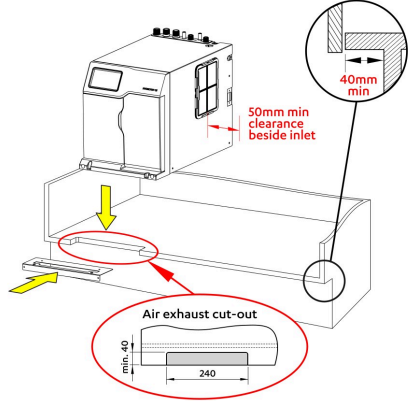
---

### Installation Detail

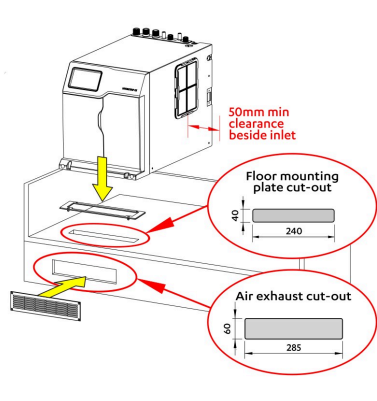
**Ventilation requirements**

Contact your local service provider if ventilation is not suitable

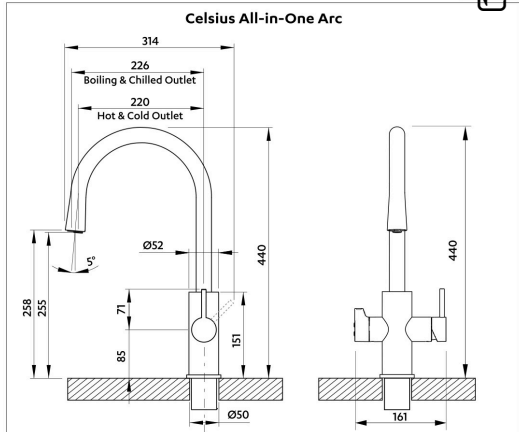
**Option 1. Cupboard with 40mm min overhang**



**Option 2. Cupboard with less than 40mm overhang**



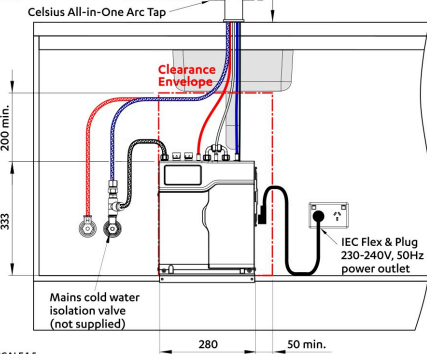
**Tap detail**



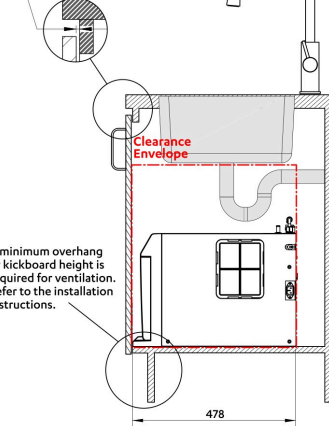
**Tap Positioning**

Position the Tap to dispense into the sink, allowing clearance for a cup or teapot.

Ø50mm hole for Tap

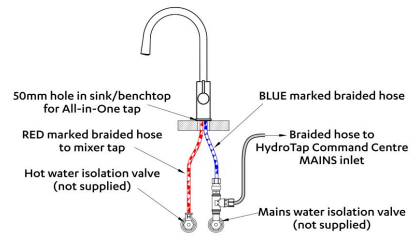


4mm buffer pad air space



**Mains hot water supply installation**

Hot and cold water supply required

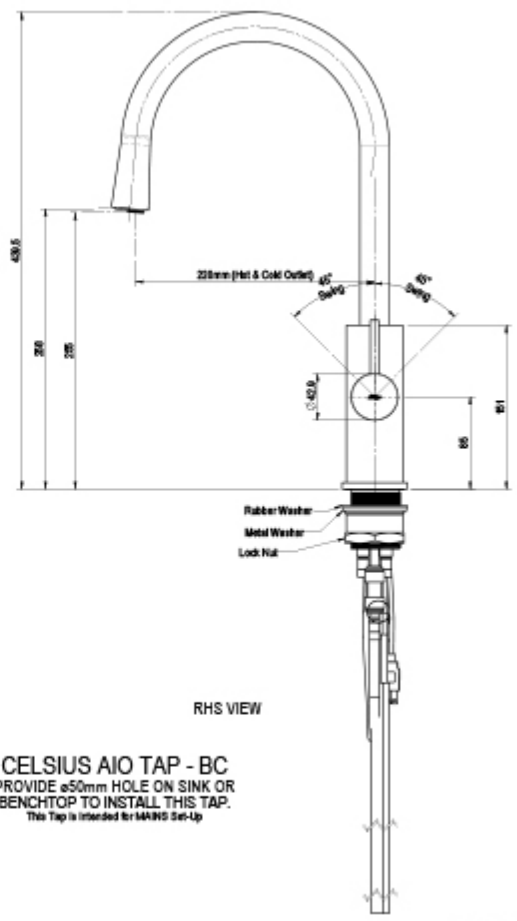
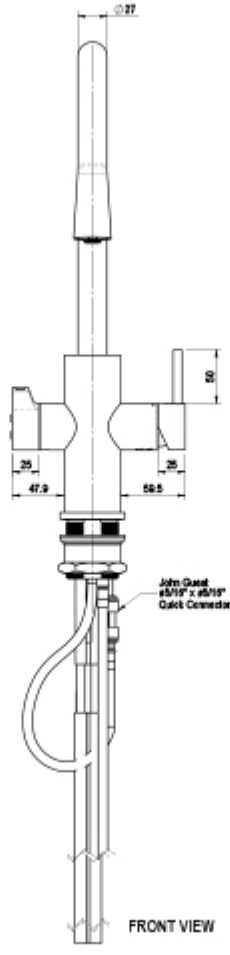
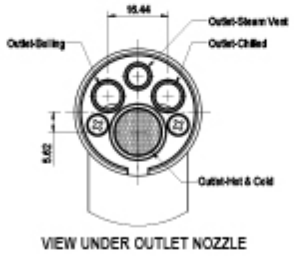
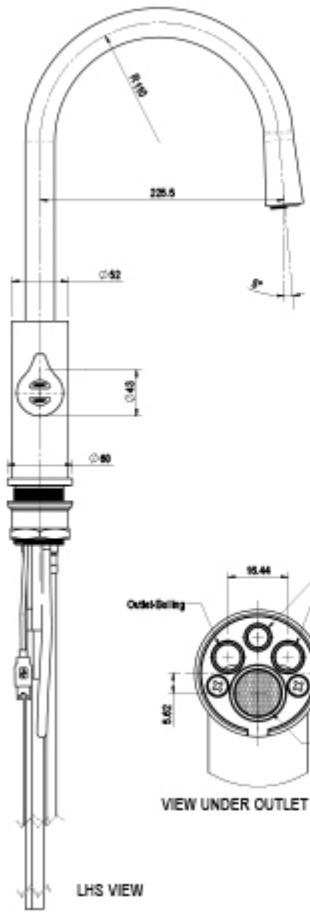


SCALE 1:5  
ALL DIMENSIONS IN MM UNLESS OTHERWISE SPECIFIED. INSTALLATION DIAGRAMS ARE FOR ILLUSTRATIVE PURPOSES ONLY. HOSES ARE NOT SHOWN TO SCALE AND CANNOT BE LENGTHENED.

**HydroTap G5  
BC Home**

with Celsius All-in-One Arc Tap

**Tap Detail**



**CELSIUS AIO TAP - BC**  
 PROVIDE ø50mm HOLE ON SINK OR BENCHTOP TO INSTALL THIS TAP.  
 This Tap is intended for MANS Set-Up

804680