

**Series 4, built-under dishwasher, 60 cm, Stainless steel
SMU4HVS01A**



Dishwasher with Wifi connectivity and flexible loading.

- **ExtraDry:** option for additional drying.
- **VarioFlex-baskets and VarioDrawer:** enhanced re-adjusting options with more space on all levels.
- **Rackmatic:** top basket adjustable on three levels offers additional space, especially for tall dishes.
- **Home Connect:** home appliances with smart connectivity for an easier everyday life.
- **Favourite function:** personalized function by just one touch even for downloaded programs.

Maximum number of place settings: 14
 Water consumption in litres per cycle of the eco programme: ... 13.5 l
 Built-in / Free-standing: Built-in
 Height of removable worktop: 0 mm
 Dimensions of the product (HxWxD): 815 x 598 x 573 mm
 Min. required niche size for installation (HxWxD): 815-875 x 600 x 550 mm
 Depth with open door 90 degree: 1155 mm
 Adjustable feet: Yes - all from front
 Maximum adjustability feet: 60 mm
 Adjustable plinth: Both horizontal and vertical
 Net weight: 36.6 kg
 Gross weight: 38.5 kg
 Connection rating: 2400 W
 Fuse protection: 10 A
 Voltage: 220-240 V
 Frequency: 50; 60 Hz
 Length electrical supply cord: 175.0 cm
 Plug type: AU plug
 Length inlet hose: 165 cm
 Length outlet hose: 190 cm
 EAN code: 4242005249985
 Installation typology: Built-under

- SMZ2014 Rack insert for stemware dishwasher
- SMZ5000 Dishwashing aid set
- SMZ5002 Silver polishing cassette
- SMZ5150AU Kick panel stainless steel
- SGZ0BI02 decorative strips stainless steel 81,5cm
- SGZ1010 inlet and outlet hose extention



Series 4, built-under dishwasher, 60 cm, Stainless steel SMU4HVS01A

Dishwasher with Wifi connectivity and flexible loading.

Capacity

- 14 place settings

Consumption rates

- 4 Star energy rating, 4 Star WELS water rating. AU WELS Registration Number: D02594.
- Water consumption: 13.5 litres per wash with Cold water connection using the Eco AU in accordance with AS/NZS 6400. Energy consumption: 230 kwh per year, with Cold water connection using the Eco AU program seven times per week. When tested in accordance with AS/NZS 2007.2. Actual energy use and running costs will depend on how you use the appliance.

Design

- Anti-fingerprint stainless steel finish
- Polinox inner tub: The Polinox inner tub is extremely durable, odourless and rust-free. German engineered with robust materials that withstand dints, scratches and discolouration, based on 10 year simulation tests.

Wash Programs and Options

- 6 programmes:
- Eco Wash : Energy efficient wash & dry. Mixed loads & soil levels 45 °C,
- Auto Wash: automatic wash & dry for Mixed loads & soil levels 45-65 °C,
- Pots and Pans : For heavily soiled dishes 70 °C,
- Quick 1hr : Quick wash & dry. Mixed loads & soil levels. 65 °C,
- Glass Wash: for sensitive glassware, crystal, & fine china 40 °C,
- Favourite: set or download your favourite combination of program and options
- Special options:
- Extra Dry: Provides an even better drying result by extending the drying time
- HygienePlus : Extended increased temperature program for hygienic cleaning
- SpeedPerfect : Reduce wash time even after cycle has started
- Machine Care: maintains your dishwasher's optimum performance and hygiene option

Performance

- DosageAssist™: Maximises the effectiveness of detergent tablets. The tablet is dropped into a specially engineered tray and is completely dissolved. For superior cleaning performance and a quieter wash.
- EcoSilence Drive® quiet and energy-efficient brushless motor (BLDC)
- BLDC Main Pump: Variable water & spray pressure to achieve optimum cleaning results BLDC Drain Pump: Fast and extra quiet draining of water, no gargling sounds
- AutoBrilliance™: Automatic detergent and rinse aid sensor
- AquaSensor™ technology: Regulates the water usage depending on the type and degree of soiling
- hydroDry heat exchanger assists with condensation to help dry

dishes

- 5 Spray levels for maximum water contact and optimum wash results
- 3 stage self-cleaning filter system: design that helps reduce the need to wash the filter and prevents blockages

Flexibility

- VarioFlex™ basket system
- VarioDrawer™: Provides an extra loading level for cutlery and utensils
- RackmaticPlus™: 3-stage top basket can be adjusted to three height levels to maximise convenience
- Low friction wheels on bottom basket
- Rack Stopper to prevent derailing of bottom basket
- 2 foldable plate racks in top basket
- 4 foldable plate racks in bottom basket
- 2 foldable cup shelves in top basket
- Moveable cutlery basket in lower basket

Convenience

- Very quiet operation - 46 dB
- HomeConnect via WiFi Connectivity
- Time remaining display
- Time delay start: Delay program start time by 1-24 hours to suit your schedule
- Large item spray head: For washing extra large items such as baking trays, Vapour barrier protection plate

Safety

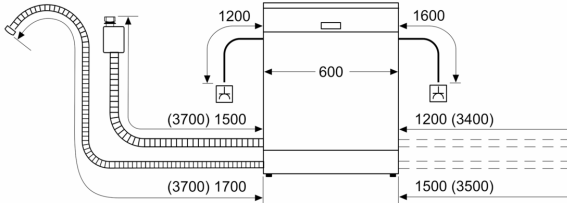
- AquaStop™ Plus: Water supply device with lifetime anti-flood protection
- Child door lock

Product Dimensions (H x W x D)

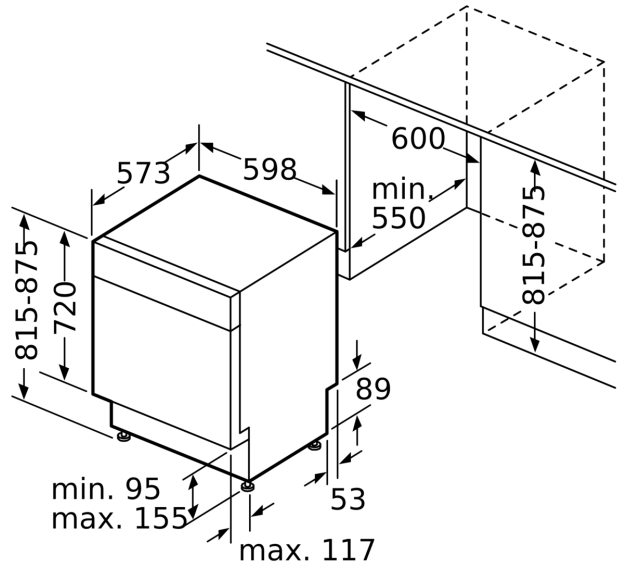
- Height 815-875 mm x Width 598 mm x Depth 573 mm

**Series 4, built-under dishwasher, 60 cm, Stainless steel
SMU4HVS01A**

measurements in mm



socket
() values with extension kit



measurements in m