



# HYDROTAP G5 BCS CLASSIC PLUS BRUSHED GOLD



BOILING



CHILLED



SPARKLING

FILTERED

Order Code H55783Z07AU

Zip HydroTap Classic Plus Boiling, Chilled, Sparkling, Filtered water tap features simple, intuitive controls including continuous flow to fill bottles, Boiling water safety lock, and antimicrobial protection impregnated within the new Classic Plus touch-pad for enhanced hygiene. The water system features a single under bench command centre including full colour interactive touch screen display with pin code protection and customisable settings including 2 boiling water safety modes, 3 energy saving modes including ON/OFF timers and sensor activated 'sleep when it's dark', 'Quiet' mode with automated intelligent fan speed adjustment, antimicrobial protection impregnated into key water paths for enhanced hygiene, 100% water efficient air cooled technology, 0.2 micron water filtration, and 2 disposable CO2 cylinders.

---

Manufacturing Code H55783Z07AU

---

Capacity Residential

---



---

<b>Tap</b>	Zip HydroTap CLASSIC PLUS Tap (Brushed Gold)
<b>Water Pressure</b>	Min 250kPa - Max 700kPa
<b>Water Connection</b>	1/2" BSP (G1/2)
<b>Water Supply Requirements</b>	Cold
<b>Water Valves</b>	Integrated 500kPa Pressure limiting valve and Dual Check Valve
<b>Power Rating</b>	1.53kW 220-240V 50Hz
<b>Power Supply</b>	1 x 10 Amp socket outlet
<b>Dimensions</b>	W339mm x D483mm x H333mm
<b>Product Approvals</b>	WaterMark, RCM, ARC
<b>Warranty</b>	5 years (appliance warranty 36 months plus additional 24 months tank warranty)

---

## Installation Requirements

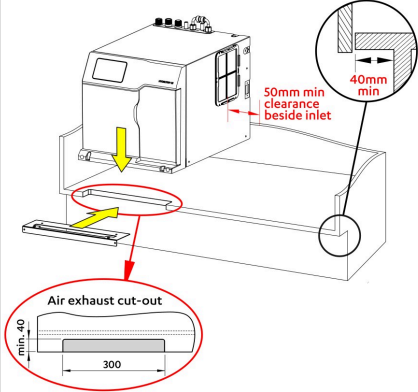
1. Installation and connection of your Zip HydroTap must be carried out by a qualified person, observing national and local regulations.
  2. You will require suitable mains electrical and drinking water connections, plus waste water drainage all within 1.5 metres of the product.
  3. **Discrete cabinetry cut outs are required for airflow. 40mm minimum clearance on cupboard base overhang required otherwise alternative installation options are available.**
  4. Installation on most bench tops is straightforward however some stone bench tops may require a specialised cutting service.
  5. If you live in a hard water area, we recommend installation of a Zip scale filtration kit.
  6. Installation by Zip Professional Service can be arranged with a phone call or through [www.zipwater.com/book-service-visit](http://www.zipwater.com/book-service-visit)
- 

### Installation Detail

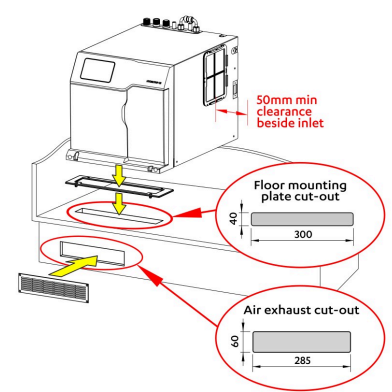
### Ventilation requirements

Contact your local service provider if ventilation is not suitable

#### Option 1. Cupboard with 40mm min overhang

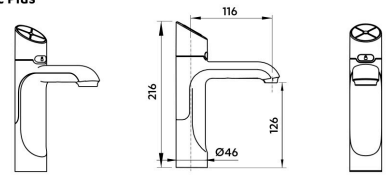


#### Option 2. Cupboard with less than 40mm overhang

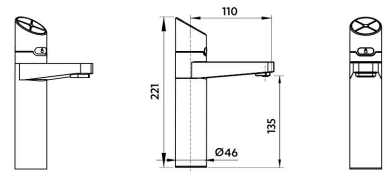


### HydroTap Tap options

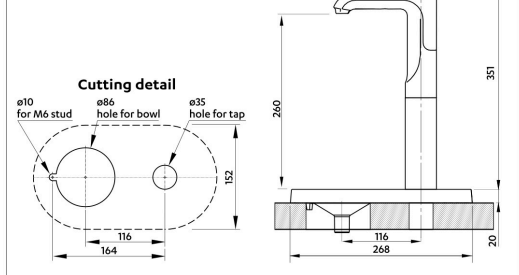
#### Classic Plus



#### Elite Plus



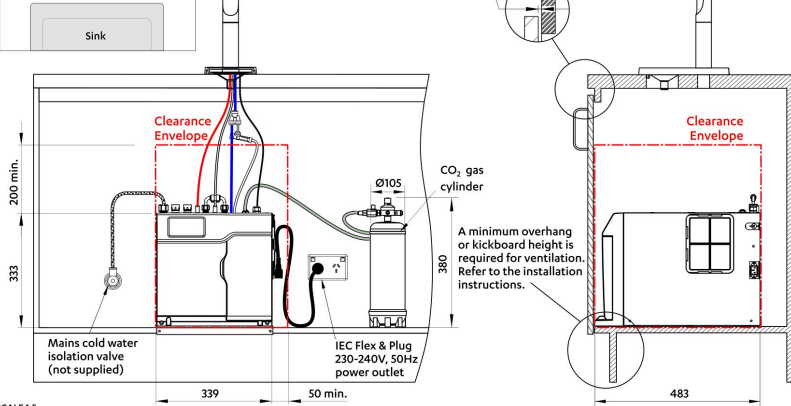
#### Raised Font with 135mm Extension Part No. 95258



### Tap Positioning

Position the Tap to dispense into the sink. Alternatively, mount on a Font, available as an accessory.

● Ø35mm hole for Tap



SCALE 1:5  
ALL DIMENSIONS IN MM UNLESS OTHERWISE SPECIFIED. INSTALLATION DIAGRAMS ARE FOR ILLUSTRATIVE PURPOSES ONLY. HOSES ARE NOT SHOWN TO SCALE AND CANNOT BE LENGTHENED.

## HydroTap G5 BCS Home

shown with Classic Plus tap  
and Raised Font (optional accessory)