

EMA-S Series

Spring Assisted

Counterbalance Monitor Arms



EMA-S Series

Spring Assisted Counterbalance Monitor Arms

Ergovida

1 VESA Plate with Keyhole Slots

for easy assembly and disassembly

2 Built-In Spring Tension Mechanism

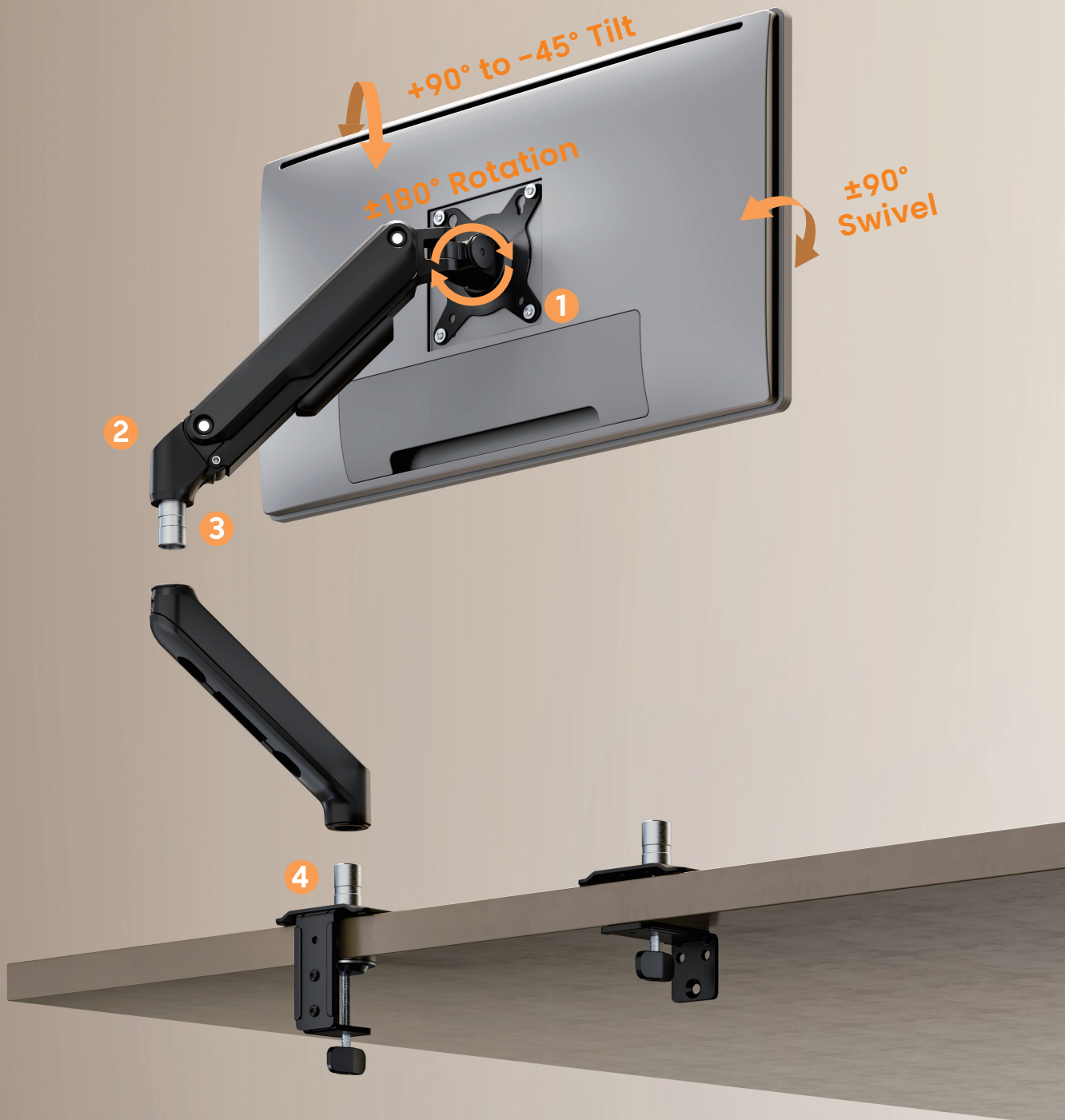
ensures perfect balance and adjustment experience

3 Quick-Release Joint

simplifies assembly for users and reduces package sizes for e-commerce

4 Clamp-On / Grommet Installation Options

accommodate to different installation needs



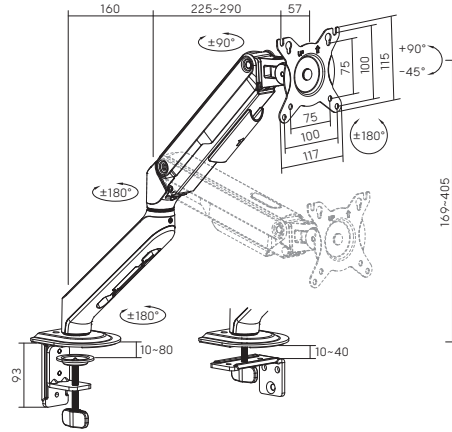
EMA-S Series

Spring Assisted Counterbalance Monitor Arms

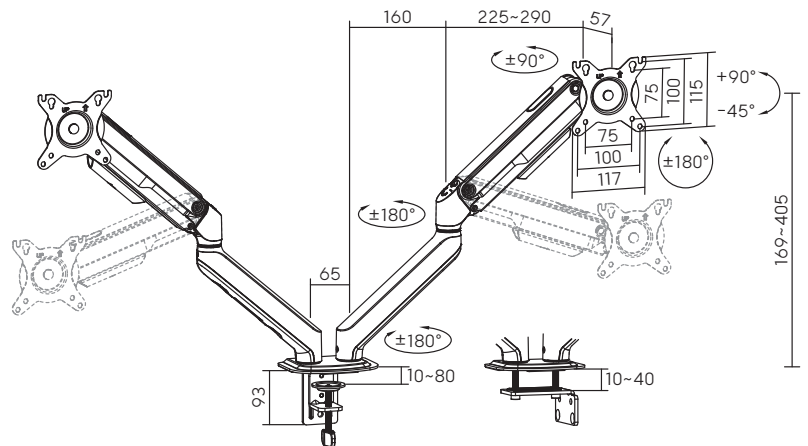
ergovida

Dimensions (mm)

EMA-S1B for Single Screen



EMA-S2B for Dual Screens



Colours:

Item No.	EMA-S1B / EMA-S2B
Fit Screen Size	17"-34"
Weight Capacity (per screen)	2~9kg
VESA Compatible	75x75, 100x100
Tilt Range	+90°~-45°
Swivel Range	+90°~-90°
Screen Rotation	+180°~-180°
Material	Steel, Plastic

Proudly Distributed in Australia by



4/30 Prohasky Street
Port Melbourne, Victoria
3207 Australia

Phone: 1800 636 026
E-mail: orders@canohm.com.au
ABN 57 004 817 949



Facebook
Canohm



Instagram
Canohm_Australia



YouTube
Canohm