

**54cm White Freestanding oven with timer, light, electric grill in oven, electronic ignition and 4 burner gas hob. LP conversion kit included.**

RRP AUS \$1,099.00



## Product Details

### FEATURES

---

#### Flame failure feature

A safety mechanism that stops the gas flow if the flame is extinguished

#### Class-leading capacity

With 80L gross oven capacity, you can entertain guests and cook big family meals with absolute ease.

#### Easy-clean convenience

Save time and elbow grease with specially formed shelf supports and acid-resistant enamel. Plus, the new removable glass door system allows for quick and easy cleaning and no trapped grease. With a Chef freestanding cooker, a simple wipe clean is all you need.

#### Sleek enamel surface

Enjoy a sparkling finish every time. With supreme durability on external surfaces, you can be assured your stove will look good for years to come.

---

#### Cooktop options

Choose from our practical range of gas hobs or electric hobs with standout features like easy-clean solid or sleek, flat ceramic hobs.

---

### BENEFITS

---

#### Easy clean convenience

Save time and effort with easy clean features such as the removable glass door system. This allows for quick and easy cleaning with no trapped grease. The specially formed shelf supports and acid-resistant enamel also allow for a simple wipe clean.

#### Class-leading capacity

Chef freestanding cookers have one of the largest cooking cavities and an 80L gross oven capacity for all your family meals. Plus, the separate grilling compartment means you can entertain guests and cook big family meals with absolute ease.

---

#### Built in Australia

Chef has been part of Australian homes for generations and the kitchen appliance brand we have always known and trusted to build reliable products. This oven is built in a local factory in Adelaide.

---

## Specifications

### PRODUCT PROFILE

Domestic warranty details (yrs)	2
Oven fuel	gas
Materials/Colour	white enamel
Controls of Oven	control knob
Cooling fan	No
Plinth colour (kickboard)	white
Anti tilt plate	Yes
Swept up hob	No
Front/rear controls	front
Warming drawer	No
Storage drawer	No

### MAIN OVEN

Gross capacity litres	80
-----------------------	----

### DIMENSIONS

#### PRODUCT DIMENSION

Total height (mm)	910
Total width (mm)	540
Total depth (mm)	635

### ELECTRICAL CONNECTION

Connected load KW	2.2
-------------------	-----

## MAIN OVEN

---

Useable capacity litres	72
-------------------------	----

---

Oven function	conventional
---------------	--------------

---

Oven liner	enamel
------------	--------

---

Timer functions	minute minder
-----------------	---------------

---

Lights	1
--------	---

---

Layers of glass in door	2
-------------------------	---

---

Shelf support	easy clean formed shelf supports
---------------	----------------------------------

---

Number of shelves	2
-------------------	---

---

Number of shelf positions	5
---------------------------	---

---

Safety features	flame failure safety device
-----------------	-----------------------------

---

Closed door grilling	Yes
----------------------	-----

---

Fold down grill element	No
-------------------------	----

---

## GAS SPECIFICATIONS

---

Maximum gas rating (NG)	47
-------------------------	----

---

## ELECTRICAL CONNECTION

---

Type of connection	10A plug & lead
--------------------	-----------------

---

## SHIPPING

---

Shipping Volume (m3)	0.432
----------------------	-------

---

Shipping Weight (Kg)	45.5
----------------------	------

---

## SHIPPING

Pack Dimensions Height (mm)	1025
-----------------------------	------

Pack Dimension Width (mm)	580
---------------------------	-----

Pack Dimension Depth (mm)	726
---------------------------	-----

## COOKTOP (IF APPLICABLE)

### PRODUCT PROFILE

Cook top type	gas
---------------	-----

Materials/Colour	white enamel
------------------	--------------

Trim finish	white enamel
-------------	--------------

Removable trim (for cleaning)	No
-------------------------------	----

Wok included designed to fit cooktop	No
--------------------------------------	----

## ELEMENTS/BURNERS

Cooking zones	4
---------------	---

## LEFT FRONT ZONE

Left front Mj/h	12.1
-----------------	------

## LEFT REAR ZONE

Left rear zone	semi-rapid
----------------	------------

Left rear Mj/h	9
----------------	---

## RIGHT FRONT ZONE

---

Right front Mj/h	5.1
------------------	-----

---

## RIGHT REAR ZONE

---

Right rear Mj/h	9
-----------------	---

---

## FEATURES

---

Trivets	enamel
---------	--------

---

Ignition type	electronic
---------------	------------

---

## CONTROLS

---

Position of controls	front
----------------------	-------

---

## GAS SPECIFICATIONS

---

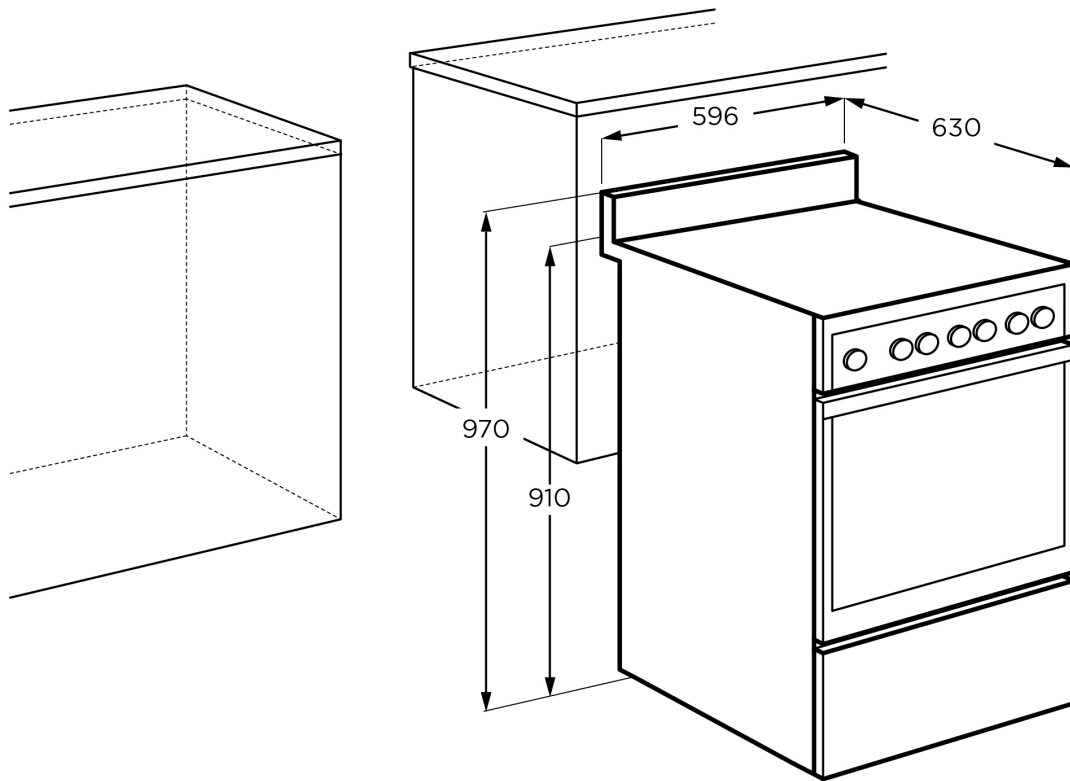
Maximum gas rating (NG)	47
-------------------------	----

---

## Dimensions

**IMPORTANT**

These dimensions are a guide only. All measurements are in millimetres (mm).  
For complete installation instructions, refer to the manual provided with product.



© 2024 Electrolux Home Products Pty Ltd. ABN 51 004 762 341. C\_DIM\_CFG504WCH\_Jun24

## Terms and Conditions

### IMPORTANT

This is a guide of product dimensions only. For complete installation instructions, refer to the manual provided with product.

### PRODUCT INFORMATION

The descriptors and illustrations in this publication apply to the specific products and models described as at the date of issue. Under our policy of continuous product development, product specifications may change without notice. Prospective purchasers should therefore check with their retailer to ensure this publication correctly describes the products that are being offered for sale. All information supplied is to be used for general reference purposes only and is on the understanding that Electrolux Home Products Pty Ltd (Australia) and Electrolux (NZ) Ltd (New Zealand) will not be liable for any loss, liability or damage of whatever kind arising as a result of reliance on such information. Colours of products illustrated are as close as printing limitations allow. Electrolux will at all times comply with its obligations pursuant to law including Trade Practices (Australian Consumer Law) Act and Regulations.

### WARRANTY

This warranty only applies to Appliances purchased and used in Australia or New Zealand and used in normal domestic applications and is in addition to (and does not exclude, restrict, or modify in any way) any non-excludable statutory warranties in Australia or New Zealand. All warranties are subject to the conditions set out in the warranty card accompanying the product when purchased.

#### ELECTROLUX HOME PRODUCTS AUSTRALIA

telephone: 1300 363 640

fax: 1800 350 067

email: [customercare@electrolux.com.au](mailto:customercare@electrolux.com.au)

web: [www.electrolux.com.au](http://www.electrolux.com.au)

#### ELECTROLUX HOME PRODUCTS NEW ZEALAND

telephone: 09 573 2230

fax: 09 573 2221

email: [customercare@electrolux.co.nz](mailto:customercare@electrolux.co.nz)

web: [www.electrolux.co.nz](http://www.electrolux.co.nz)