

Product information sheet LEGRA 8 S

Item no. 528073

Benefits



- Classic lines combined with modern functionality
- Spacious place with double bowls and drainer
- Comfortable, parallel use of the two equally sized bowls
- Left-hand version

Colours



Available colours:

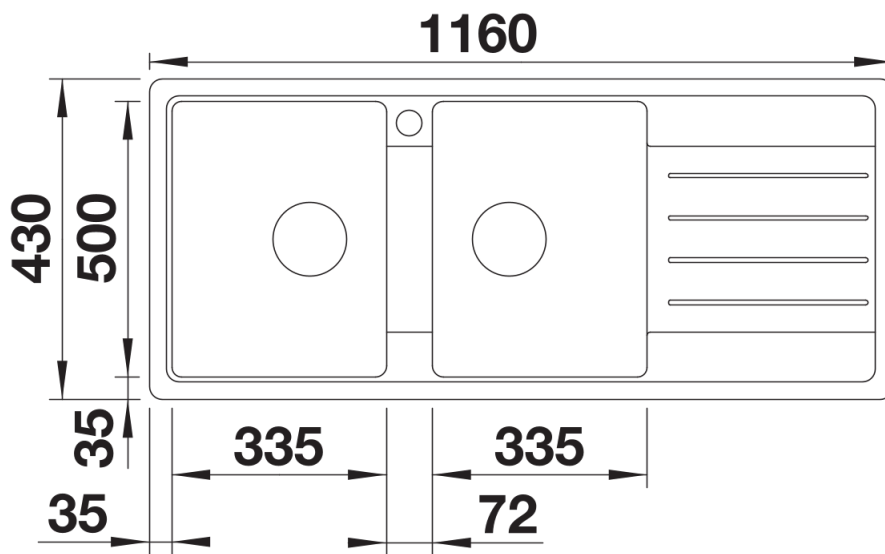
- black
- anthracite
- white

SILGRANIT anthracite

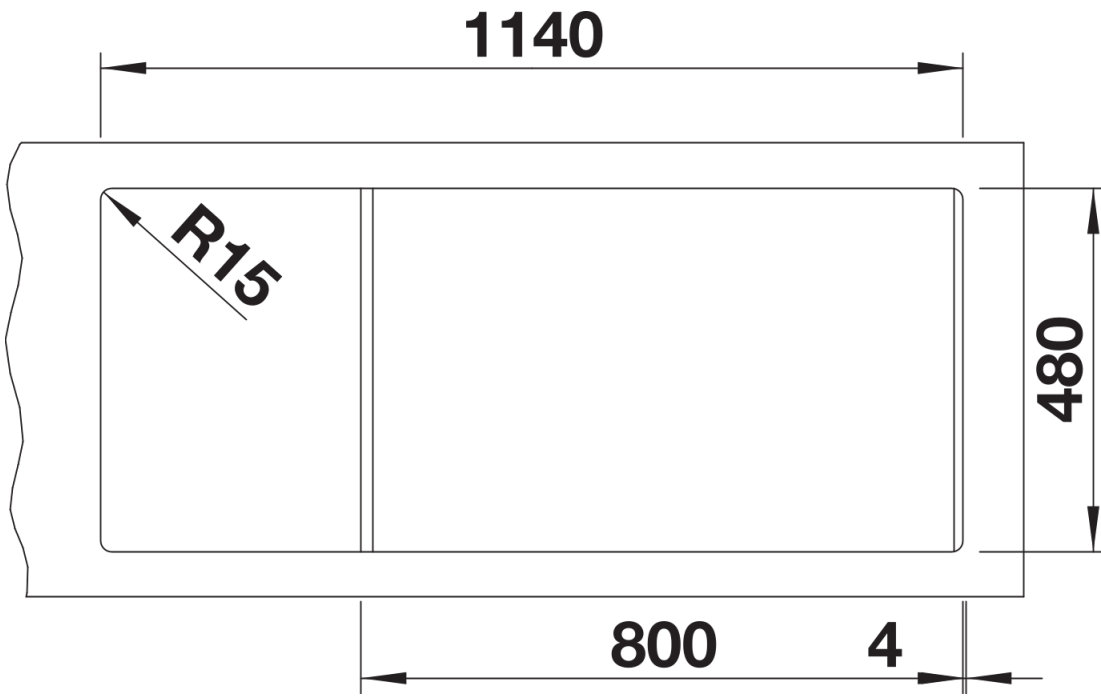
Scope of supply

waste kit with space-saving pipe, 2 x 3 ½" basket strainer

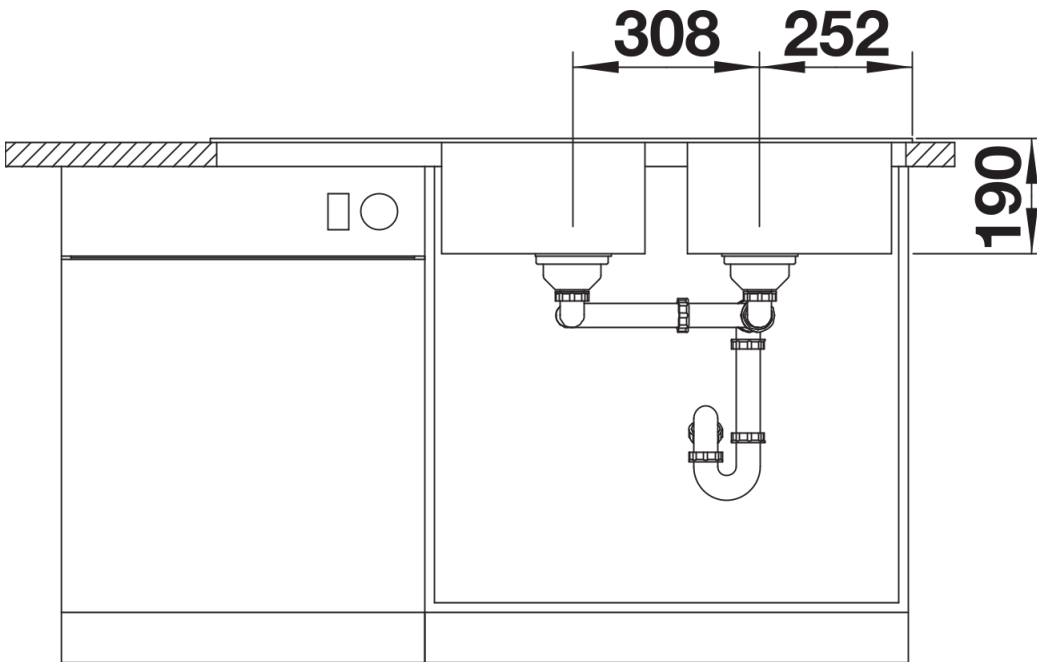
Details



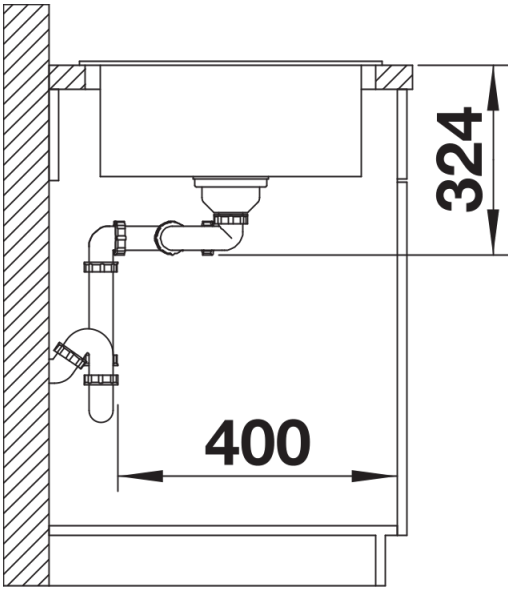
Top view



Cut-out



Front view



Side view