

**Series 2, Wall-mounted canopy  
rangehood, 60 cm, Stainless steel  
DWP66BC50A**



**Optional accessories**

DHZ5275 : Standard recirculation kit

**Canopy hood: perfect performance  
matching your kitchen.**

- **Grease filtration level:** filters out over 85% of the grease from kitchen air
- **LED lighting:** for perfect, energy-efficient illumination of the cooktop.
- With exhaust, the air is cleaned by a grease filter and then ducted to the outside which ensures optimal kitchen air quality.
- Dishwasher-safe metal grease filters for easy cleaning.
- 3-Speed Power Level Options To Suit Your Cooking Style And Recipes

**Technical Data**

Typology : Wall-mounted  
Length electrical supply cord : 130 cm  
Height of the chimney : 553-730/573-730 mm  
Height of product, without chimney : 246 mm  
Minimum distance above an electric cooktop : 550 mm  
Minimum distance above a gas cooktop : 650 mm  
Net weight : 8.7 kg  
Type of control : mechanical  
Number of power settings : 3  
Maximum output air extraction : 598 m<sup>3</sup>/h  
Maximum output recirculating air : 406 m<sup>3</sup>/h  
Number of lights : 2  
Noise level : 69 dB(A) re 1 pW  
Diameter of air outlet : 120 / 150 mm  
Grease filter material : Washable aluminium  
EAN code : 4242005100637  
Connection Rating : 220 W  
Fuse protection : 10 A  
Voltage : 220-240 V  
Frequency : 50; 60 Hz  
Plug type : AU plug  
Installation type : Wall-mounted



## **Series 2, Wall-mounted canopy rangehood, 60 cm, Stainless steel DWP66BC50A**

### **Canopy hood: perfect performance matching your kitchen.**

---

#### **Design & Innovation**

- Pyramid design
- Appliance colour: Stainless steel

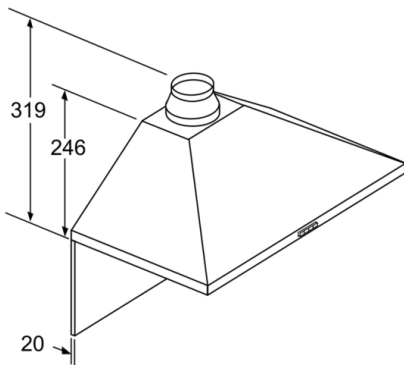
#### **Power and Mode of Operation**

- Accessory required for recirculation mode: Standard recirculation kit
- 3 power settings via Push button
- Extraction rate exhaust air according to EN 61591: max. 597 m<sup>3</sup>/h
- Extraction rate in recirculation mode:  
Max. normal use: 406 m<sup>3</sup>/h
- Ducted and recirculated-air operation
- Push button for power and light
- Twin channel high performance fan motor
- Noise min./max. Normal Level: 49/69 dB
- Noise level in recirculation mode:  
Max. normal use: 75 dB(A) re 1 pW (62 dB(A) re 20 µPa sound pressure)
- Energy Efficiency Class: A (at a range of energy efficiency classes from A++ to E)
- Average Energy Consumption: 42.8 kWh/year
- Power rating: 220 W

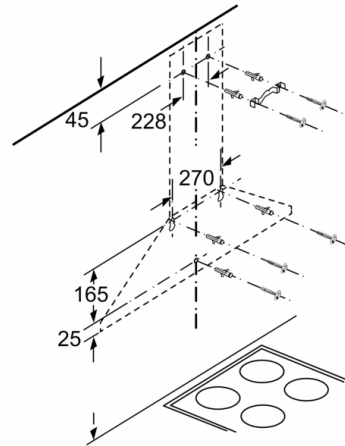
#### **Comfort & Convenience**

- Dishwasher safe metal grease filters
- 2 x 1.5W LED
- with one-way flap: prevents outside air from entering your kitchen
- Appliance width: 600 mm
- Dimensions exhaust air (HxWxD): 799-975 x 600 x 500 mm
- Dimensions recirculating (HxWxD): 799-975 x 600 x 500 mm
- Diameter pipe Ø 150 mm (Ø 120 mm enclosed)
- Electrical cable length 1.3 m

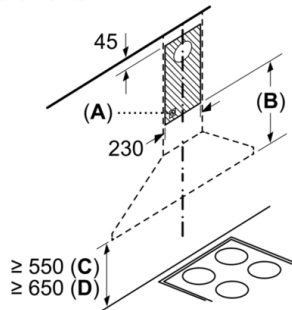
**Series 2, Wall-mounted canopy rangehood,  
60 cm, Stainless steel  
DWP66BC50A**



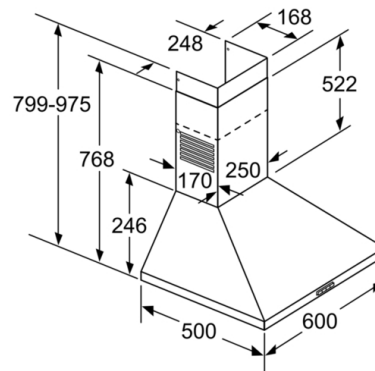
If a back panel is used,  
the design of the appliance  
must be considered. measurements in mm



measurements in mm



- A:** Socket
- B:** Exhaust air:  $\geq 280$ ; circulated air:  $\geq 490$
- C:** electric
- D:** Gas, from upper edge of pan support



measurements in mm