

**Series 8, Built-in compact oven with microwave function, 60 x 45 cm, Black
CMG936AB1A**



HEZ327000 Pizza stone, HEZ531010 Baking tray, non-stick ceramic coated, HEZ532010 Universal pan, non-stick ceramic coated, HEZ617000 Pizza pan, anthracite enamelled, HEZ629070 Air Fry & Grill tray, anthracite, HEZ631070 Baking tray, anthracite enamelled, HEZ632070 Multipurpose pan, anthracite enamelled, HEZ634000 Baking and roasting grid (standard), HEZ636000 Glass pan, HEZ660050 Cover Strip, HEZ660060 Strip, HEZ664000 Baking and roasting grid (steam), HEZ6BMA00 Assembly kit for vertical installation, HEZ915003 Glass roasting dish, 5,4 L

The compact microwave oven with Digital Control Ring and TFT-touchdisplay: enables you to achieve perfect baking and roasting results very quickly. Home Connect for control via the App.

- **TFT Touch Display Plus:** easy control thanks to an innovative Digital Control Ring and enlarged TFT touchscreen.
- **Air Fry Function with tray:** for perfectly fried foods, such as vegetables and chips.
- **Eco Clean Direct:** less cleaning effort thanks to a special coating of the rear wall that automatically absorbs grime.
- **Microwave Boost Function:** quick and easy warming.
- **1-level telescopic rail:** for safe, easy insertion and removal of baking trays.

Additional function: Microwave combination
 Color / Material Front: Black
 Built-in / Free-standing: Built-in
 Door opening: Handle
 Colour.Material door: Black
 Cleaning : Hydrolytic, catalytic partial
 Control Panel Material: Glass
 Dimensions (HxWxD): 455 x 594 x 548 mm
 Dimensions of the packed product (HxWxD): 530 x 680 x 660 mm
 Min. required niche size for installation (HxWxD): 450-455 x 560-568 x 550 mm
 Cavity dimensions: 237.0 x 480 x 392.0 mm
 Cavity capacity: 45 l
 Max. microwave power level: 900 W
 Number of interior lights: 1
 Net weight: 36.9 kg
 Gross weight: 39.2 kg
 EAN code: 4242005326099
 Connection rating: 3600 W
 Fuse protection: 16 A
 Voltage: 220-240 V
 Frequency: 50; 60 Hz
 Length electrical supply cord: 150.0 cm



Series 8, Built-in compact oven with microwave function, 60 x 45 cm, Black CMG936AB1A

The compact microwave oven with Digital Control Ring and TFT-touchdisplay: enables you to achieve perfect baking and roasting results very quickly. Home Connect for control via the App.

Heating Functions

- Compact oven with microwave with 20 heating methods: 4D HotAir, Top/bottom heating, Hot air grilling, Full width grill, Half width grill, Pizza setting, Bottom heating, Slow cooking, Defrost, Preheat ovenware, Keep warm, Hotair gentle, Conventional heat gentle, AirFry, Pure microwave, 4D hotair + microwave, Top/bottom heat + microwave, grill + microwave, half width grill + microwave, hotair grilling + microwave
- Max. Power: 900 W; 5 Microwave power settings (90 W, 180 W, 360 W, 600 W, boost) with Inverter (MW)
- Intelligent inverter technology: maximum output power will be regulated to 600 W when used in longer operation
- Temperature range 30 °C - 300 °C
- Cavity volume: 45 net usable litres

Hook-in racks / rails

- Number of shelf levels: 3
- 1 level telescopic rail

Design

- Carbon Black Design
- Anthracite enamel cavity with 3 shelf positions
- Touch control
- Digital Control Ring

Cleaning

- EcoClean Direct: coating of back panel
- Cleaning Assistance (HydroClean program)

Convenience

- TFT-Touchdisplay Plus
- Automatic temperature proposal, Residual heat indicator, Actual temperature display
- Air Fry Function
- Crisp Finish
- Bosch Assist - a menu of dishes for automatic cooking
- HomeConnect
- Oven Assistant with Voice Control
- Automatic rapid heat function
- Drop down door
- Oven door with SoftOpen and SoftClose
- Integrated cooling fan
- LED lighting
- Electronic clock/timer with end time programming

Accessories

- 1 x Air Fry & Grill tray, 1 x combination grid, 1 x universal pan

Safety and Environment

- Child lock, Automatic safety switch off function, Residual heat indicator, Start button, Door contact switch
- Triple glazed door

Technical Info

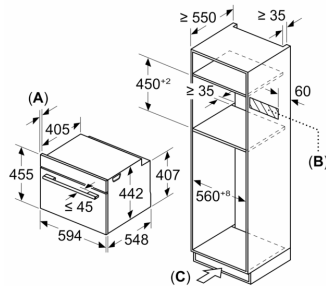
- Length of mains cable: 150 cm
- Nominal voltage: 220 - 240 V
- Total connected load electric: 3.6 KW

Dimensions

- Appliance dimensions (HxWxD): 455 mm x 594 mm x 548 mm
- Installation dimensions (HxWxD): 450 mm - 455 mm x 560 mm - 568 mm x 550 mm
- Please reference the built-in dimensions provided in the installation drawing

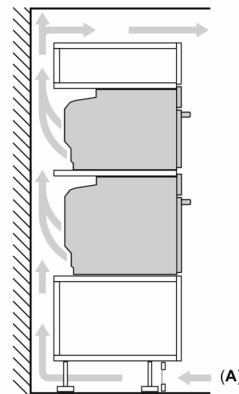
**Series 8, Built-in compact oven with
microwave function, 60 x 45 cm,
Black
CMG936AB1A**

Measurements in mm

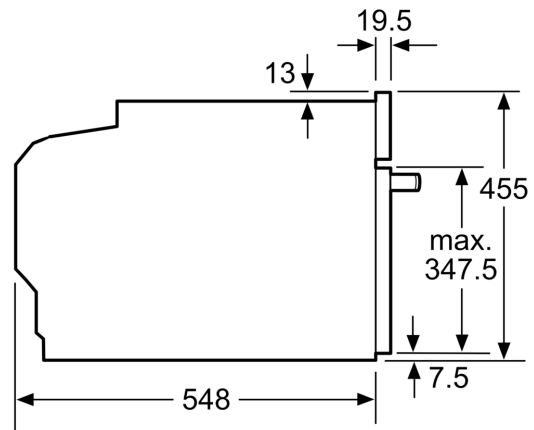
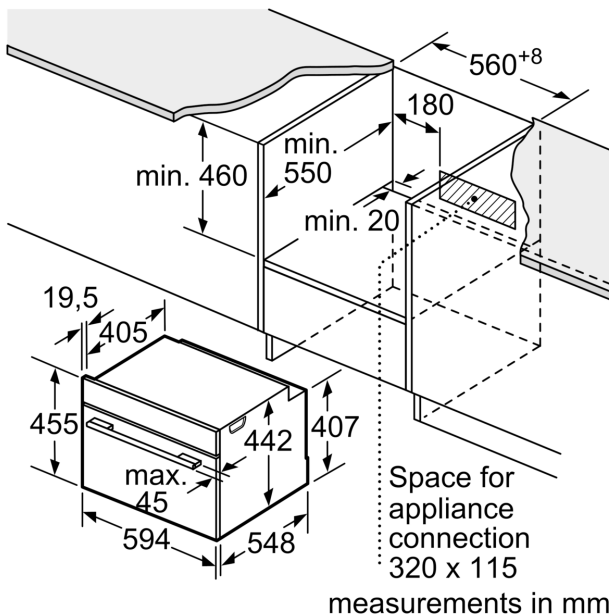


- A: 19.5 mm
- B: Space for appliance connection
320 x 115 mm
- C: Ventilation space in the base \geq
200 cm²

**Installing two appliances on top of each
other
Air exchange**

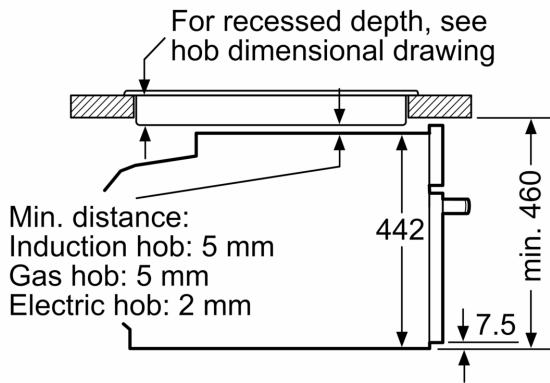


A: Air inlet \geq 200 cm²



Installation with a hob.

If the compact appliance will be installed underneath a hob, the following worktop thicknesses (including substructure if necessary) must be taken into account.



measurements in mm

Hob type	min. worktop thickness	
	fitted	flush
Induction hob	42 mm	43 mm
Full surface Induction hob	52 mm	53 mm
Gas hob	32 mm	43 mm
Electric hob	32 mm	35 mm