

Vented Dryer, 7kg

Series 5 | Vented

White

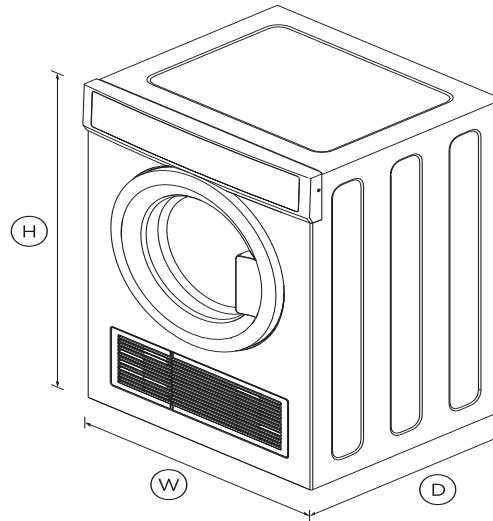


Dry your clothes efficiently without over drying, with multiple ways to install and vent.

- Auto-sensing detects moisture level to prevent under or over drying
- Six fabric care cycles including Freshen, Heavy and Delicate
- Full reverse tumbling to help dry garments quicker and more evenly
- Drying rack for items that are too precious to tumble

DIMENSIONS

Height	830mm
Width	600mm
Depth	572mm



FEATURES & BENEFITS

AUTO-SENSING TECHNOLOGY

Auto-sensing prevents over-drying by sensing moisture levels inside the drum and shutting off automatically. This helps clothes last for longer and reduces energy consumption.

CARES FOR CLOTHES

This dryer has a cycle to suit every type of load including Delicate, Heavy and Freshen. Select a cycle with the easy to use SmartTouch™ controls.

SIMPLE INSTALLATION

Vent out either the front or the back of this dryer. A wall mounting kit is included and the control panel can be inverted easily.

DRYING RACK

This model comes with a drying rack, perfect for those items that are too precious to tumble.

REVERSE TUMBLING

Reverse tumbling alternates direction to help garments move freely so they dry quicker and more evenly.

EASY LOADING

The robust dryer door features die cast metal hinges that open to a full 180° for easy access and loading.

SPECIFICATIONS

Capacity

Capacity **7kg**

Consumption

Energy rating **2 star**
Energy usage **315kWh/year**

Dry Cycles

- Air Dry
- Bulky
- Delicate
- Easy Iron
- Everyday
- Heavy
- Number of cycles **10**
- Rack dry
- Sports
- Time dry

Features

Damp dry signal	•
Drying rack	•
Easy access lint filter	•
Easy invert panel	•
End of cycle signal	•
Keylock	•
Lint filter indicator	•
Progress indicator	•
Wrinkle free option	•

The product dimensions and specifications in this page apply to the specific product and model. Under our policy of continuous improvement, these dimensions and specifications may change at any time. You should therefore check with Fisher & Paykel's Customer Care Centre to ensure this page correctly describes the model currently available. © Fisher & Paykel Appliances Ltd 2020

Performance

Auto sensing	•
Choice of front or rear venting	•
Dryness settings	5
Reverse tumbling	•
Temperature settings	4
Time dry	30,40,50... 150 mins

Product dimensions

Depth	572mm
Height	830mm
Width	600mm

Warranty

Parts and labour	2 years
------------------	---------

SKU	92278
-----	-------

Other product downloads available at fisherpaykel.com

User Guide



Service & Warranty



Installation Guide

**A PEACE OF MIND SALE****24 Hours 7 Days a Week Customer Support****T 1300 650 590 Wwww.fisherpaykel.com**