

Induction hob

HI5643FMG1

Series 5

Cooktop material: Glass Ceramic

Flexible Bridge Induction™ Technology

Installation: Built-in

Matte black

Construction and performance

- Cooktop material: Glass Ceramic
- Frame design: Without frame
- Number of cooking zones: 4
- PowerBoost function: Yes
- Front left zone type: Square zone Real Bridge™
- Front left zone dimension: 190X220
- Front left zone power: 2200 W
- Front left zone boost power: 3600 W
- Front right zone type: Square zone Real Bridge™
- Front right zone dimension: 190X220
- Front right zone power: 2200 W
- Front right zone boost power: 3600 W
- Rear left zone type: Square zone Real Bridge™
- Rear left zone dimension: 190X220
- Rear left zone power: 2200 W
- Rear left zone boost power: 3600 W
- Rear right zone type: Square zone Real Bridge™
- Rear right zone dimension: 190X220
- Rear right zone power: 2200 W
- Rear right zone boost power: 3600 W

Use and flexibility

- Bridge function: Flexible Bridge Induction™ Technology
- Functions: Frying, Auto heat, Bridge Induction, Grill, Boiling, Simmering, Move, Autobridge
- Pot detection: AutoDetect
- Multi-timer: Yes
- Pause function: Yes
- Wifi: Yes
- ConnectLife: Monitoring and control in the palm of your hand: ConnectLife

Interaction and control

- Control panel: SliderTouch, control at your fingertips

Design and integration

- Edges: Soft cut edges
- Min. niche width: 560 mm
- Width of niche size for installation max.: 562 mm
- Min. niche height: 68 mm
- Depth (incl. wall spacing): 490 mm
- Type of hob installation: Top & flush built-in installation

Safety and maintenance

- Residual heat indicator: Yes

Technical data

- Voltage (V): 220-240 V
- Frequency: 50 Hz, 60 Hz
- Time needed for the appliance to reach the applicable low power mode or condition: 1 min
- Power consumption in networked standby mode of hob (WiFi enabled): 0.701 W

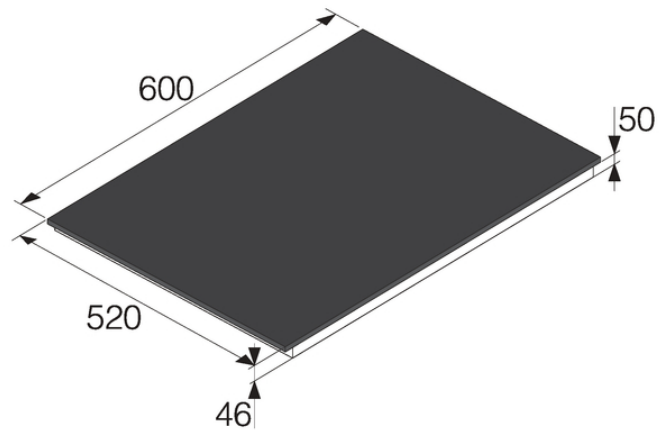
- Power consumption in standby mode of hob: 0.3 W

Dimensions

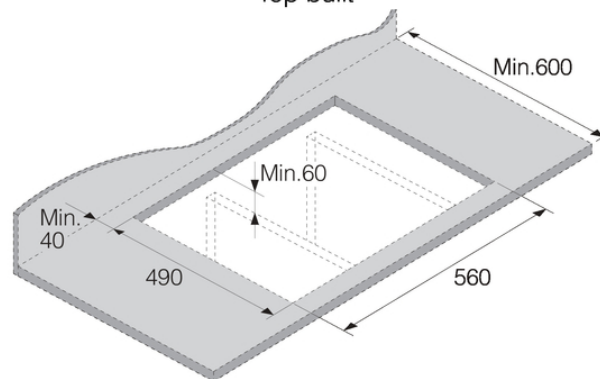
- Height: 52 mm
- Width: 600 mm
- Depth: 520 mm
- Net weight: 8.6 kg

Logistic information

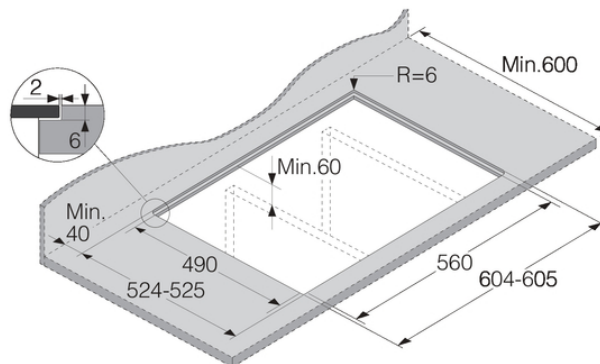
- Packaging height: 135 mm
- Packaging width: 764 mm
- Packaging depth: 684 mm
- Gross weight: 10.7 kg
- EAN code: 3838782924972
- Product code: 745341



Top built



Flush built



Installation drawing 5 Series H156XXX