

18 Bottle Wine Cabinet Single Zone

SERIES

Contemporary

AESTHETICS

Black Powder Coated Finish

Black Tinted, UV Triple Glazed Door

FUNCTIONALITY

Dual Temperature Sensor

Inverter Compressor

Digital Control Panel

Tropical Rated

Ambient Temp. up to 43°C

Internal LED Lighting (fade-in / -out)

Zero Clearance Hinge

50-80% Humidity Control

Anti-vibration

Reversible Door

TEMPERATURE RANGE

Single Zone 4°C to 22°C

STORAGE CAPACITY

Bottle Capacity 18 Bottles

Total Capacity 60L

ACCESSORIES

5 × Timber Shelves (Beech)

CLEANING

Easy to Clean Exterior

Easy to Clean Glass Doors

Automatic Defrost

MAX NOISE LEVEL

Quiet 39 dB(A) Operation

WEIGHT (KG)

Net: 31kg Gross: 34kg

SIZE, W/D/H (MM)

Packaged: 355 × 640 × 900

Physical: 295 × 580 × 846

INSTALLATION

Built-in or Freestanding

Door Open Angle: 115°

Door Open Width: 405 mm

Top Clearance Minimum 2.5cm

Side Clearance 0-5mm

POWER REQUIREMENTS

Power Connection 10 Amp, Plug

Rated Voltage 220-240V~

Rated Frequency 50Hz

Power Consumption 0.44 Wh/24h

ADDITIONAL DETAILS

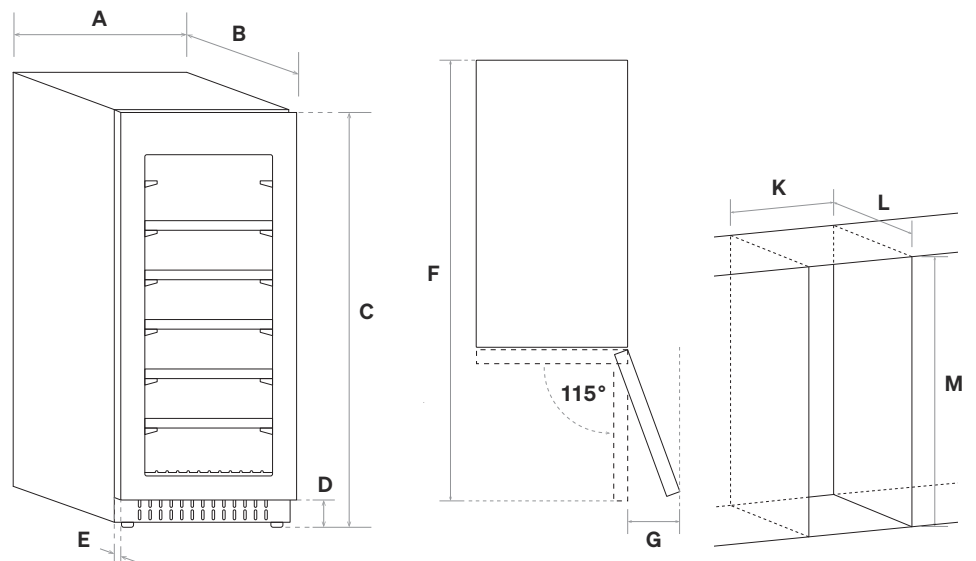
Barcode 9349260095380

Warranty 3 Years



FRONT VIEW

Note: See the user manual for detailed ventilation and installation details



DIMENSIONS (MM)

A 295	C 846-876	E 46	G 109	L 580
B 580	D 85	F 880	K 295-300	M 871-901