

LG CordZero® Handstick Vac with dual batteries

A9L-MULTI

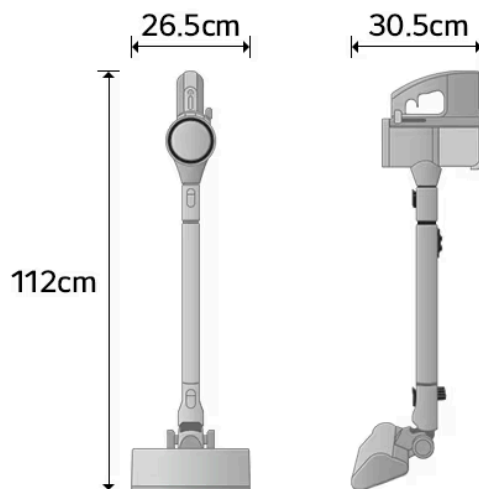
Key Features

- Up to 220W suction power
- Smart Inverter Motor™
- 5-step filtration system
- Dual Floor Max Nozzle with LED light



Summary

DIMENSIONS



All Spec

WARRANTY

Smart Inverter Motor
 2 years parts and labour warranty and an additional 8 years parts warranty on motor.

Battery
 12 Months Warranty

Product
 2 Years Parts & Labour

MATERIAL & FINISH

Body Color (Cleaner)
 Beige

EAN CODE

EAN Code

8806096530467

BASIC ACCESSORIES

Combination Tool

Yes

Cleaning Brush

No

Crevice Tool

Yes

BATTERY

Max Run Time per battery (minutes) - Power Mode with Nozzle

0

Max Run Time per battery (minutes) - Power Mode without Nozzles

0

Batteries Included (Qty)

2 (Dual)

Battery Type

Lithium-ion

Charging Time per battery (minutes)

240

Max Run Time (min/ 2 batteries) (ECO Mode)

120

Max Run Time (min/ 2 batteries) (ECO Mode+Nozzle)

70

Max Run Time (min/battery) (ECO Mode)

60

Max Run Time (min/battery) (ECO Mode+Nozzle)

35

Max Run Time per battery (minutes) - Normal Mode without Nozzles

30

Max Run Time per battery (minutes) - Normal Mode with Nozzle

20

Max Run Time per battery (minutes) - Turbo Mode without Nozzles

7

Max Run Time per battery (minutes) - Turbo Mode with Nozzle

6

Min Capacity (mAh)

2300

Rated Capacity (mAh)

2400

Rated Voltage (V) (DC)

25.9

DIMENSIONS & WEIGHTS (CLEANER)

Box Dimensions (WxHxD mm)

1025 x 285 x 295

Product Dimensions (WxHxD mm)

265 x 1120 x 305

Weight (kg)

2.88

Max Product Height (mm)

1120

Weight include packing (kg)

5.85

FEATURES (CLEANER)

One-Touch Control

Yes

Sound Power Level - Turbo Mode (dB)

82

Type

Thumb Touch Control

Cordless Hand Stick

Dual Battery Pack

Yes

5-Step Filtration System

Yes

Auto Stop&Go

No

Charging and Storage

3 Ways (Wall-mount/Floor-standing/Compact installation)

Convert to Handheld

Yes

Filter Cleaning Cycle Alarm Indicator

Yes

Telescopic Pipe (4 Lengths)

Yes**Yes**

Smart Inverter Motor

Yes

AEROSCIENCE

Yes

Battery Status Indicator

Yes

Clogged Objects Indicator

Yes

Cyclone Technology

Axial Turbo Cyclone

Kompressor Technology

Yes**NOZZLES**

Multi-Surface Power Drive™ Nozzle

No

Dual Nozzle with LED Lighting (Carpet + Hard Floors)

Yes

LED Lighting Wide Plus Nozzle

No

Power Drive™ Mini Nozzle

No

Smart steam mop

No

Power Drive™ Hot Mop Nozzle

No

Bedding Power Punch™

No

Wide Slim Nozzle with LED Lighting

No

Power Drive™ Mop Nozzle

No

Slim Power Drive™ Nozzle

No

Spray Mop Nozzle with LED Lighting

No**OTHER TOOLS AND ACCESSORIES**

Hard Dirt Tool

No

Extra Pre-filter

No

Extendable Hose Extension

No

Flexible Crevice Tool

No

Accessory Bag

No

Detachable Nozzle and Mop Pads Storage

No

Extra Exhaust Filter

No

Mattress Tool

No

Mop Pads (Qty)

0

Multi-angle Tool

No

Water Tank Filler (Measuring Cup) for Mop Nozzle

No

PERFORMANCE (CLEANER)

Max Power Consumption - Turbo Mode (W)

650

Power Mode

Eco / Normal / Turbo

Dust Bin Capacity (L)

0.4

Dust Bin Capacity (L) (When compressed)

1.0

Max Suction Power (W)

220

Rated Power Consumption (W)

350

SMART TECHNOLOGY

ThinQ(Wi-Fi)

No

Cleaning History

No

Filter Cleaning Cycle Alarm

Yes

Filter Cleaning Guide

Yes

Smart Diagnosis

No