

**Series 6, fully-integrated dishwasher,  
60 cm  
SMV6HCX01A**



Door panel not included. Match to kitchen cabinetry.



**Wifi connected dishwasher with an Extra Clean zone in the upper basket for heavily soiled dishes.**

- **ExtraDry:** option for additional drying.
- **Max Flex baskets:** flexible and stable loading for your dishes, with superior sliding performance.
- **Rackmatic:** top basket adjustable on three levels offers additional space, especially for tall dishes.
- **Silence Plus:** the pleasingly quiet 44 dB dishwasher.
- **Home Connect:** home appliances with smart connectivity for an easier everyday life.

---

**Technical Data**

Water consumption : 11.0 l

Built-in / Free-standing : Built-in

Height of removable worktop : 0 mm

Dimensions of the product (HxWxD) : 815 x 598 x 550 mm

Required niche size for installation (HxWxD) : 815-875 x 600 x 550 mm

Depth with open door 90 degree : 1150 mm

Adjustable feet : Yes - all from front

Maximum adjustability feet : 60 mm

Adjustable plinth : Both horizontal and vertical

Net weight : 40.1 kg

Gross weight : 42.0 kg

Connection Rating : 2400 W

Fuse protection : 10 A

Voltage : 220-240 V

Frequency : 50; 60 Hz

Length electrical supply cord : 175 cm

Plug type : AU plug

Length inlet hose : 165 cm

Length outlet hose : 190 cm

EAN code : 4242005280797

Number of place settings : 15

Energy consumption : 0.65 kWh

Total cycle time of reference programme : 195 min

Noise level : 44 dB(A) re 1 pW

Installation typology : Fully-integrated



4 242005 280797

## Series 6, fully-integrated dishwasher, 60 cm SMV6HCX01A

### Wifi connected dishwasher with an Extra Clean zone in the upper basket for heavily soiled dishes.

#### Capacity

- Capacity: 15 place settings

#### Consumption rates

- 4 Star energy rating, 5.5 stars Star WELS water rating
- 11 litres water consumption per wash and 245 kWh energy consumption per year, based on the Eco AU 45 °C program with a cold water connection

#### Design

- Stainless steel interior tub
- SoftTouch buttons: Electronic soft-touch activated buttons
- Hidden control buttons integrated into the top of the door

#### Wash Programs and Options

- 8 Programmes:
  - Eco Wash : Energy efficient wash & dry. Mixed loads & soil levels,
  - Auto Wash: Automatic wash & dry. Mixed loads & soil levels,
  - Auto Gentle : Automatic wash and dry program for delicate and lightly soiled dishes,
  - Pots & Pans: for heavily soiled dishes,
  - Quick 1h: quick wash & dry for mixed loads & soil levels,
  - Express wash: Wash only for lightly soiled dishes,
  - ExtraQuiet: extended quiet wash & dry program for mixed loads & soil levels,
  - Favourite: set or download your favourite combination
- Special options:
  - Extra Dry: Provides an even better drying result by extending the drying time
  - HygienePlus : Extended increased temperature program for hygienic cleaning
  - SpeedPerfect : Reduce wash time even after cycle has started
- Machine Care: maintains your dishwasher's optimum performance and hygiene option
- Extra quiet programme with lower dB(A)

#### Performance

- Extra Clean Zone: Provides an even better cleaning result for items placed directly over the three rotating nozzles in the top basket
- DosageAssist™: Maximises the effectiveness of detergent tablets. The tablet is dropped into a specially engineered

tray and is completely dissolved. For superior cleaning performance and a quieter wash.

- EcoSilence Drive® quiet and energy-efficient brushless motor (BLDC)
  - BLDC Main Pump: Variable water & spray pressure to achieve optimum cleaning results
  - BLDC Drain Pump: Fast and extra quiet draining of water, no gargling sounds
- hydroDry heat exchanger assists with condensation to help dry dishes
- AutoBrilliance™: Automatic detergent and rinse aid sensor
- 5 Spray levels for maximum water contact and optimum wash results
- 3 stage self-cleaning filter system: design that helps reduce the need to wash the filter and prevents blockages

#### Flexibility

- Basket system with red coloured touchpoints provides total flexibility for all loading requirements
- VarioDrawer™: Provides an extra loading level for cutlery and utensils
- RackmaticPlus™: 3-stage top basket can be adjusted to three height levels to maximise convenience
- Ball bearing on top basket for an easy glide
- Low friction wheels on bottom basket
- Rack Stopper to prevent derailing of bottom basket
- 2 foldable plate racks in top basket
- 6 foldable plate racks in bottom basket
- Anti-slip protection strips in upper rack
- Moveable cutlery basket in lower basket

#### Convenience

- Very quiet operation - 44 dB
- HomeConnect via WiFi Connectivity
- Inflight : Program Status Indicator
- Time remaining display
- Audible program end
- Time delay start: Delay program start time by 1-24 hours to suit your schedule

#### Safety

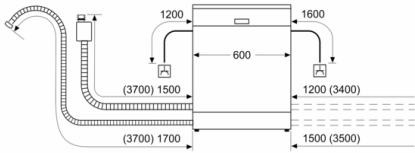
- AquaStop™ Plus: Water supply device with lifetime anti-flood protection
- Child door lock

#### Product Dimensions (H x W x D)

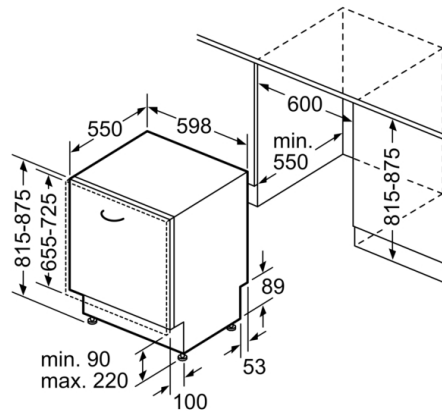
- Height 815-875 mm x Width 598 mm x Depth 550 mm

## Series 6, fully-integrated dishwasher, 60 cm SMV6HCX01A

measurements in mm



⌚ socket  
( ) values with extension kit



measurements in mm