

526L Integrated Quad Door Refrigerator

SERIES

Professional

AESTHETICS

Dark Grey Internal Finish

LED Touch Controls

LED Illuminated Shelving

Dark Stainless Steel Internal Metal Lining

Internal LED Lighting (Fridge & Freezer)

Spill Proof Glass Shelves (All 4 Sides)

Dark Metal Door Bins w. Metal Base Tray

FUNCTIONALITY

Inverter Compressor

Hettich Heavy-duty Door-on-door Hinge

Frost Free

360 Climate Control

Metal Cooling & Pure Air Circulation

Fast Chill, Fast Freeze & Ultra Freeze

Flexible Storage System

Open Door Alarm & Soft Closing Doors

Child Lock Safety

Anti Odour Filter

ACCESSORIES

Drawers: 2 (Fridge), 6 (Freezer)

Shelves: 4 (Fridge)

Door Bins: 6 (Fridge)

STORAGE CAPACITY

Total Capacity 526L

Fridge Capacity 333L

Freezer Capacity 175L

Variable Zone Capacity 18L

TEMPERATURE RANGE

Fridge 2°C to -8°C.

Freezer -15°C to -23°C.

Variable Zone -4°C, 0°C, 4°C

FUNCTIONS

Fast Chill 150 mins

Fast Freeze 24 hrs

Ultra Freeze 2 hrs

MAX NOISE LEVEL

Quiet 38 dB(A) Operation

SIZE, W/D/H (MM) *Includes Feet Height

Packaged: 1035 × 653 × 2078

Physical: 962 × 572 × 1996*

WEIGHT (KG)

Net: 147

Gross: 171

INSTALLATION

Built-in Installation

Door Open Angle: 115°

Door Open Width: 1380 mm

CONSUMPTION

Energy Rating (MEPS) 5.5 Stars

Energy Consumption 300 kWh/year

POWER REQUIREMENTS

Power Connection 10 Amp, Plug

Rated Voltage 220–240V~, 50Hz

ADDITIONAL DETAILS

Barcode 9349260095090

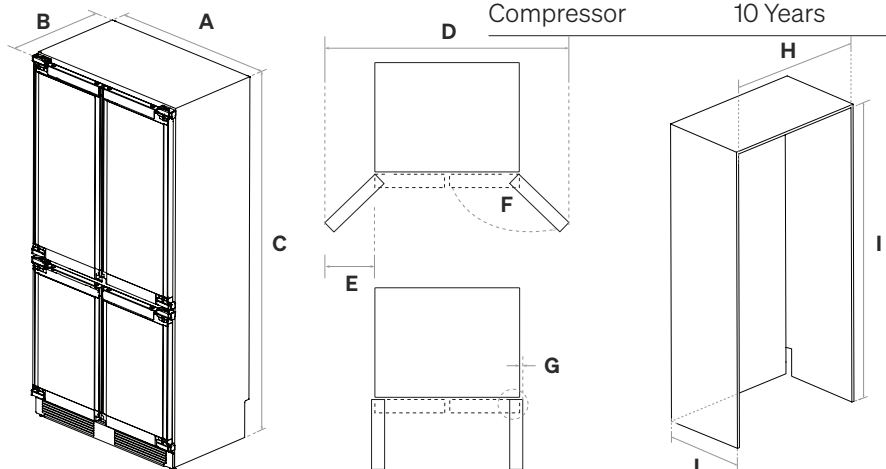
Warranty 3 Years

Compressor 10 Years



FRONT VIEW

Note: See the user manual for detailed ventilation and installation details



DIMENSIONS (MM)

A 962	B 572	C 1996	D 1380	E 212
F 115°	G 3	H 964	I 2000	J 580