

# Freestanding Quad Door Refrigerator Freezer, 90.5cm, 690L, Ice & Water

Series 7 | Contemporary

Stainless Steel | French hinge



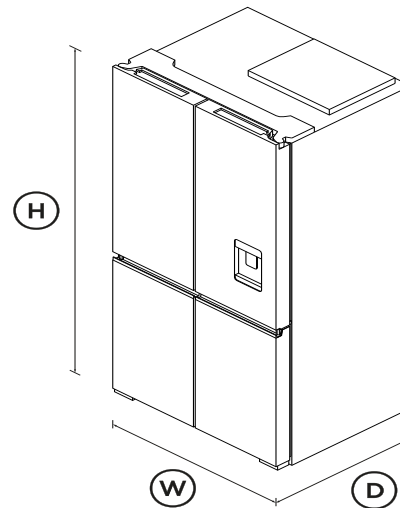
Our largest capacity Quad Door model has ample storage space and Variable Temperature Zone technology, with a stylish stainless steel finish.

- Recessed handles for a sleek look to complement any kitchen design
- 4 star energy rating
- Convenient access to fresh, chilled water and ice
- Easy-to-use touch control panel and Wi-Fi capability

- Extra large capacity, with Variable Temperature Zone technology for optimal food storage

## DIMENSIONS

Height	1900mm
Width	905mm
Depth	748mm



## FEATURES & BENEFITS

### EXTRA LARGE CAPACITY

With extra large capacity and flexible shelving, this refrigerator freezer has plenty of room for you to stack and organise all your groceries. Three large humidity bins in the fridge provide ample space for fresh fruit and vegetables, while fully extendable freezer drawers give easy access to frozen foods.

### VARIABLE TEMPERATURE ZONE

When it comes to optimal food preservation, one temperature does not fit all. Variable Temperature Zones give you full control over the way you care for food. At the touch of a button, easily convert the lower right compartment to Freezer, Soft Freeze, Chill or Fridge mode to best suit different types of food. Adjust zones for maximum everyday convenience, or change modes to provide additional chilling capacity for special occasions.

### CHILL MODE

Keep ready-to-eat food fresher for longer with Chill Mode (-2 to 1°C). Chill Mode is a perfect solution for everyday life. It keeps meats, poultry and fish as cool as possible, retaining vital freshness and helps food retain its condition for around three times longer than Fridge Mode. It's also great for entertaining. Set a zone to Chill Mode to quickly bring beverages down to serving temperature.

### SOFT FREEZE MODE

Soft freeze (-9 to -5°C) is perfect for food that will be consumed soon – but not right away. Set a zone to Soft Freeze Mode and enjoy optimal food storage and everyday convenience. Soft frozen food requires only a quick thaw rather than a full defrost. It is the ideal setting for easy portioning, such as cut loaves of bread, soups and even cured meats.

### SLIMLINE WATER DISPENSER AND ICE MAKER

The slimline dispenser makes it easy to fill almost any sized jug or vessel with cool filtered water, while fresh ice is always available for you in a dedicated freezer bin. Use the boost feature during busy times to increase ice production.

### ACTIVESMART™ FOODCARE

ActiveSmart™ Foodcare learns how you live. It is technology that understands how you use your fridge and adjusts temperature, airflow and humidity inside to help keep food fresher for longer.

### CONSIDERED DESIGN

Recessed handles and flat doors create a streamlined look to fit any kitchen aesthetic. With the choice of natural stainless steel, elegant black stainless steel or matte-black glass, you can pick

the finish that best complements your kitchen design.

## SPECIFICATIONS

### Accessories (sold separately)

Water filter replacement **847200**

### Capacity

Volume **690L**  
 Volume freezer **118L**  
 Volume refrigerator **453L**  
 Volume variable temperature **119L**

### Consumption

Energy rating **4 star**  
 Energy usage **463kWh/year**

### Features

Adjustable door shelves **6**  
 Adjustable glass shelves **2**  
 Door alarm •  
 Front levelling feet •  
 Fruit and vegetable bins **3**  
 Full extension runners •  
 Internal water dispenser •  
 LED lighting •  
 Rear rollers •  
 SmartTouch control panel •  
 Ultra slim water dispenser •  
 Wi-Fi capable •

Wi-Fi connectivity •

### Freezer Features

Automatic ice maker •  
 Bottle chill •  
 Door alarm •  
 Fast freeze •  
 Freezer bins **1**  
 Freezer trays **1**  
 Full extension clear bins **1**  
 Ice Boost •  
 Ice bin and scoop •  
 LED lighting •

### Installation Dimensions

Minimum inside width of **945mm**  
 Minimum internal depth of **690mm**  
 Minimum internal height of **1920mm**

### Performance

ActiveSmart™ Foodcare •  
 Frost free freezer •  
 Humidity control system •  
 Internal replaceable water filter •  
 Inverter controlled compressor •  
 R600a refrigerant •  
 Sabbath mode •  
 Variable food modes **Fridge, Chill, soft freeze,**  
 Variable temperature •

### Power requirements

Rated current **1.8A**  
 Supply voltage **220 - 240V**

### Product dimensions

Depth **748mm**  
 Depth (excluding handles) **748mm**  
 Depth (less door) **662mm**  
 Height **1900mm**  
 Height to top of cabinet **1900mm**  
 Height to top of door **1068mm**  
 Width **905mm**

### Warranty






Parts and labour **2 years**

SKU **26615**

The product dimensions and specifications in this page apply to the specific product and model. Under our policy of continuous improvement, these dimensions and specifications may change at any time. You should therefore check with Fisher & Paykel's Customer Care Centre to ensure this page correctly describes the model currently available. ? Fisher & Paykel Appliances Ltd 2020

---

Other product downloads available at [fisherpaykel.com](http://fisherpaykel.com)

-  [User Guide Freestanding Quad Door Refrigerator Freezer](#)
-  [Service & Warranty](#)
-  [Energy Label Freestanding Refrigerator Freezer](#)
-  [Installation Guide Freestanding Quad Door Refrigerator Freezer](#)
-  [Data Sheet Quad Door Refrigerator Freezer](#)



**A PEACE OF MIND SALE**

24 Hours 7 Days a Week Customer Support

T 1300 650 590 **W** [www.fisherpaykel.com](http://www.fisherpaykel.com)