



Font Kit Brushed Gunmetal

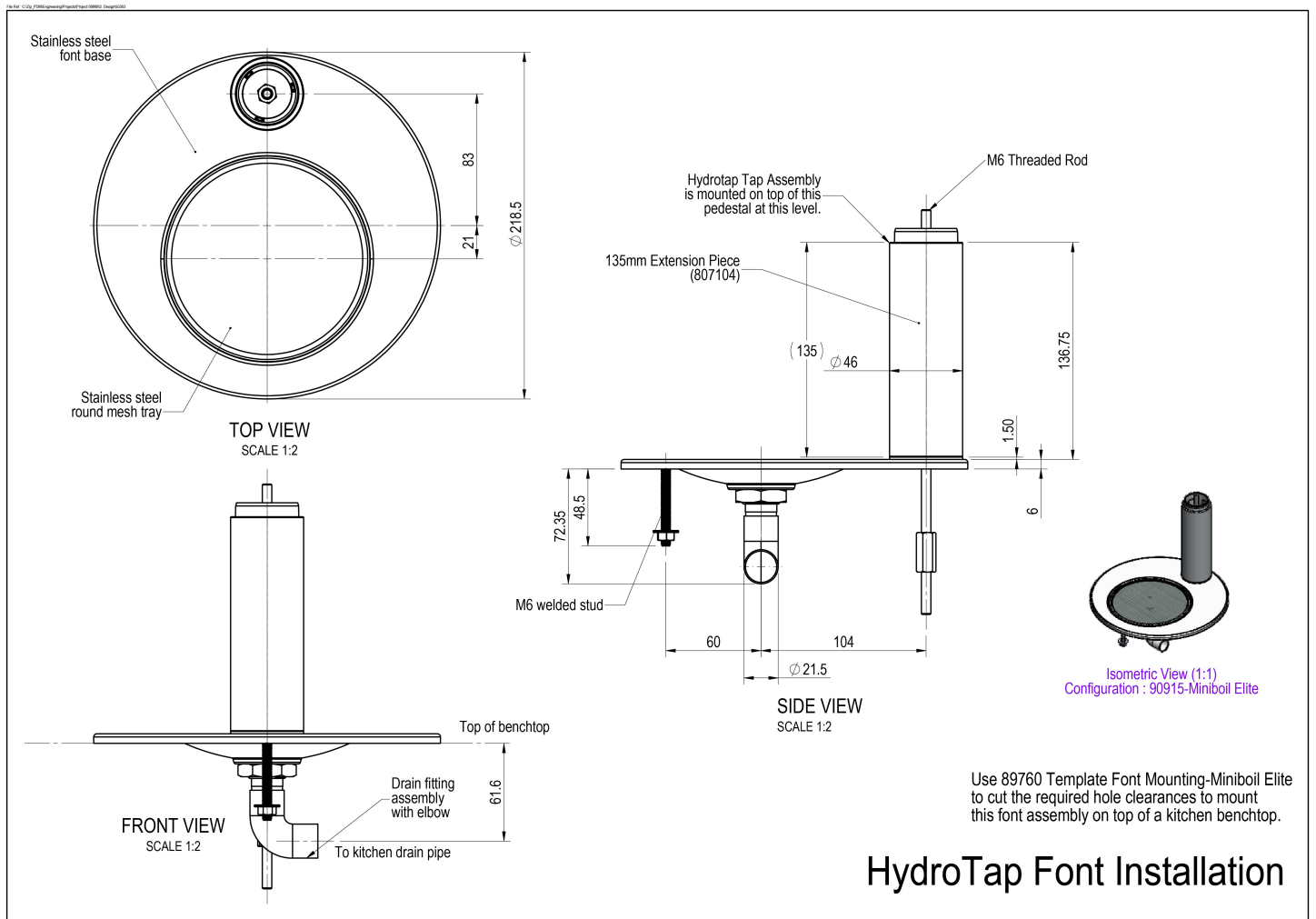
Font Kit Assembly Brushed Gunmetal - fits Classic, Classic Plus, Touch-Free Wave, Elite Plus and Miniboil Classic (with extension)

Product code: 90915Z19

Capacity: Commercial & Residential

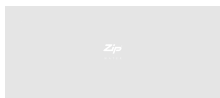
Installation

Files



Installation layout (PDF)

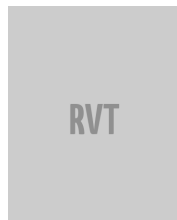
BIM files



ArchiCAD Zip Water Library (LCF)



Revit project file



Revit virtual showroom

Download all



↓ Quick guide (PDF)