

Refrigerator

Simple user manual

- For detailed instructions on installation and cleaning of the appliances, visit the Samsung website (<http://www.samsung.com>), go to Support > Support home, and then enter the model name.
- To check the product's model name, see the label enclosed with the product or attached to the product.
- Open a QR code scanner app and scan the QR code image attached to the product. You can access 'Product registration', 'Manual', and 'Customer support'.
- Figures and illustrations are provided for reference only and may differ from the actual product appearance. Product design and specifications may change without notice.



Scan this with your phone.

Safety information

- Congratulations on your new Samsung appliances. This manual contains important information on the installation, use, and care of your appliances. Read this manual thoroughly before using the appliances to ensure that you know how to safely and efficiently operate the features and functions that your new appliances offers.

Important safety symbols

What the icons and signs in this user manual mean:

WARNING

Hazards or unsafe practices that may result in **severe personal injury, death and/or property damage.**

CAUTION

Hazards or unsafe practices that may result in **personal injury and/or property damage.**

Read the instructions

After reading this manual, store it in a safe place for future reference.
Read all instructions before using the appliance.

NOTE

Supplementary information that may be useful

Safety information

WARNING

Failure to follow the instructions may result in electric shock, injury, fire, breakdown or explosion.

Important safety precautions



WARNING; Risk of fire / flammable materials

1. This appliance is not intended for use by persons (including children) with reduced physical, sensory or mental capabilities, or lack of experience and knowledge, unless they have been given supervision or instruction concerning use of the appliance by a person responsible for their safety.
2. **For use in Europe :** This appliance can be used by children aged from 8 years and above and persons with reduced physical, sensory or mental capabilities or lack of experience and knowledge if they have been given supervision or instruction concerning use of the appliance in a safe way and understand the hazards involved. Children shall not play with the appliance. Cleaning and user maintenance shall not be made by children without supervision. Children aged from 3 to 8 years are allowed to load and unload refrigerating appliances.
3. Children should be supervised to ensure that they do not play with the appliance.
4. If the supply cord is damaged, it must be replaced by the manufacturer, its service agent or similarly qualified persons in order to avoid a hazard.
5. This appliance contains a small amount of combustible refrigerant isobutane (R-600a). For installation, handling, servicing and disposal of the appliance, care should be taken to ensure that no parts of the refrigerating circuit are damaged.
6. R-600a or R-134a is used as a refrigerant. Check the compressor label on the rear of the appliance or the rating label inside the fridge to see which refrigerant is used for your appliance. When this product contains flammable gas (Refrigerant R-600a), contact your local authority in regard to safe disposal of this product.

-
7. Do not damage the refrigerant circuit.
 8. To avoid the creation of a flammable gas-air mixture if a leak in the refrigerating circuit occurs, the room size must be 1 m³ in size for every 8 g of R-600a refrigerant inside the appliance. And, unplug the appliance showing any signs of damage and please consult to your dealer if in doubt.
 9. Cyclopentane is used in the insulation. The gases in the insulation material require a special disposal procedure. Please contact your local authorities for environmentally safe disposal.
 10. The socket must be easily accessible so that the appliance can be quickly disconnected from the supply in an emergency.
 11. When positioning the appliance, ensure the supply cord is not trapped or damaged.
 12. Do not locate multiple portable socket-outlets or portable power supplies at the rear of the appliance.
 13. This appliance is intended to be used in household and similar applications such as
 - staff kitchen areas in shops, offices and other working environments;
 - farm houses and by clients in hotels, motels and other residential type environments;
 - bed and breakfast type environments;
 - catering and similar non-retail applications.
 14. Keep ventilation openings, in the appliance enclosure or in the builtin structure, clear of obstruction.
 15. Do not use mechanical devices or any other means to accelerate the defrosting process, other than those recommended by the manufacturer.
 16. Do not use electrical appliances inside the food storage compartments of the appliance, unless they are of the type recommended by the manufacturer.
 17. Do not keep volatile or flammable objects or substances in the refrigerator.
 - This refrigerator is for storing food only.
 - This may result in fire or explosion.

Safety information

18. Do not store explosive substances such as aerosol cans with a flammable propellant in this appliance.
19. For the most efficient use of energy, please keep the all inner fittings such as baskets, drawers, shelves on the position supplied by manufacturer.
20. Connect to potable water supply only. (applicable models only)
21. Fill with potable water only. (applicable models only)
 - Fill the water tank, ice tray and water cubes only with potable water (mineral water or purified water).
 - Do not fill the tank with tea, juice or sports drink, this may damage the refrigerator.
22. New hose-sets supplied with the appliance are to be used and old hose-sets should not be reused.
23. Please connect to the potable water supply only. Water pressure of 206-861 kPa(30-125 psi) is required for the correct operation.
24. If the product is equipped with LED lamps, please contact a local Samsung service centre or it's agents to replace the lamps.
25. To avoid contamination of food, please respect the following instructions:
 - Opening the door for long periods can cause a significant increase of the temperature in the compartments of the appliance.
 - Clean regularly surfaces that can come in contact with food and accessible drainage systems.
 - Clean water tanks if they have not been used for 48 h; flush the water system connected to a water supply if water has not been drawn for 5 days.
 - Store raw meat and fish in suitable containers in the refrigerator, so that it is not in contact with or drip onto other food.
 - Two-star frozen-food compartments are suitable for storing prefrozen food, storing or making icecream and making ice cubes.
 - One-, two- and three-star compartments are not suitable for the freezing of fresh food.
 - If the refrigerating appliance is left empty for long periods, switch off, defrost, clean, dry, and leave the door open to prevent mould developing within the appliance.
26. The temperature of two star section (sections) or compartment (compartments) which have two star symbol (☆☆) is slightly higher than other freezer compartment (compartments).

Installation

- This appliance should only be transported by two or more people holding the appliance securely.
- Install the appliance on a firm and level floor.
- Do not install the appliance in a damp and dusty place. Do not install or store the appliance in any outdoor area, or any area that is subject to weathering conditions such as direct sunlight, wind, rain, or temperatures below freezing.
- Do not place the appliance in direct sunlight or expose it to the heat from heating appliances such as stoves or heaters.
- Be careful not to expose the rear of the appliance when installing.
- Install the appliance in a place where it is easy to unplug the power plug of the appliance.
- Be careful not to let the appliance door fall during assembly or disassembly.
- Be careful not to pinch, crush, or damage the power cable during assembly or disassembly of the appliance door.
- Be careful not to point the power plug up or let the appliance lean against the power plug.
- Do not connect a plug adapter or other accessories to the power plug.
- Do not modify or extend the power cable.
- Ensure that the outlet socket is properly grounded, and that the earth pin on the power cord is not damaged or removed from the power plug. For more details on grounding, inquire at the Samsung Electronics service centre.
- This appliance is equipped with a power cord having an equipment-grounding conductor and a grounding power plug. The power plug must be plugged into an appropriate outlet socket that is installed and grounded in accordance with all local codes and ordinances.
- Never start up an appliance showing any signs of damage. If in doubt, consult your dealer.
- Do not plug the appliance into a multi-socket adapter which does not have a power cable (mounted).
- The appliance should be connected to a dedicated power line which is separately fused.
- Do not use a multi-socket outlet which is not properly grounded (portable). In case of using a properly-grounded multi-socket (portable), use the multi-socket outlet with the current capacity of the power cord rating or higher and use the multi-socket outlet only for the appliance.
- Dispose of all packaging materials (such as plastic bags and styrofoam) away from children. The packaging materials can cause suffocation.

Operation

CAUTION

To reduce the risk of minor injury to persons, malfunction, or damage to the product or property when using this product, follow basic precaution, including the following:

- Be careful of nearby children when you open or close the appliance door. The door may bump the child and cause injury.
- Avoid the danger of children getting trapped inside the appliance. A child trapped inside the appliance can cause suffocation. Do not touch frozen food or the metal parts in the freezer compartment with wet or damp hands. It may cause frostbite.
- Do not place glass containers, bottles or cans (especially those containing carbonated drinks) in the freezer compartment, shelves or ice bin that will be exposed to temperatures below freezing.
- The tempered glass on the front side of the appliance door or the selves can be damaged by an impact. If it is broken. Do not touch it with hands.
- Do not hang from the appliance doors, storage room, shelf or climb up into it.
- Do not store an excessive amount of water bottles or containers for side dishes on the door baskets.
- Do not open or close the appliance door with excessive force.
- If the hinge of the appliance door is damaged or operates improperly, stop using the appliance and contact an authorized service centre.
- Prevent animals from nibbling on the power cable or water hose.
- Never eat frozen foods immediately after they have been taken out in the freezer compartment.
- Make sure not to get a hand or foot stuck upon opening or closing the appliance door or door in door.

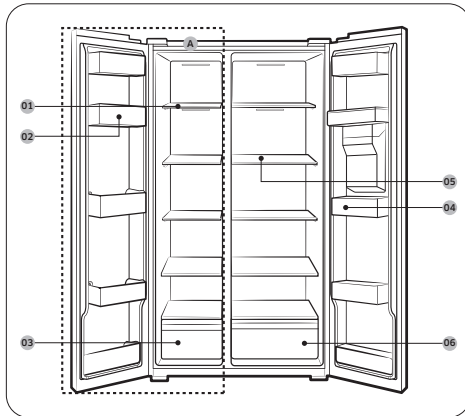
Maintenance

- Do not clean glass shelves or covers with warm water when they are cold. They may shatter if exposed to sudden temperature changes.
- Do not insert the shelves upside down. The shelves may fall.
- To remove frost from the appliance, contact the Samsung Electronics service centre.
- Dispose of the ice inside the ice bin in the freezer compartment during an extended power outage.

Installation

Refrigerator at a glance

The actual refrigerator and provided component parts of your refrigerator may differ from the illustrations in this manual, depending on the model and the country.



- 01 Freezer shelves
- 02 Multipurpose freezer bin
- 03 Dried food and meat storage drawer
- 04 Fridge bin
- 05 Fridge shelves
- 06 Vegetable drawer

A. Freezer

NOTE

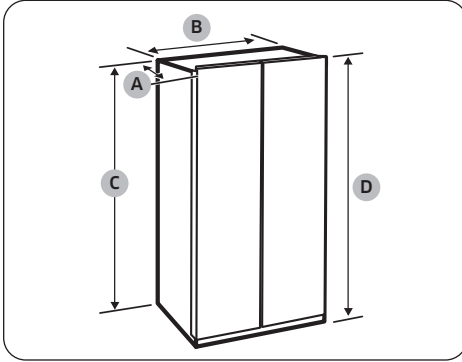
The design of the egg container may differ with the model.

CAUTION

For normal models, do not change the position of the freezer shelves. Freezer shelves have different lengths, and if you change the position, you may damage the product when closing the door.

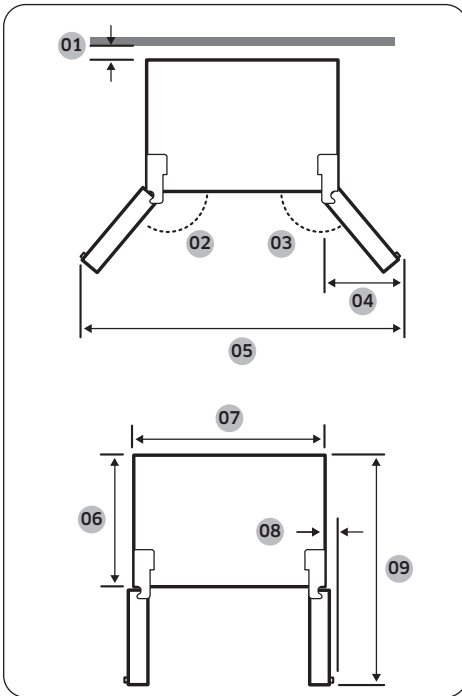
Clearance

See the following figures and tables for installation space requirements.



Depth "A"	716
Width "B"	912
Height "C"	1744
Overall Height "D"	1780

(unit : mm)



01 more than 50 mm recommended

02 165°

03 165°

04 564 mm

05 1726 mm

06 610 mm

07 908 mm

08 29 mm

09 1165 mm

NOTE

The measurements in the table above may differ slightly from the actual measurements, depending on the measuring and rounding method.

Maintenance

Cleaning

Interior and exterior

 **WARNING**

- Do not use benzene, thinner, vinegar, liquid bleach, baking soda, citric, salt mixtures or home/car detergent such as Clorox™ for cleaning purposes. They may damage the surface of the refrigerator and cause a fire.
- Do not spray water onto the refrigerator. This may cause electric shock.

Regularly use a dry cloth to remove all foreign substances such as dust or water from the power plug terminals and contact points.

- 1 Unplug the power cord.
- 2 Use a moistened, soft, lint-free cloth or paper towel to clean the refrigerator's interior and exterior.
- 3 When done, use a dry cloth or paper towel to dry well.
- 4 Plug in the power cord.

LED Lamps

To replace the lamps of the refrigerator, contact a local Samsung service centre.

 **WARNING**

The lamps are not user-serviceable. Do not attempt to replace a lamp yourself. This can cause electric shock.

Appendix

Install Instruction

For refrigerating appliances with climate class

- Depending on the climate class, this refrigerating appliance is intended to be used at ambient temperatures range as specified following table.
- The climate class can be found on the rating plate. The product may not operate properly at temperatures outside of the specific range.
- You can find climate class on label inside of your refrigerator

Instructions about the WEEE



Correct Disposal of This Product (Waste Electrical & Electronic Equipment) (Applicable in countries with separate collection systems)

This marking on the product, accessories or literature indicates that the product and its electronic accessories (e.g. charger, headset, USB cable) should not be disposed of with other household waste at the end of their working life. To prevent possible harm to the environment or human health from uncontrolled waste disposal, please separate these items from other types of waste and recycle them responsibly to promote the sustainable reuse of material resources.

Household users should contact either the retailer where they purchased this product, or their local government office, for details of where and how they can take these items for environmentally safe recycling.

Business users should contact their supplier and check the terms and conditions of the purchase contract. This product and its electronic accessories should not be mixed with other commercial wastes for disposal.

Memo

Memo

SAMSUNG

AUSTRALIA	1300 362 603 (Other) 1300 425 299 (HHP)	www.samsung.com/au/support
NEW ZEALAND	0800 726 786 (All Product) 0800 6 726 786 (Support for Smart Mobile Devices)	www.samsung.com/nz/support



DA68-04858F-00