

BB06851MDX 85 L Multifunction Aeroperfect™ 60 cm Built-in Oven with Airfry



Main Cavity Gross Volume
85 L

Number of Functions
8

Oven Feature
Aeroperfect™

Cleaning Feature
Catalytic Back Wall

Main Features

Oven feature:	Aeroperfect™ Technology Airfry Technology
Gross Volume:	85 Litres
Net Volume:	75 Litres
Detachable Side Racks:	5 Levels
Control Type:	Digital Touch Button Display/Knob
Grill Type:	Electric
Cooling Fan:	Yes
Max. Temperature:	295°C
Total Power Consumption:	2.6 kW
Fuse:	16 A

Design

Colour:	Black Glass, Dark Stainless Steel
Illumination:	1 x Round (Top)
Layers of Door Glass:	3
Inner Door Type:	Full Glass (removable)

Cleaning

Steam Cleaning:	Yes
Catalytic Liner on Back Wall:	Yes
Easy Clean Inner Door Glass:	Yes

Accessories

Standard Telescopic Shelving:	1 Level (Standard)
Cooking Tray (Standard):	1
Cooking Tray (Pastry):	1
Tray Rack (Standard):	1
Wire Shelf:	2
Airfry Tray:	1

Functions

Number of Functions	8
Top & Bottom Heating	Bottom Heating
Fan Assisted Top/Bottom	Fan Heating/ Airfry
3D Function	Full Grill
Low Grill+Fan	Defrost
Other Functions	
Steam Add Cooking	

Dimensions & Weights

Product external dimensions:	595 (H) x 594 (W) x 567 (D) mm
Built-in dimensions (cabinet):	See Diagram Page 2
Height:	590 mm
Width:	560 mm
Depth:	550 mm
Built-in dimensions (under bench):	See Diagram Page 2
Height:	600 mm
Width:	560 mm
Depth:	550 mm
Unpacked Weight:	32.7 kg
Packaged Height:	655 mm
Packaged Width:	660 mm
Packaged Depth:	660 mm
Packaged Weight:	35.0 kg

SKU:	7729486388
Ean Code:	8690842424182
Manufacturers Warranty:	2 Years + 3 Years by Registration
Launch Date:	September 2023

BB06851MDX

85 L Multifunction Aeroperfect™ 60 cm Built-In Oven with Airfry



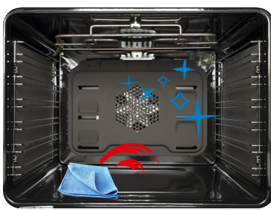
Aeroperfect™ Technology - Bake perfect cupcakes, roast a delicious Sunday dinner or use the grill to make a hearty but healthy breakfast. Aeroperfect™ technology provides uniform hot air distribution throughout the oven and minimises temperature fluctuation, ensuring even and precise cooking every time. SteamAdd also ensures pastries are fluffier and meat is juicier.



Airfry Technology - Beko AirFry technology integrates an airfryer in the size of your oven! This oven evenly distributes heat, using powerful heaters, and a high-speed fan system. The special AirFry accessory circulates hot air, making food crispy outside and soft inside, without the need for much oil. With this function and accessory, who needs an extra appliance?

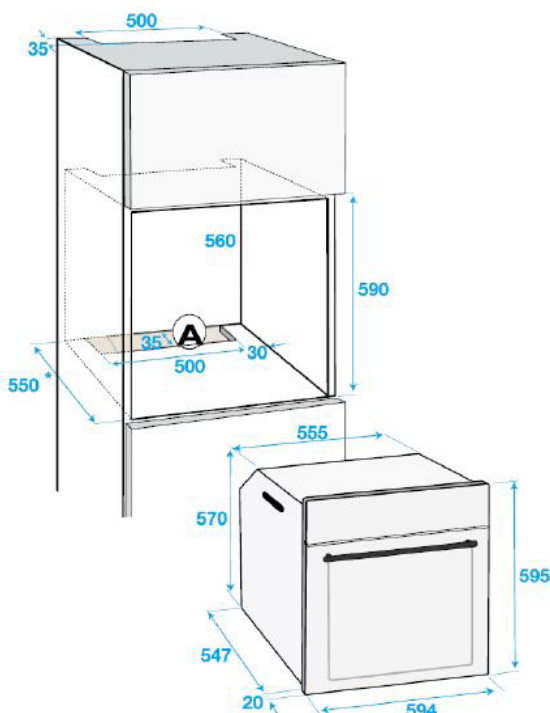


Large Capacity - We understand how busy your home life can get and how important it is to be able to cook more food in one go. Our large capacity ovens come in a huge 85 litres gross capacity, so you can cook everything you need for your family & friends.



Catalytic Panels & Easy Clean Door - Offering an easy cleaning solution, the interior side & back has catalytic panels, absorbing grease & dirt. Cleaning your oven's door has never been easier with Beko's easy-to-remove inner glass door. Free of bolts you can comfortably slide the glass door out to help you clean even those hard-to-reach places.

Cabinet Dimensions



Under Counter Dimensions

