

# Freestanding Cooker, Induction, 90cm, 5 Zones with SmartZone, Self-cleaning

Series 9 | Classic

Red



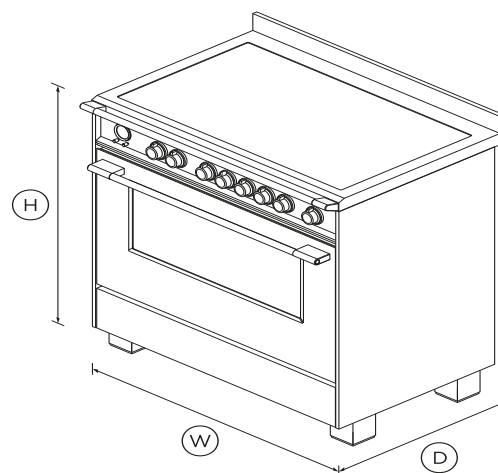
With large oven and cooktops that can be paired to create an expansive cook zone, this is a range made for those who love to cook.

- Five cooking zones that can be bridged to form SmartZones
- Convection oven with 140L total capacity, nine oven functions plus rotisserie, including Pastry Bake with pizza mode and rapid proof for making bread
- Non-tip full-extension shelves for safe removal of hot dishes

- High-temperature self-cleaning function breaks down food residue for an easy clean

## DIMENSIONS

Height	896 - 946mm
Width	897mm
Depth	600mm



## FEATURES & BENEFITS

### MULTI-SHELF COOKING

Our AeroTech™ system circulates air evenly throughout the entire oven so dishes on the top shelf turn out just as perfectly as food cooking on the bottom shelf.

### QUALITY AND DURABILITY

Every detail has been carefully crafted. The solid, perfectly

balanced soft-close door, durable cooktop and glowing halo dials all add up to an exceptional, premium range.

### POWER & CONTROL

Instant and immediate control from the highest to the gentlest heat. The finely tuned cooktop controls let you sear, stir fry or simmer a delicate sauce to perfection.

### EASY TO CLEAN

Cleaning up spills is effortless. Your cooktop simply needs a quick wipe to keep it looking good as new. The pyrolytic self-clean oven cycle breaks down food residue at a very high temperature, leaving a light ash that's easily removed with a damp cloth.

### EVEN HEAT

Accurate, electronically-controlled oven heat ensures a great result every time.

### LARGE CAPACITY OVEN

The generous 140L total capacity oven gives you plenty of space to cook multiple dishes at once.

### LARGE, FLEXIBLE COOKING AREA

SmartZone links two cooking zones and controls them as one, giving you the flexibility to use large pans and griddles and easily handle bigger food items such as a whole fish.

## SPECIFICATIONS

### Accessories

Flat wire shelf	1
Full Extension Telescopic	2 sets (part 578744)
Full extension sliding shelves	2 sets (part 578744)
Grill rack	•
Kick strip, red (optional)	KICKOR90R1
Roasting dish	1
Rotisserie set	1 set

Step down wire shelf •

**Capacity**

Shelf positions **6**  
 Total capacity **140L**  
 Usable capacity **121L**

**Cleaning**

Acid resistant graphite enamel •  
 Drop down grill element •  
 Flat easy clean glass surface •  
 Pyrolytic proof shelf runners •  
 Pyrolytic self-clean •  
 Removable oven door •  
 Removable oven door inner •  
 Removable shelf runners •

**Controls**

Audio feedback •  
 Automatic cooking/minute •  
 Automatic pre-set •  
 Celsius/Fahrenheit •  
 Electronic clock •  
 High resolution display •  
 Laser etched graphics •  
 Precise electronic temperature •  
 Sabbath mode •  
 Toughened fused glass •  
 Turned stainless steel clock •  
 Turned stainless steel clock •

**Oven features**

AeroTech™ technology •  
 Automatic rapid pre-heat •  
 Bright chromed, cast zinc dials •  
 Electronic oven control •  
 Internal light **4 x 25W halogen (2 side & 2**  
 Soft open/close door •  
 True convection •  
 Twin cavity fans •  
 Warming drawer •

**Oven functions**

Bake •  
 Fan bake •  
 Fan forced •  
 Fan grill •  
 Grill •  
 Number of functions **9**  
 Pastry Bake with Pizza mode •  
 Pyrolytic self-clean •  
 Rapid proof •  
 Roast •  
 Rotisserie •  
 True convection •

**Oven performance**

CoolTouch door **Quadruple glazed**  
 Warming drawer power **202W**

**Power requirements**

Amperage **68A**  
 Supply frequency **50Hz**  
 Supply voltage **220 - 240V**

**Product dimensions**

Depth **600mm**  
 Height **896 - 946mm**  
 Width **897mm**

**Cooktop Features**

Auto heat reduce •  
 Dual colour display •  
 Gentle heat •  
 Heat settings **9**  
 Hob rail •  
 Induction cooking technology •  
 SmartZone **1**  
 Zone bridging •

**Cooktop Performance**

Centre **2300W**  
 PowerBoost •

**Safety**

Advanced cooling system •  
 Anti-tilt bracket •  
 Balanced oven door •  
 Catalytic venting system •  
 Child lock •

- CoolTouch door
- Full extension telescopic
- Non-tip shelves
- Pan detection system
- Safety time out
- Spillage auto off
- Surface hot indicators

---

#### Warranty

Parts and labour **2 years**

---

SKU 81696

---

The product dimensions and specifications in this page apply to the specific product and model. Under our policy of continuous improvement, these dimensions and specifications may change at any time. You should therefore check with Fisher & Paykel's Customer Care Centre to ensure this page correctly describes the model currently available. ? Fisher & Paykel Appliances Ltd 2020

---

#### Other product downloads available at fisherpaykel.com

- [↓](#) Service & Warranty
- [↓](#) User Guide
- [↓](#) User Guide
- [↓](#) Installation Guide - Kick Strip
- [↓](#) Installation Guide



#### A PEACE OF MIND SALE

24 Hours 7 Days a Week Customer Support

T 1300 650 590 W [www.fisherpaykel.com](http://www.fisherpaykel.com)