

QUATRUS R15 340/340-IU

Double Bowl Inset & Undermount Sink



QUATR153434IUUK5



Key Features

Engineered in Germany

Over 90 years of Stainless Steel know-how make Blanco one of the world leaders in sink manufacturing, which translates to superior products for your home.

18/10 Surgical Grade Brushed Stainless Steel

Engineered from surgical grade brushed stainless steel and with Blanco's brushed finish, this sink is the ultimate food preparation area.

27L capacity bowls

Accommodates the largest of baking trays, woks and other bulky kitchen utensils.

Tight radius corners

The small radius maximises usable space in the bowl to allow for larger pots and pans.

Integrated overflow

No overflowing of the main bowl.

Accessories

Optional

- ANDCOLSS Stainless Steel Colander
- ANDCUTGCB Glass Cutting Board
- ANDDRAINSS Stainless Steel Drainer Tray
- BDRAINP Plastic Drainer Tray
- BUCRBSS Stainless Steel Crockery Basket
- BWCB Wooden Chopping Board

Specifications

Method of Installation: Inset and Undermount

Bowl capacities: 27L

Standard inclusion: Designer waste and overflow

Dimensions

Overall dimensions (mm):

745w x 400d x 200h

Inset Cut-out dimensions (mm):

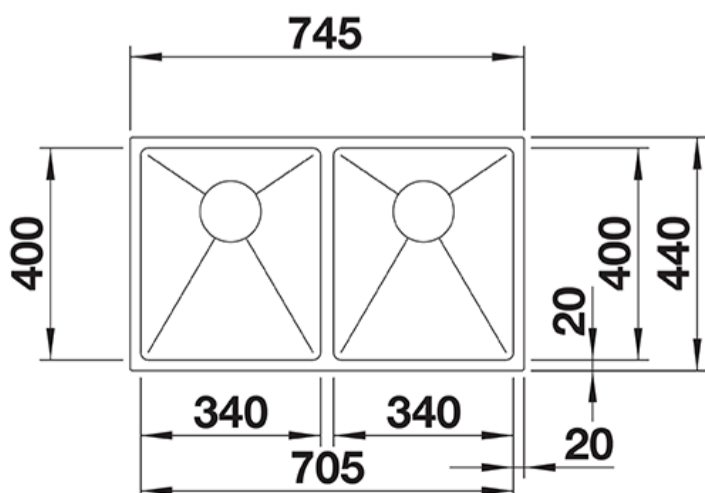
715w x 410d (refer to CAD drawing on the website for corner radii)

Undermount Cut-out dimensions (mm):

705w x 400d (refer to CAD drawing on the website for corner radii)

Warranty

30 years



*Due to continual product development the information provided is not final and may be subject to change.

**Measurements are within 2/3mm of factory tolerance. It is advisable to check dimensions of physical product when measuring for installations and before doing any cut outs.