

HITACHI



Hitachi Tumble Dryer Heat Pump

Intelligent Series

The Art of Ease

Product Code TD-90XKVEUVM



Intelligent Dry

Intelligent Drying in our **Heat Pump dryer** uses advanced sensors to deliver fast, gentle, and **energy-efficient drying** without damaging your clothes. **Temperature and humidity sensors** monitor the environment and laundry conditions in real time, adjusting temperature level to **protect delicate fabrics and prevent overheating**. The motor movement sensor ensures **optimal drum rotation**, preventing clothes from tangling or clumping for even drying.

Together, these smart features deliver **precise care for every load**, from everyday items to sensitive garments like wool, shirts, and downwear.

Intelligent Dry



Dryness Level



Temperature



Drum Rotation



UV Technology

Hitachi's UV Technology delivers powerful cleaning and sanitizing benefits for your laundry. The UV Hygiene program combines ultraviolet light and heat to effectively eliminate up to 99.99% of common bacteria like Staphylococcus aureus and E. coli, helping protect your family's health. Meanwhile, the UV Refresh program revitalizes clothes without water or detergent, using heat to sanitize and remove odors—perfect for garments that just need a quick freshen-up. UV Technology offers enhanced hygiene, convenience, and fabric care for your garments.

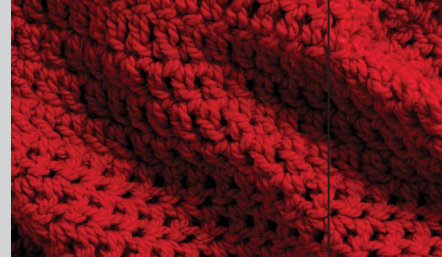
Inverter Motor

Efficient
Inverter
Motor

Hitachi Tumble Dryers with inverter motor technology provide high efficiency, high durability, and low noise levels. Inverter motors outperform non-inverter motors by 25%**.

Wool Program

Today's advanced appliances offer a dedicated Wool Program, designed to gently regulate drum movements, ensuring machine-washable wool items are dried with meticulous care eliminating concerns about shrinkage or damage of your treasured woolens.



Wifi Connectivity

Control your laundry remotely Control and monitor the Hitachi washing machine from anywhere with Homewhiz; a smart home application that provides a professional assistant to make your life easier!



Low Noise Level

Our Hitachi Heat Pump dryer operates at a quieter sound level, making it ideal for households where peace and quiet are valued. It allows you to run laundry cycles at any time of day or night without disturbing sleep, conversations, or work-from-home routines.



Double Layer Filter

Hitachi's innovative 2-in-1 filter system streamlines this cleaning process by merging the lint and condenser filters into a single, dual-layer unit, enhancing both convenience and efficiency.



Drum Light

Hitachi's interior LED light makes loading and unloading your laundry easier by lighting up the inside of the drum, which helps you easily spot those smaller items that may get left behind.



HITACHI

5
YEARS

PRODUCT
WARRANTY

HITACHI

10
YEARS

MOTOR
WARRANTY

*Tested by 3rd Party using the "UV Hygienic Drying " program (load 5.0kg) . Proven to effectively reduce 99.99% of Staphylococcus aureus (99.99%) and Escherichia coli. (99.98%)

** Comparison is based on performance rating with respect to induction motor under similar load conditions.

Specification



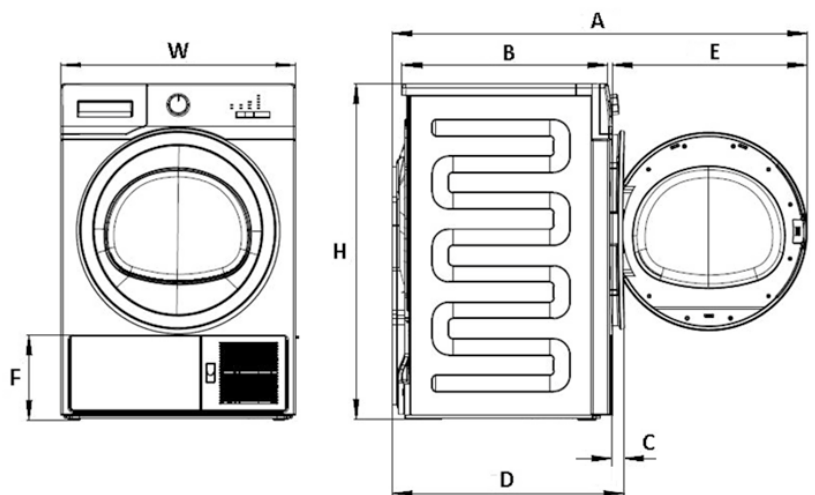
Model		TD-90XKVEUVM
Type		Freestanding Heat Pump Dryer
Capacity	Drying Capacity	9 kg
General	Colours Available	Volcanic Grey
	Interface	Touch LED Display
	Inverter Motor	●
	Direct Drain	●
Performance	Energy Consumption	129 kWh per year
	Noise Level	61 dBA
	Energy Rating	9 Star
Features / Functions	Drum Light	●
	Time Delay	●
	Remaining Time Indicator	●
	Reversible Door	●
	Filter Cleaning Indicator	●
	Water Tank Full Indicator	●
	Reverse Drum Mode	●
	Auto - Anticreasing	●
Programs	Number of Programs	14
	1	Cottons
	2	Cottons Eco Dry
	3	Synthetics
	4	Mix
	5	Wool
	6	Jeans
	7	Download Program
	8	Time Dry
	9	Silent
	10	Duvet/Downwear
	11	Gentle Care
	12	Daily Express
	13	UV Hygiene
14	UV Refresh	
Download Programs	1	Bedding
	2	Lingerie
	3	Towel
	4	Refresh
	5	Outdoor Sports
Auxiliary Functions	1	Adjustment to Dryness Level
	2	Drum Light

Specification

Model		TD-90XKVEUVM
		Freestanding Heat Pump Dryer
	SKU	7188383350
	EAN	8690842696770
	Warranty	5 Years Manufacturers Warranty
	Matching Washing Machine	BD-90XKVEADM or BD-120XKVEADM
	Compatible Stacking Kit	NBSKWS60M
Dimensions (mm)	Width	598
	Depth	674
	Height	846
Weight (Net/Gross, kg)		47.5 / 51.0

Installation Diagram

W	D	H	A	B	C	E	F	Units
598	675	846	1157	586	30	508	217	mm



Matching 9kg Autodose Washing Machine | BD-90XKVEADM



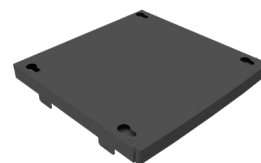
- 9kg capacity
- 14 programs
- 4.5 star energy rating / 4.5 star water rating
- Auto detergent dosing
- Dirt & rinse sensor
- Inverter Motor
- Refreshing Steam Program
- Hygiene Program
- Tub Clean Program
- Drum Light
- Aquastop
- Wifi Connectivity (download programs)
- HxWxD(mm): 845 x 600 x 580

Matching 12kg Autodose Washing Machine | BD-120XKVEADM



- 12kg capacity
- 14 programs
- 4.5 star energy rating / 4.5 star water rating
- Auto detergent dosing
- Dirt & rinse sensor
- Inverter Motor
- Refreshing Steam Program
- Hygiene Program
- Tub Clean Program
- Drum Light
- Aquastop
- Wifi Connectivity (download programs)
- HxWxD(mm): 845 x 600 x 580

Compatible Stacking Kit | NBSKWS60M



- 60cm Depth
- Stacking Kit with Shelf
- Easy Installation
- 40cm shelf when pulled out
- Shelf holds up to 20kg
- HxWxD(mm): 60 x 600 x 600

- Specifications and designs are subject to change without notice.
- Colour tone of actual products may differ from those shown.
- Feature images are for illustrative purposes only, they may not reflect the actual product.

Beko A&NZ Pty Ltd
Official Distributor of Hitachi Home Appliances

55 Blanck Street, Ormeau QLD 4208
www.hitachi-homeappliances.com/au-en