

VS  
SASSOON



# NOURISHOLOGY 40MM CURLER

## **INSTRUCTION BOOKLET**

Please ensure you read & follow the styling instructions  
before using for the first time.

VSC40A

**NEVER  
UNDERESTIMATE  
THE POWER OF  
A WOMAN WITH  
GOOD HAIR**

**SEE AMAZING, BE AMAZING**

For all our style tutorials  
check us out online  
[vssassoon.com.au](http://vssassoon.com.au)





# IMPORTANT SAFETY INSTRUCTIONS

The following safety precautions should always be followed when using electrical appliances, especially when children are present in your household. Please read these instructions carefully & keep for future reference.

Polythene bags over product or package may be dangerous. To avoid danger of suffocation, keep this wrapper away from babies & children. This bag is not a toy.

## **DANGER:**

- Do not use this appliance in or near bathtubs, showers, basins or other vessels containing water - keep the appliance dry.
- When this appliance is used in a bathroom, unplug it after use given the proximity of water hazards are present even when the appliance is switched off.
- Do not immerse the appliance into water or other liquids.
- If this appliance falls into water, unplug it immediately - **DO NOT REACH INTO THE WATER.**
- This appliance is a burn hazard. Keep appliance out of reach from young children particularly during use & cool down.
- Always place the appliance with the stand, if any, on a heat-resistant, stable flat surface.



## **WARNING: Before & During Use**

- Before using, always ensure that the voltage marked on the appliance is the same as your local power voltage.
- If the appliance is designed to be connected to a detachable power supply (otherwise known as a charger or adaptor), the appliance must only be used with the power supply it was sold with.
- Do not operate this appliance or disconnect from the power supply with wet hands.

- Never use this appliance at the same time as styling products such as aerosols (spray).
- Be very careful when handling this appliance as parts of it may get extremely hot.
- Do not place the appliance on any heat sensitive surfaces or near flammable materials or objects.
- Keep the cord away from heated surfaces.
- Never block the air openings of the appliance or place on a soft surface such as a bed or couch where the air openings may be blocked - keep the air openings free of lint & other debris.
- Do not cover this appliance with anything when it is switched on or hot.
- To avoid electric shock, do not drop or insert any object into an opening in this appliance.
- This is a high heat appliance. Care must be taken to avoid the hot surfaces of the appliance coming into direct contact with the skin, in particular the eyes, ears, face & neck.
- Do not use extension cord with this appliance.

**WARNING: Storage & Maintenance**

**Always unplug the appliance immediately after use & before cleaning or maintenance.**

**Do not wrap the power cord tightly around the appliance when storing. This causes undue strain on the power cord & protective guard. Over time, this will damage the power cord resulting in an unsafe condition to the user.**

- If the power cord is damaged it must be replaced by the manufacturer, its service agent or similarly qualified persons in order to avoid a hazard.
- Do not leave the appliance unattended when plugged in or switched on.
- Always allow the appliance to cool down before storing away in a location where children cannot reach it.
- Do not store or place this appliance in a location where it can fall or be pulled into a bath or sink.

- Never operate this appliance if it has been dropped or damaged, or if it is not working correctly.
- If this appliance is serviced by an unqualified person this could result in an extremely hazardous situation for the user. Contact Conair Customer Service if you have any issues operating your appliance.

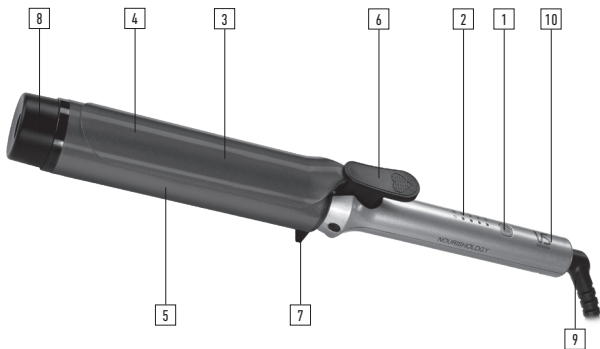
**CAUTION:**

- This appliance is not intended for use by infirm persons (including children) with reduced physical, sensory or mental capabilities, or lack of experience & knowledge unless they have been given supervision or instruction concerning use of the appliance by a person responsible for their safety.
- Children should be supervised to ensure they do not play with the appliance.
- Use this appliance only for its intended use & as described in this instruction booklet. This appliance is not intended for commercial use.
- Do not use any attachments other than those supplied by Conair Australia Pty Ltd.
- For additional protection, the installation of a residual current device (RCD) with a rated operating current not exceeding 30mA is advisable in the electrical current circuit supplying the bathroom - ask your installer for advice.

# NOURISHOLOGY 40MM CURLER

## AMAZING CHOICE!

Create soft, carefree curls & waves or added texture with this big barrel 40mm curler & easy-to-use spoon. Personalise to suit your hair type with the 5 hair-friendly heat settings, while the infusion of Argan, Coconut & Aloe Vera Oils + Keratin Ceramic-Ionic help's bring out your hair's full beauty.



- |  |   |
|--|---|
| <ol style="list-style-type: none"> <li>1. On/Off &amp; temperature adjustment button</li> <li>2. 5 LED heat settings - 120°C, 140°C, 160°C, 180°C, 200°C</li> <li>3. Micro-Infused Conditioning</li> <li>4. Keratin Ceramic-Ionic</li> </ol> | <ol style="list-style-type: none"> <li>5. 40mm barrel</li> <li>6. Thumb rest</li> <li>7. Built-in stand</li> <li>8. Cool tip</li> <li>9. Swivel power cord</li> <li>10. Safety auto-shut off</li> </ol> |
|--|---|

## **MICRO-INFUSED CONDITIONING**

Micro-Infused Conditioning is specially curated with a blend of 3 coatings on the barrel to help nourish & hydrate hair.

This conditioning combines:

- Argan Oil - a natural oil derived from the kernels of the argan tree that are native to Morocco. It is known to help restore shine & is widely used in hair treatments.
- Coconut Oil - an oil derived from fresh coconuts. It is known to help strengthen hair and protect from the elements.
- Aloe Vera Oil - an oil derived from aloe vera leaves. It is known to help moisturise & hydrate for healthy looking hair.

## **KERATIN CERAMIC-IONIC**

The Keratin Ceramic-Ionic coating combines an infusion of Keratin & Ceramic coating on the barrel to tame & smooth frizz + ensures even, efficient & less damaging heat.

Keratin contains proteins & vitamins that are coated on the barrel & effortlessly passed onto the hair cuticles to assist in the strength of your hair, while the Ceramic coating keeps your hair looking healthy & shiny by maintaining even heat during the styling process. Static is reduced by quickly sealing the hair cuticle layer, ensuring minimal frizz & making your hair easier to manage.

# HOW TO USE THE NOURISHOLOGY 40MM CURLER

## **IMPORTANT:**

Hair that has been heavily bleached or chemically treated should only use the low heat setting on this product. Please consult your hairdresser on using heated appliances if you have any concerns about the condition of your hair.

## **CAUTION:**

This is a high-heat appliance. Care must be taken to avoid the hot surfaces of the appliance coming into contact with the skin (e.g. scalp, neck ears, face, etc.) as the barrel can, particularly if held too close, cause discomfort or even burn.

Keep appliance out of reach from young children particularly during use & cool down. Never leave this appliance in a place where young children could access it.

## **BEFORE USING**

- Remove all packaging & point of sale labels before use.
- Remove plastic cover from plug before use (used to protect it from damage during transportation).

# OPERATING INSTRUCTIONS

Wash, condition & dry your hair as normal.

Ensure your hair is combed through & tangle-free.

1. Plug your curler into a 220-240V- suitable power outlet & place on a heat protective, flat level surface.
2. Turn the curler on by holding down on the "I/O" button for 1-2 seconds. The default 160°C setting with white indicator light will turn on & start to flash. At this point your curler will start heating up.
3. To select a heat setting suitable for your hair type, press the "I/O" button until the desired heat setting is selected.
4. Once the temperature you have selected has been reached, the white light will then stop flashing.
5. Divide your hair into equal sections & comb section once more before curling.
6. Press down on the clamp lever, place the curling tong half way up the section of hair & distribute the hair evenly between the clamp & tong. Gently pull the curling tong down to the tips of your hair.
7. Wind the section as far as you want curled (being careful not to let the curling tong touch the scalp). Hold in place for a few seconds depending on temperature & length of your hair.
8. Unroll once the hair is warm (not hot) to the touch by pressing down on the clamp lever to release your hair.
9. Repeat this through all sections.
10. After use, turn your curler off by pressing the "I/O" button.
11. To 'set' your curls, wait until your hair is completely cooled before brushing or combing through.

Allow curler to cool before storing.

## VARIABLE HEAT SETTINGS

Please ensure you choose the required temperature setting according to your particular need & hair type.

<b>SETTINGS/ TEMPERATURE</b>	<b>HAIR TYPE</b>
120°C	Delicate, fine, bleached hair
140°C	Average to thick treated hair
160°C	Normal, thick or wavy hair
180°C	Hard to style, thick hair
200°C	Hard to style, very thick hair

## AUTOMATIC SHUT-OFF

This curler has an automatic shut-off feature for added safety. If the curler is switched on for more than 60 minutes continuously, it will automatically switch off.

# HOW TO STYLE WITH THE NOURISHOLOGY 40MM CURLER

## TIGHT BOUNCY CURLS

For a sleek, glamorous look; Roll less hair in sections, in the same direction.

## FREE-FLOWING CURLS

For a more voluminous look; Roll more hair in sections, alternating from wrapping sections of hair under & over the curling tong so that the curls bounce off each other.

## EXPERT TIP

Set your style with a spritz of light hold hair spray, for extra hold if needed.

## SEE AMAZING, BE AMAZING

For all our style tutorials  
check us out online  
[vssassoon.com.au](http://vssassoon.com.au)



## **CLEANING & MAINTENANCE**

Your curler is designed for household use & is virtually maintenance free. If cleaning becomes necessary, unplug the curler from the power outlet & ensure the curler is cool before wiping with a damp cloth. If any abnormal conditions occur contact Conair Customer Service.

## LIMITED 2 YEAR WARRANTY

Retain this section of the warranty card with your receipt/proof of purchase. You must present it to obtain replacement or service under the warranty.

**The warranty may only be claimed where proof of original purchase is presented, i.e. original purchase receipt or invoice.**

**Attach a copy of your purchase receipt and store in a safe place.**

To make a warranty claim, call Customer Service on the phone number or email below. Or you can return the defective product back to the place it was purchased where it will be replaced (see point 12 of paragraph C. Conditions).

**Please provide the following details:**

1. Date of purchase
2. Retailer name & location
3. Product name/model number
4. Confirm you have your purchase receipt
5. Detail the problem with your product

**Conair Australia Pty Ltd**

PO Box 146  
Terrey Hills  
NSW 2084

**Customer Service**

Australia  
1800 650 263  
email: [aus\\_info@conair.com](mailto:aus_info@conair.com)

**Conair New Zealand Ltd**

PO Box 251159  
Pakuranga, Auckland  
New Zealand 2140

**Customer Service**

New Zealand  
0800 266 247  
email: [aus\\_info@conair.com](mailto:aus_info@conair.com)

## **WARRANTY AGAINST DEFECTS**

### **A. AUSTRALIAN CONSUMER LAW**

1. Our goods come with guarantees that cannot be excluded under the Australian Consumer Law. You are entitled to a replacement or refund for a major failure and compensation for any other reasonably foreseeable loss or damage. You are also entitled to have the goods repaired or replaced if the goods fail to be of acceptable quality and the failure does not amount to a major failure.
2. The guarantees under the Australian Consumer Law (“ACL”) are provided in sections 51 to 59 inclusive of the ACL (“Statutory Guarantees”) and the remedies are provided in sections 259 to 266 inclusive of the ACL (Statutory Remedies).

### **B. VS SASSOON EXTENDED WARRANTY**

1. In addition and subject to the Statutory Guarantees and Statutory Remedies, the following express warranty (“Warranty”) commences from the date of purchase and continues for a period of **24** months (“Warranty Period”) after which it expires. Subject to the conditions in Section C below, Conair warrants to the original purchaser (“Purchaser”) of the VS Sassoon product that is the subject of this warranty (“Product”) that if during the Warranty Period, the Product suffers from any defect caused by faults in materials or workmanship, Conair will a) replace the Product, or b) exchange defective parts in the Product or c) repair the Product, as Conair may choose in its discretion (“Warranty”). In this Warranty “Conair” means Conair Australia Pty Limited (ABN 64 068 492 044) of The Equinox Centre, Suite 101, 18 Rodborough Rd, Frenchs Forest, NSW, 2086. in relation to Products purchased in Australia and Conair New Zealand Ltd in relation to Products purchased in New Zealand.
2. To honour the Warranty, Conair must replace, or exchange parts in, or repair, the Product, as Conair determines, in accordance with paragraph B1 above, subject always to the conditions in Section C below.
3. If any of the conditions in Section C below are inconsistent with any provisions of the ACL or regulations made thereunder, those provisions of the ACL or regulations shall prevail to the extent of the inconsistency.

### **C. CONDITIONS**

1. The Product must be used in accordance with manufacturer's instructions. This Warranty does not apply should the defect in or failure of the Product be attributable to misuse, abuse, accident, act of God such as lightning, or nonobservance of manufacturer's instructions on the part of the user. This Warranty does not cover ordinary wear and tear in the Product or its parts.
2. Conair does not accept liability for a) any loss or damage however suffered, caused by or arising out of any failure to use the Product in accordance with the manufacturer's instructions, and b) any indirect, consequential or economic loss or damage however caused.
3. This Warranty is immediately void if – a) any serial number or appliance plate is removed or defaced, b) the Product has been serviced or otherwise repaired by a person not authorized to do so by Conair or where non approved replacement parts are used.
4. The Product is designed for domestic use only. The Product must be connected to the electrical voltage supply as specified in the ratings label located on the Product. This Warranty does not cover defects arising from non-domestic use or incorrect voltage supply.
5. This Warranty may only be claimed against where proof of original purchase is presented, for example, original receipt or invoice.
6. Any parts of the Product that need to be replaced, or if the whole Product needs to be replaced, the replaced Product, becomes the property of Conair. The Warranty on any replacement Product or parts will expire on the same date that the Warranty Period on the original Product expires.
7. The benefits provided by this Warranty are in addition to all other rights and remedies in respect of the Product which the Purchaser has under the ACL, and applicable laws in New Zealand, which rights and remedies by law may not be excluded. All other warranties and representations express and implied are hereby excluded.
8. The defect must have occurred during the Warranty Period and Purchaser bears the onus of proving that fact, and that the defect was not caused by any of the causes excluded from this Warranty.
9. This Warranty does not cover Products purchased from any person who is not a retailer serviced by Conair's authorised distributors or purchased second hand.

10. The Purchaser is responsible for all postage and freight charges and any other expenses incidental to claiming against this Warranty.
11. The Warranty excludes consumable items (such as blades or brushes) and normal wear and tear.
12. If you're certain your product is defective, and the product is covered by the terms of this warranty, you need to take the product back to the place you purchased it from, where the retailer will replace the product for you on our behalf. In this event, per the terms of this warranty you will need to present this portion of the warranty card and the purchase receipt as proof of purchase so please make sure you keep both this card and your receipt on hand for the duration of the warranty period.

### **SPARE PARTS**

Replacement parts may be available for your product. Contact us on the phone or email address provided for more details. Please provide your product name/model number details, date of purchase and part you require.





Certain trademarks used under license from The Procter & Gamble Company or its affiliates.

©2023 Conair Australia Pty Ltd  
Suite 101, 18 Rodborough Rd  
Frenchs Forest NSW, 2086  
Australia

Conair New Zealand Limited  
PO BOX 251159  
Pakuranga, Auckland 1706  
New Zealand

**CONTACT US:**

For advice, tips on your new VS product  
E-mail us on: [aus\\_info@conair.com](mailto:aus_info@conair.com)

**CUSTOMER SERVICE:**

Australia: 1800 650 263  
New Zealand: 0800 266 247

[vssassoon.com.au](http://vssassoon.com.au)

VSC40A

**SEE**  
AMAZING  
**BE**  
AMAZING