

N 70, BUILT-IN FRIDGE-FREEZER WITH FREEZER
AT BOTTOM, 177.2 X 55.8 CM, SOFTCLOSE FLAT
HINGE
K17863D30A



The bottom freezer with VitaFresh plus drawer: keeps your fruit and vegetables fresher for longer.

- ✓ Fresh Safe – Ideal storage for fruit and vegetables.
- ✓ Adjustable Glass Shelves – Height adjustable shelves create the space you need for inspiring dishes in your fridge
- ✓ No Frost – No more defrosting your freezer.
- ✓ LED Light – Pleasantly bright light in the entire fridge with long-life LEDs.
- ✓ Damped Hinge – Enjoy the soft silence. The door will softly close itself once the angle reaches 20°.

Annual energy consumption AU: 276 kWh
 Freezer Net capacity: 67 l
 Built-in / Free-standing: Built-in
 Door panel options: Not possible
 Height: 1772 mm
 Width of the appliance: 558 mm
 Depth of the product: 545 mm
 Required niche size for installation (HxWxD): ... 1775x560x550 mm
 Net weight: 72.8 kg
 Fuse protection: 10 A
 Door hinge: Right reversible
 Voltage: 220-240 V
 Frequency: 50 Hz
 Length electrical supply cord: 230 cm
 Storage Period in Event of Power Failure: 9 h
 Number of compressors: 1
 Number of independent cooling systems: 2
 Interior ventilator: Yes
 Reversible Door Hinge: Yes
 Number of Adjustable Shelves in fridge compartment: 4
 Shelves for Bottles: Yes
 Frost free system: Freezer
 Installation type: Fully Integrated



N 70, BUILT-IN FRIDGE-FREEZER WITH FREEZER
AT BOTTOM, 177.2 X 55.8 CM, SOFTCLOSE FLAT
HINGE
K17863D30A

- No Frost, Fridge/freezer combination built in

Performance & Consumption

- 3.5 Energy Stars Rating, 276 kWh energy consumption per year

Design

- LED interior light in fridge section

Convenience & Safety

- 7 segment electronic control
- Constant temperature by intelligent sensor technology
- SuperCool function with automatic deactivation - Automatically brings down the temperature of the refrigerator to cool new groceries rapidly
- SuperFreezing function - Automatically brings down the temperature of the freezer to cool new items rapidly
- Holiday mode
- Acoustic door open alarm
- Active Warning System by Temperature increase, Failure Memory Function

Shelving & Compartments

- 5 safety glass shelves (4 height adjustable), 1 Extendable glass shelf
- 5 door bins, 1x dairy compartment
- 1 FreshSafe 2 drawer; High humidity retains nutrients up to two times longer.

Freezer Compartment

- No Frost - no more defrosting!
- Safety glass
- 3 transparent freezer drawers, incl. 1 Big Box

Dimensions

- Dimensions (H x W x D): 1772 mm x 558 mm x 545 mm
- Cut-out Dimension (H x W x D): 1775 mm x 560 mm x 550 mm

Technical Information

- Reversible door hinge
- Voltage 220 - 240 V
- Transportation handles

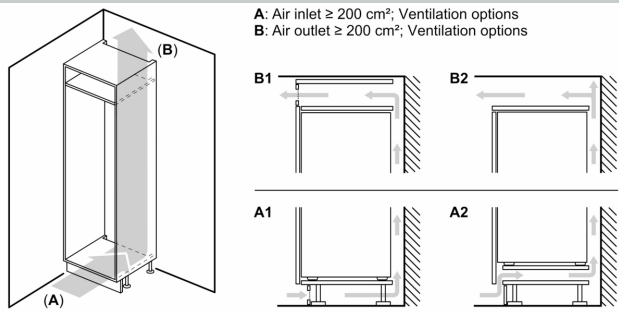
Accessories

- 2 x cold pack, ice cube tray
- bottle holder in door tray

Comfort

- Multi-airflow system - Minimises fluctuating temperatures by ensuring optimal and uniform air circulation in the fridge

N 70, BUILT-IN FRIDGE-FREEZER WITH FREEZER AT BOTTOM, 177.2 X 55.8 CM, SOFTCLOSE FLAT HINGE
K17863D30A



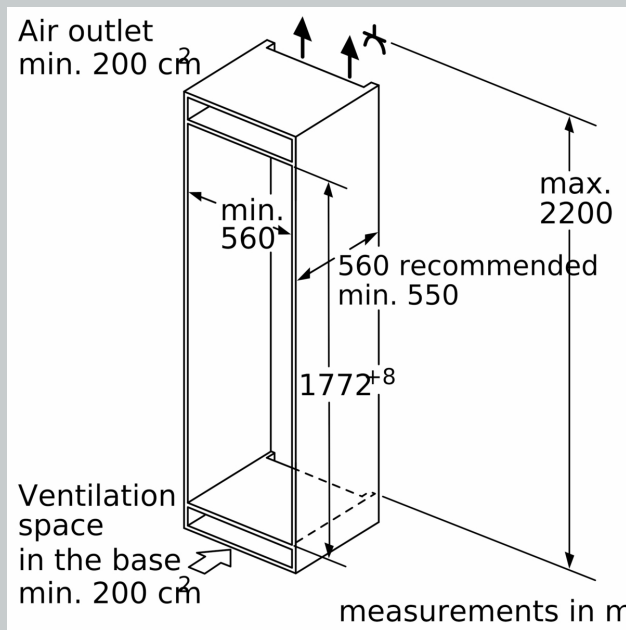
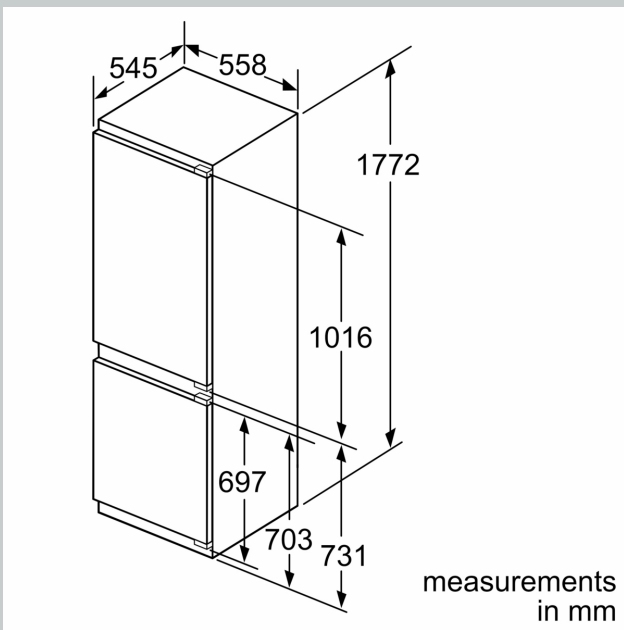
Maximal permissible weight of the unit fronts

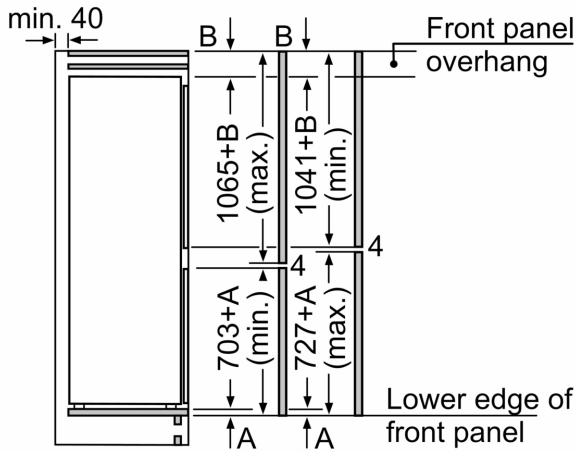
Fitted unit fronts that exceed the permissible weight may cause damage and result in functional impairment of the hinges

Δ Weight
A: Appliance door height including hinges in mm

B: Undamped hinge, unit front in kg
C: Damped hinge, unit front in kg
D: Additional possible load in kg with heavy load kit

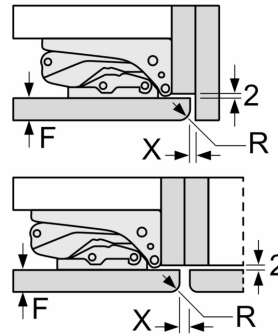
A	B	C	D
1500-1750	22	22	B+5 / C+5
720-1400	19	19	
A1	15	19	
A2	15	19	





The specified unit door dimensions are valid for a door gap of 4 mm.
 measurements in mm

measurements in mm
 Recommended gap dimensions for flat hinges



F	R	X
16-19	0-3	2.5
20	0-1	3
	2-3	2.5
21	0-1	3
	2-3	2.5
22	0	4
	1	3.5
	2-3	3

The gap dimensions recommended in the table must be adhered to in order to ensure that appliance doors do not collide with anything when they are opened, and to avoid causing damage to kitchen units.