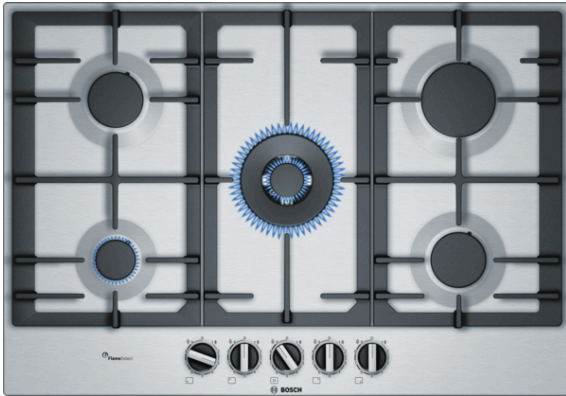


**Serie | 6, Gas cooktop, 75 cm,  
PCR7A5B90A**



**Included accessories**

1 x cross support for espresso  
1 x WOK attachment ring

**The stainless-steel gas cooktop with  
FlameSelect: achieve perfect cooking  
results thanks to nine precisely defined  
power levels.**

- **FlameSelect:** for a precise adjustment of the flame in nine defined levels.
- **Dual wok burner:** dual flame system for very powerful cooking at up to 19.5 Mj/h.
- **Continuous cast-iron pan support:** for high firmness and stability of cookware.
- **Sword knobs:** for an ergonomic control.
- **Surface colour:** Stainless steel

**Technical Data**

Product name/family :	gas hob w integrated controls
Construction type :	Built-in
Energy input :	Gas
Total number of positions that can be used at the same time :	5
Required niche size for installation (HxWxD) :	45 x 560-562 x 480-492
Width of the product (mm) :	750
Dimensions of the product (mm) :	45 x 750 x 520
Dimensions of the packed product (HxWxD) (mm) :	145 x 793 x 597
Net weight (kg) :	15.517
Gross weight (kg) :	17.0
Residual heat indicator :	without
Location of control panel :	Hob front
Basic surface material :	Stainless steel
Color of surface :	Stainless steel
Color of frame :	Stainless steel
Approval certificates :	Australia Standards, Australia Standards
Length electrical supply cord (cm) :	100
EAN code :	4242002914503
Electrical connection rating (W) :	1
Gas connection rating (W) :	12500
Current (A) :	3
Voltage (V) :	220-240
Frequency (Hz) :	60; 50



## Serie | 6, Gas cooktop, 75 cm, PCR7A5B90A

**The stainless-steel gas cooktop with  
FlameSelect: achieve perfect cooking results  
thanks to nine precisely defined power  
levels.**

---

### **Design**

- Stainless steel
- Enamelled cast-iron trivets with rubber feet

### **Comfort & Convenience**

- FlameSelect (9 steps)
- sword knobs
- One-hand electronic ignition via controls

### **Size & Power**

- 5 Gas burners
- Dual flame wok burner
- 1 High-speed, 2 Standard, 1 Economy, 1 Dual Wok Burner
- Left rear: Standard burner 6.85 MJ/h
- Right rear: High-speed burner 11 MJ/h
- Center front: Dual flame wok burner up to 19.5 MJ/h  
(depending on gas type)
- Left front: Economy burner 4 MJ/h
- Right front: Standard burner 6.85 MJ/h

### **Safety and Environment**

- Flame failure device fitted to each individual burner
- Preset to natural gas (10mbar)
- Preset to natural gas (10mbar)

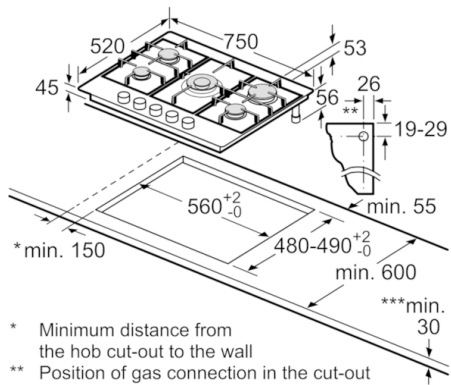
### **Dimensions (WxD)**

- Appliance dimensions: (W x D) 750 mm x 520 mm
- Installation dimensions: (H x W x D) 45 mm x 560 mm x 480 mm
- Power cord length 100 cm with plug

### **Supplied Accessories**

- Liquid gas nozzles (28-30/37mbar) included
- 75 cm Gas Cooktop, Stainless steel

**Serie | 6, Gas cooktop, 75 cm,  
PCR7A5B90A**



- \* Minimum distance from the hob cut-out to the wall
  - \*\* Position of gas connection in the cut-out
  - \*\*\* With fitted oven underneath, possibly more; see space requirements for the oven
- measurements in mm